



Made in the U.S.A. !

SAFETY

Your safety and the safety of others is very important.

- In order to help you make informed decisions about safety, we have provided installation instructions and other information.
- These instructions alert you to potential hazards that could hurt you or others.
- Please do a job safety analysis (JSA) before each task to identify potential hazards for your situation and remove/protect against them.
- You must use your own good judgment, and take your time.

Read and understand all safety precautions and instructions before installing this product.

THIS PRODUCT IS FOR OFFROAD USE ONLY. ALL LIABILITY FOR INSTALLATION AND USE RESTS WITH THE OWNER.

CARELESS INSTALLATION AND OPERATION CAN RESULT IN SERIOUS INJURY OR EQUIPMENT DAMAGE.

Injury Hazard

Failure to observe these instructions could lead to severe injury or death.

- Always** remove jewelry and wear eye protection.
- Always** use extreme caution when jacking up a vehicle for work. Set emergency brake and use tire blocks. Locate and use the vehicle manufacturers designated lifting points. Use jack stands.
- Always** use appropriate and adequate care in lifting components into place.
- Always** insure components will remain secure during installation and operation.
- Always** wear safety glasses when installing this kit. A drilling operation will cause flying metal chips. Flying chips can cause serious eye injury.
- Always** use extreme caution when drilling on a vehicle. Thoroughly inspect the area to be drilled (on both sides of material) prior to drilling, and relocate any objects that may be damaged.
- Always** use extreme caution when cutting and trimming during fitting.
- Always** tighten all nuts and bolts securely per installation instructions.
- Always** route electrical cables carefully. Avoid moving parts, components that become hot and rough or sharp edges.
- Always** insulate and protect all exposed wiring and electrical terminals.
- Always** perform regular inspections and maintenance on mounts and related hardware.

PATENT NOTE: There is one or more patent pending that covers this vehicle step assembly. Making or selling reproductions of the vehicle step assembly without prior written permission from Fab Fours Inc. is prohibited, except as allowed under the U.S. patent laws.

I. Overview

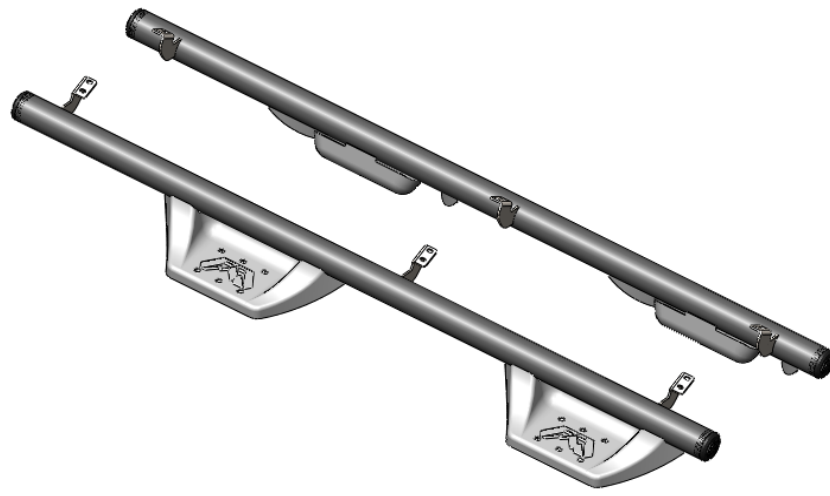
Congratulations on your new purchase of the industries' best and most stylish Side Step available for the Toyota Tacoma! These Side Steps have been **engineered** for strength.

Your Side Steps are designed in 3-D from digitized data, CNC laser cut, fabricated, and powder coated... all in the U.S.A.

Enjoy the fit and finish of quality Toyota Tacoma Side Steps from FabFours Inc.








Installation Instructions
Toyota Tacoma Side Steps “Cab Length”
 Product Number: J1003
 Application: 2005-2012 Toyota Tacoma Double Cab



II. Tools Required

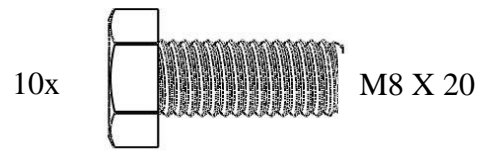
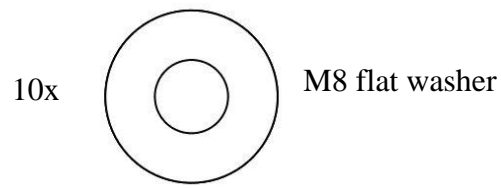
- Socket Wrench with 6” Extension
- 13mm socket
- Rubber mallet

III. Kit Contents

	QTY	DESCRIPTION	FAB FOURS PART NUMBER
	x 1	Driver-side Side Step	20392
	x 1	Passenger-side Side Step	20393
	x 4	End Cap	61367
	x 1	J1003 Hardware Kit	104749-HW
	x 1	J1003 Instruction Manual	J1003-IM

IV. Included Hardware

104749-HW





V. Removal of OEM Side Steps (if applicable)

1. From underneath the driver side of the vehicle, remove the OEM side steps using a socket wrench with a 13mm socket. Use a 6" extension if required.
 - a) The OEM steps are mounted using three (3) brackets on each side step.
 - b) Two (2) M8 fasteners go through each bracket to secure the step to the vehicle, and will be removed with a 13mm socket.
2. Support one end of the tube prior to removing all the fasteners on that end. Work your way down the step and remove the remaining fasteners
3. With all of the OEM bolts removed, the OEM side step can be removed from the vehicle and set aside.
4. Repeat steps 1) thru 4) above to remove the passenger side OEM side step.

NOTE: The FabFours Side Steps are shipped with a hardware kit that includes all required hardware to install your new FabFours Side Steps. OEM fasteners can be set aside for use if desired/required, but are not needed for regular installation of FabFours Side Steps.

5. After both OEM side steps are removed, the vehicle is ready to install your new FabFours Side Steps.

VI. Installation of FabFours Side Steps

1. Identify the driver side FabFours Side Step. The driver side FabFours Side Step is shown below:

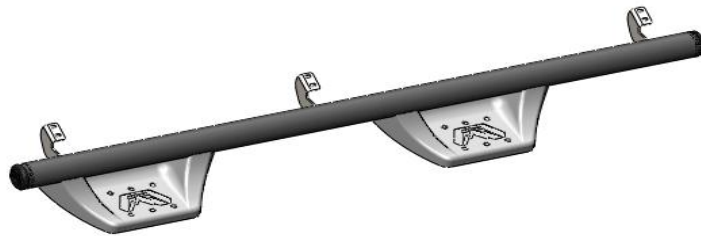
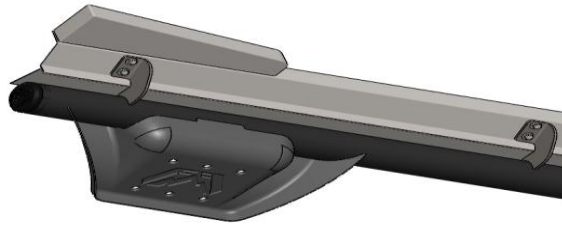


Figure 1 - DRIVER SIDE FABFOURS SIDE STEP

- From underneath the driver side of the vehicle, lift the FabFours Side Step to a position where the M8 bolts and washers can be installed. **Do not tighten!** With the step in place make any adjustment front to rear, and then proceed to tighten the bolts.



- Install End Caps (61367) on your FabFours Side Step with the logo level to the ground. If needed, a rubber mallet can be used to fully seat the end caps into the FabFours Side Step tube. See below:

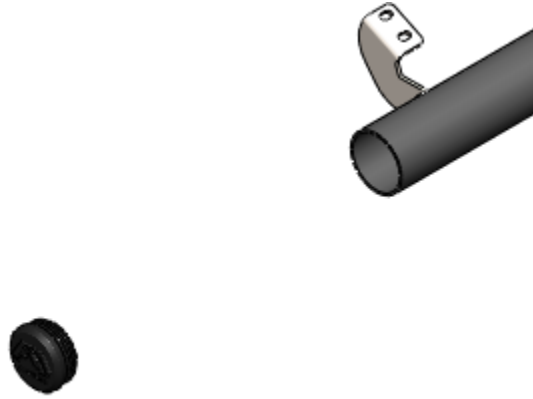


Figure 2 - INSTALLING THE FABFOURS SIDE STEP END CAPS

- Congratulations, your new FabFours Side Step has been installed successfully on the driver side of your vehicle!
- Identify the passenger side FabFours Side Step. The passenger side FabFours Side Step is shown below:

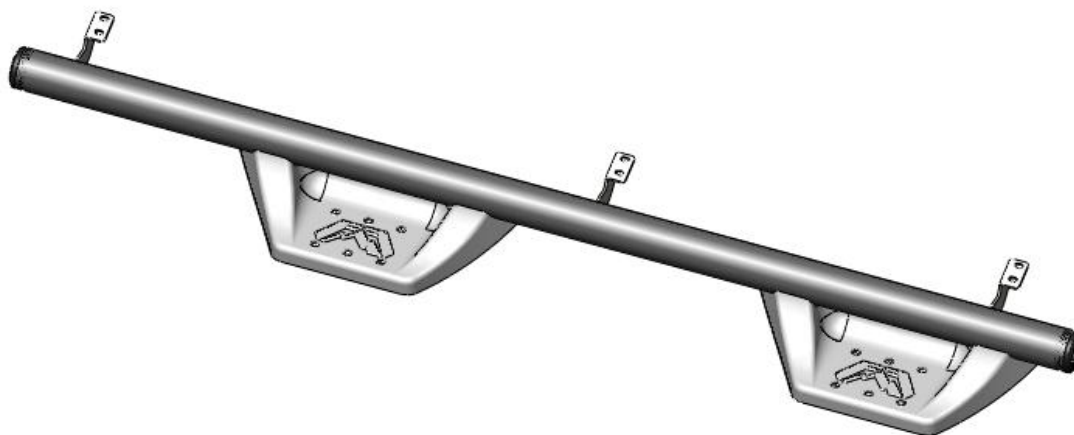


Figure 3 - PASSENGER SIDE FABFOURS SIDE STEP

- Repeat the above steps to install the passenger side FabFours Side Step.
- Congratulations, your new FabFours Side Step has been installed successfully on the passenger side of your vehicle!



Installation Instructions
Toyota Tacoma Side Steps "Cab Length"
Product Number: J1003
Application: 2005-2012 Toyota Tacoma Double Cab

VII. Maintenance/Care

- Periodically check and tighten all fasteners.
- Stripped, fractured, or bent bolts or nuts need to be replaced.
- After washing of the vehicle make sure to fully dry all surfaces

VIII. Contact Information

FabFours Inc.
1312 Camp Creek Rd
Lancaster, SC 29720

Phone (866)-385-1905
Fax (866)-574-1424
Email Support@fabfours.com



More than expected... Better than expected

Made in the U.S.A. !