



Installation Instructions

Tacoma Side Steps

Product Number: J1047

Application: 2016 Tacoma Double Cab

SAFETY

Your safety and the safety of others is very important.

- In order to help you make informed decisions about safety, we have provided installation instructions and other information.
- These instructions alert you to potential hazards that could hurt you or others.
- Please do a job safety analysis (JSA) before each task to identify potential hazards for your situation and remove/protect against them.
- You must use your own good judgment, and take your time.

Read and understand all safety precautions and instructions before installing this product.

THIS PRODUCT IS FOR OFFROAD USE ONLY. ALL LIABILITY FOR INSTALLATION AND USE RESTS WITH THE OWNER.

CARELESS INSTALLATION AND OPERATION CAN RESULT IN SERIOUS INJURY OR EQUIPMENT DAMAGE.

Injury Hazard

Failure to observe these instructions could lead to severe injury or death.

- Always** remove jewelry and wear eye protection.
- Always** use extreme caution when jacking up a vehicle for work. Set emergency brake and use tire blocks. Locate and use the vehicle manufacturers designated lifting points. Use jack stands.
- Always** use appropriate and adequate care in lifting components into place.
- Always** insure components will remain secure during installation and operation.
- Always** wear safety glasses when installing this kit. A drilling operation will cause flying metal chips. Flying chips can cause serious eye injury.
- Always** use extreme caution when drilling on a vehicle. Thoroughly inspect the area to be drilled (on both sides of material) prior to drilling, and relocate any objects that may be damaged.
- Always** use extreme caution when cutting and trimming during fitting.
- Always** tighten all nuts and bolts securely per installation instructions.
- Always** route electrical cables carefully. Avoid moving parts, components that become hot and rough or sharp edges.
- Always** insulate and protect all exposed wiring and electrical terminals.
- Always** perform regular inspections and maintenance on mounts and related hardware.



Installation Instructions

Tacoma Side Steps

Product Number: J1047

Application: 2016 Tacoma Double Cab

PATENT NOTE: There is one or more patent pending that covers this vehicle step assembly. Making or selling reproductions of the vehicle step assembly without prior written permission from Fab Fours Inc. is prohibited, except as allowed under the U.S. patent laws.

I. Overview

Congratulations on your new purchase of the industries' best and most stylish Side Step available for the 2016 Tacoma! These Side Steps have been **engineered** for strength.

Your Side Steps are designed in 3-D from digitized data, CNC laser cut, fabricated, and powder coated... all in the U.S.A.

Enjoy the fit and finish of quality Side Steps from FabFours Inc.





Installation Instructions

Tacoma Side Steps






Product Number: J1047

Application: 2016 Tacoma Double Cab

II. Tools Required

- Socket Wrench with 6" Extension
- 13mm socket
- 13mm open end wrench
- Rubber mallet

III. Kit Contents

	QTY	DESCRIPTION	FAB FOURS PART NUMBER
	x 1	Passenger-side Side Step	J1044
	x 1	Driver-side Side Step	J1044
	x 4	End Cap	61367
	x 1	J1004 Hardware Kit	J1004-HW
	x 1	J1047 Instruction Manual	J1047-IM

NOTE: The Fab Fours Side Steps are shipped with a hardware kit that includes all required hardware to install your new Fab Fours Side Steps. There are two extra bolts, washers, and lock washers for this assembly. OEM plugs and additional fasteners can be set aside for use if desired/required, but are not needed for regular installation of Fab Fours Side Steps.



Installation Instructions

Tacoma Side Steps

Product Number: J1047

Application: 2016 Tacoma Double Cab

IV. Installation of Fab Fours Side Steps

- 1) Install End Caps (61367) on your driver and passenger side Fab Fours Side Steps prior to installing steps on your vehicle. If needed, a rubber mallet can be used to fully seat the end caps into the Fab Fours Side Step tube.

See below:

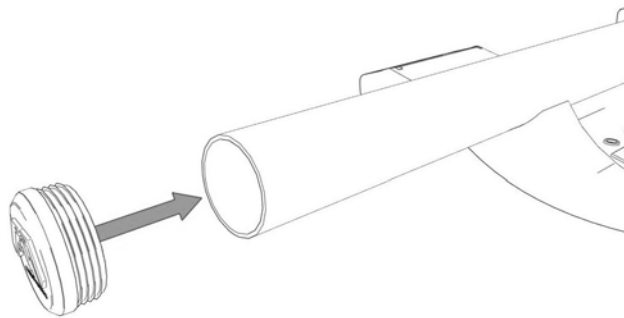


Figure 1 - INSTALLING THE FAB FOURS SIDE STEP END CAPS



Installation Instructions

Tacoma Side Steps

Product Number: J1047

Application: 2016 Tacoma Double Cab

- 2) First remove plugs from both the passenger and drivers side of the truck with a flat head screwdriver. There are 10 total.



- 3) Once plugs are removed, remove the steps from the packaging and identify passenger and driver's sides.
- 4) From underneath the driver side of the vehicle, lift the Fab Fours Side Step to a position where the bottom center M8 bolt can be installed into the truck. Do not tighten! This bolt can be used to hold the Fab Fours Side Step in position as the other hardware is added.
- 5) Install M8 bolts in slots of both front and rear mounting brackets (the front only gets one bolt). Do not tighten!
- 6) At this time make sure step is in desired location on the truck. Once you have your Fab Fours step in the desired location tighten all bottom bolts.



Installation Instructions

Tacoma Side Steps

Product Number: J1047

Application: 2016 Tacoma Double Cab

- 7) M8 bolts can be tightened with a 13mm socket. Verify that each Fab Fours Side Step mounting bracket is tight against the body.
- 8) Repeat on the opposite side of the vehicle.

Congratulations!! Your new Fab Fours Side Steps have been installed successfully on your vehicle!



Installation Instructions

Tacoma Side Steps

Product Number: J1047

Application: 2016 Tacoma Double Cab

V. Maintenance/Care

- Periodically check and tighten all fasteners.
- Stripped, fractured, or bent bolts or nuts need to be replaced.
- After washing of the vehicle make sure to fully dry all surfaces

VI. Contact Information

Fab Fours Inc.
1312 Camp Creek Rd
Lancaster, SC 29720

Phone (866)-385-1905
Fax (866)-574-1424
Email Support@fabfours.com



More than expected... Better than expected