



Installation Instructions Black Steel Winch Mount

Product Number: 20483

Application: Black Steel/Black Steel Elite Half-Ton series

SAFETY

Your safety and the safety of others is very important.

- In order to help you make informed decisions about safety, we have provided installation instructions and other information.
- These instructions alert you to potential hazards that could hurt you or others.
- Please do a job safety analysis (JSA) before each task to identify potential hazards for your situation and remove/protect against them.
- You must use your own good judgment, and take your time.

Read and understand all safety precautions and instructions before installing this product.

THIS PRODUCT IS FOR OFFROAD USE ONLY. ALL LIABILITY FOR INSTALLATION AND USE RESTS WITH THE OWNER.

CARELESS INSTALLATION AND OPERATION CAN RESULT IN SERIOUS INJURY OR EQUIPMENT DAMAGE.

Injury hazard

Failure to observe these instructions could lead to severe injury or death.

- Always** remove jewelry and wear eye protection.
- Always** use extreme caution when jacking up a vehicle for work. Set emergency brake and use tire blocks. Locate and use the vehicle manufacturers designated lifting points. Use jack stands.
- Always** use appropriate and adequate care in lifting components into place.
- Always** insure components will remain secure during installation and operation.
- Always** wear safety glasses when installing this kit. A drilling operation will cause flying metal chips. Flying chips can cause serious eye injury.
- Always** use extreme caution when drilling on a vehicle. Thoroughly inspect the area to be drilled (on both sides of material) prior to drilling, and relocate any objects that may be damaged.
- Always** use extreme caution when cutting and trimming during fitting.
- Always** tighten all nuts and bolts securely per installation instructions.
- Always** route electrical cables carefully. Avoid moving parts, components that become hot and rough or sharp edges.
- Always** insulate and protect all exposed wiring and electrical terminals.
- Always** perform regular inspections and maintenance on mounts and related hardware.



NOTE: Black Steel Accessory Compatibility

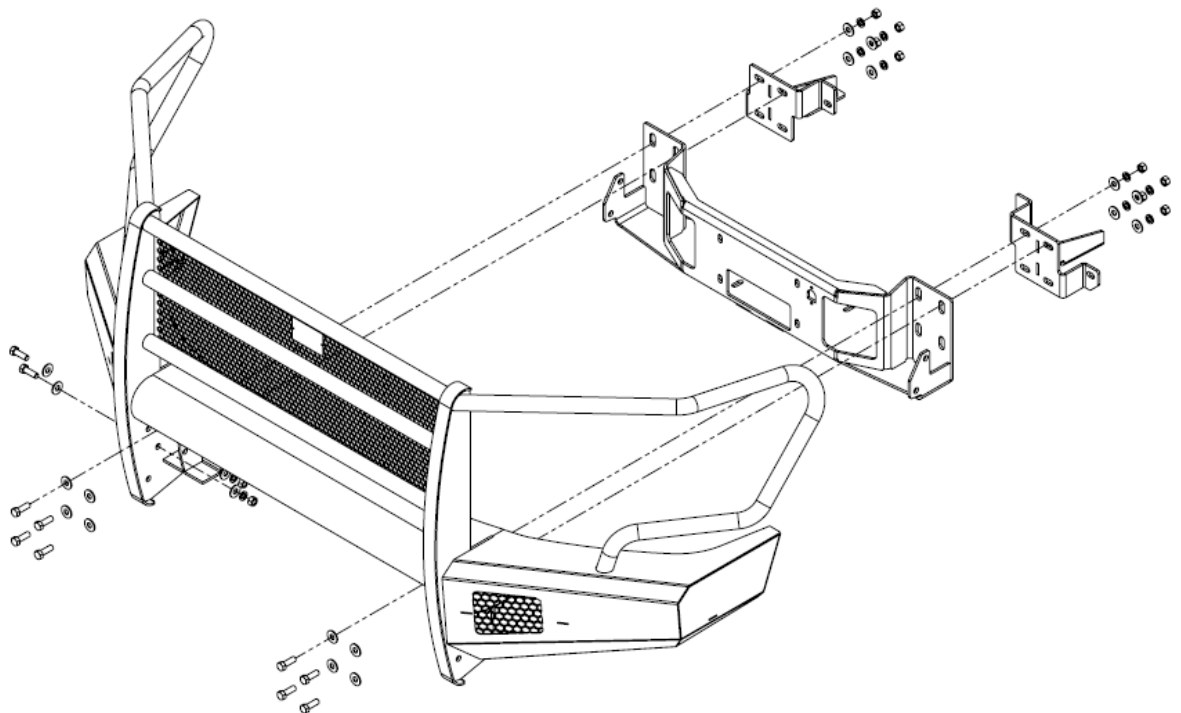
- This product **is** compatible with all Black Steel/Black Steel Elite bumpers for Half-Ton vehicles (K/R series)
- This product **is not** compatible with the Black Steel/Black Steel Elite bumpers for Heavy Duty vehicles

I. Tool List

- Metric and Standard socket set
- Various socket extensions
- $\frac{3}{4}$ " box end wrench
- Philips head screwdriver

II. Installation

The below image is an exploded view of the bumper, bumper brackets, winch mount, and hardware involved in the fastening thereof. The winch mount sandwiches between the bumper and the mounting brackets using the same fasteners already used to mount the bumper, no additional hardware is required. Please note: although the below image is applicable to the installation of the 20483 winch mount in any bumper of this series, it is a generic image. Therefore, your bumper and/or mounting brackets may look different.





Installation Instructions

Black Steel Winch Mount

Product Number: 20483

Application: Black Steel/Black Steel Elite Half-Ton series

III. Maintenance/Care

- Periodically check and tighten all nuts.
- Stripped, fractured, or bent bolts or nuts need to be replaced.

IV. Contact Information

Fab Fours Inc.
1312 Camp Creek Rd.
Lancaster, SC 29720

Phone (866)-385-1905
Fax (866)-574-1424
Email Support@fabfours.com



More than expected... Better than expected

