



# Installation Instructions

## Winch Mount

Product Number: N2050

Application: '07-Current Chevy & GMC 1500

## SAFETY

### Your safety and the safety of others is very important.

- In order to help you make informed decisions about safety, we have provided installation instructions and other information.
- These instructions alert you to potential hazards that could hurt you or others.
- Please do a job safety analysis (JSA) before each task to identify potential hazards for your situation and remove/protect against them.
- You must use your own good judgment, and take your time.

**Read and understand all safety precautions and instructions before installing this product.**

THIS PRODUCT IS FOR OFFROAD USE ONLY. ALL LIABILITY FOR INSTALLATION AND USE RESTS WITH THE OWNER.

**CARELESS INSTALLATION AND OPERATION CAN RESULT IN SERIOUS INJURY OR EQUIPMENT DAMAGE.**

## Injury hazard

### Failure to observe these instructions could lead to severe injury or death.

- Always** remove jewelry and wear eye protection.
- Always** use extreme caution when jacking up a vehicle for work. Set emergency brake and use tire blocks. Locate and use the vehicle manufacturers designated lifting points. Use jack stands.
- Always** use appropriate and adequate care in lifting components into place.
- Always** insure components will remain secure during installation and operation.
- Always** wear safety glasses when installing this kit. A drilling operation will cause flying metal chips. Flying chips can cause serious eye injury.
- Always** use extreme caution when drilling on a vehicle. Thoroughly inspect the area to be drilled (on both sides of material) prior to drilling, and relocate any objects that may be damaged.
- Always** use extreme caution when cutting and trimming during fitting.
- Always** tighten all nuts and bolts securely per installation instructions.
- Always** route electrical cables carefully. Avoid moving parts, components that become hot and rough or sharp edges.
- Always** insulate and protect all exposed wiring and electrical terminals.
- Always** perform regular inspections and maintenance on mounts and related hardware.



# Installation Instructions

## Winch Mount

Product Number: N2050

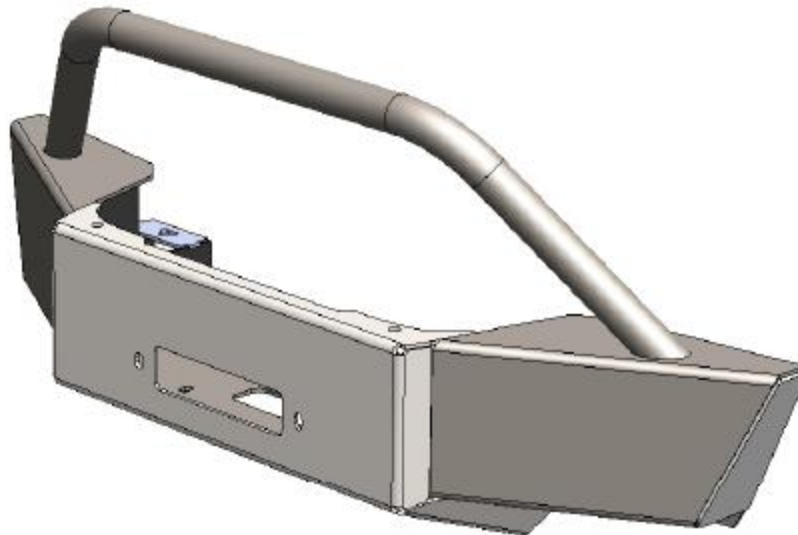
Application: '07-Current Chevy & GMC 1500

### I. Overview

Congratulations on your new purchase of the industries' best and most stylish Winch Mount available for the '07+ Chevy and GMC 1500! This Winch Mount has been **engineered** for strength.

Your Winch Mount is designed in 3-D from digitized data, CNC laser cut, fabricated, and powder coated...all in the U.S.A.

Enjoy the fit and finish of a quality Chevy & GMC 1500 Winch Mount from Fab Fours Inc.





# Installation Instructions

## Winch Mount



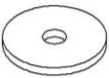


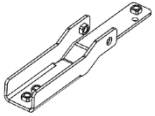
Product Number: N2050

Application: '07-Current Chevy & GMC 1500

### II. Tools Required

- 18mm, 3/4" Wrench
- 18mm, 3/4" socket
- Ratchet wrench

### III. Kit Contents

QTY	DESCRIPTION	FAB FOURS PART NUMBER
 x 1	N2050 Winch Mount	N2050
 x 2	Tow Hook	61366
 x 2	Heavy Washer	20369-07
 x 1	N2050 Hardware Kit	N3060-HW
 x 1	N2050 Instruction Manual	N2050-IM
 x 2	N2050 Winch Mount Bracket	20729



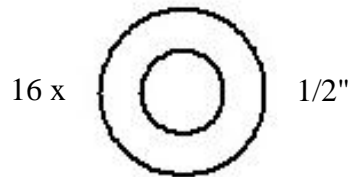
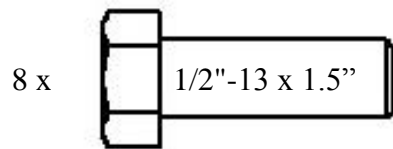
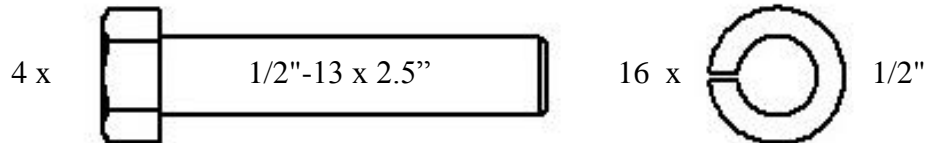
# Installation Instructions

## Winch Mount

Product Number: N2050

Application: '07-Current Chevy & GMC 1500

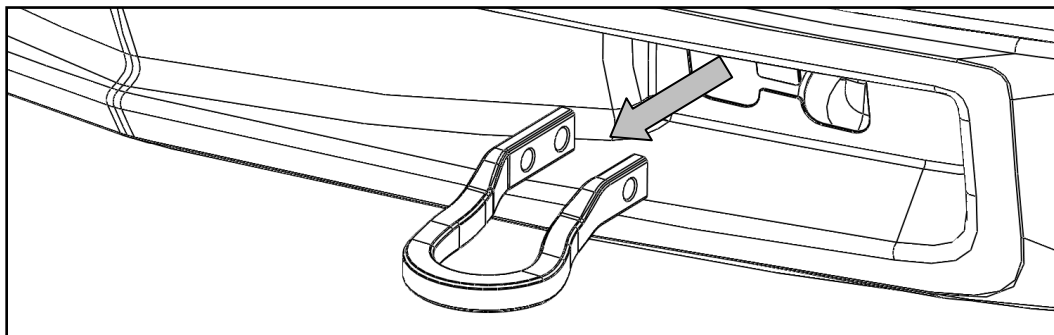
### IV. Included Hardware



### V. Removal of Factory Tow Hooks

**A. Using an 18mm Wrench, remove the three bolts holding each factory tow hook to the frame.**

**B. Remove the factory tow hooks, pulling them forward through the bumper.**





## Installation Instructions

### Winch Mount

Product Number: N2050

Application: '07-Current Chevy & GMC 1500

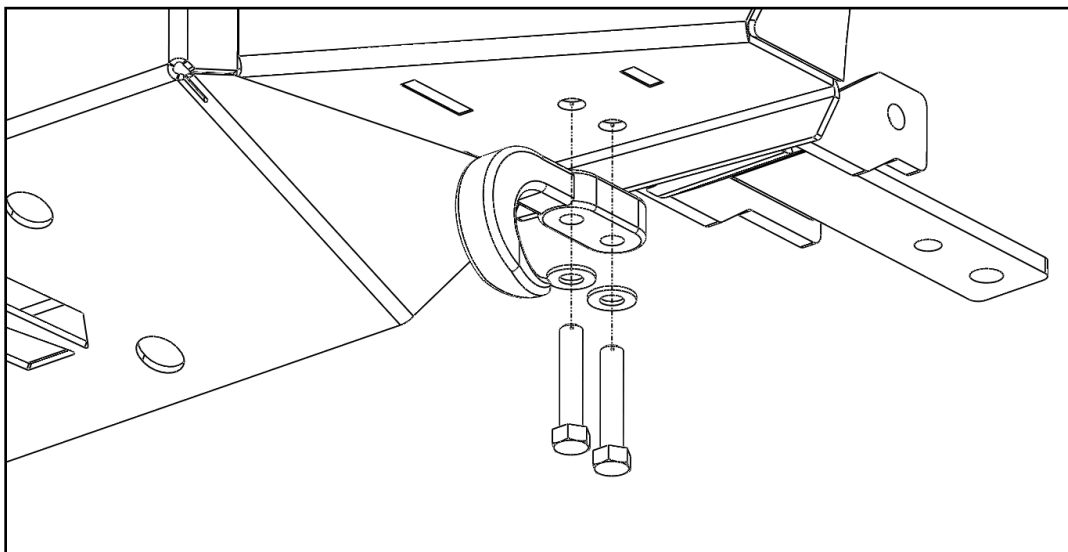
*Figure 1 – Factory tow hook removal*

## VI. Installation Instructions

A. Insert mounting bracket through tow hook holes in bumper and into frame. Align bracket and frame holes and screw in 1/2"-13 x 1.5" bolts in front holes on each side of frame, leaving either side loose until both sides have been threaded. Using one 1/2"-13 x 1.5" bolt and a 'heavy washer' screw in through hole located at the bottom of the frame. Tighten all bolts and repeat on both sides.

B. At this point it is recommended to install the winch into the mount, following winch manufacturer's installation instructions.

C. With the help of another person and a jack for support raise the winch mount into place and align the mounting bracket holes with winch mount slots. Insert 2.5" bolts through tow hooks into mounting brackets. Fully tighten all bolts after centering winch mount.



*Figure 7 (Tow hook installation, bottom fasteners)*



## Installation Instructions

### Winch Mount

Product Number: N2050

Application: '07-Current Chevy & GMC 1500

### VII. Maintenance/Care

- Periodically check and tighten all fasteners
- Stripped, fractured, or bent bolts or nuts need to be replaced
- After washing of the vehicle make sure to fully dry all surfaces

### VIII. Contact Information

Fab Fours Inc.  
1312 Camp Creek Rd.  
Lancaster, SC 29720

Phone (866)-385-1905  
Fax (866)-574-1424  
Email [Support@fabfours.com](mailto:Support@fabfours.com)



More than expected... Better than expected