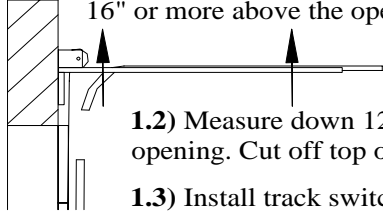


BUG BLOCKER™ 3" SWITCH TRACK STANDARD LIFT

1)

1.1) Unwind the existing springs. Move the horizontal track and spring assembly up 9" and reinstall. (If the horizontal is 16" or more above the opening this is unnecessary.)

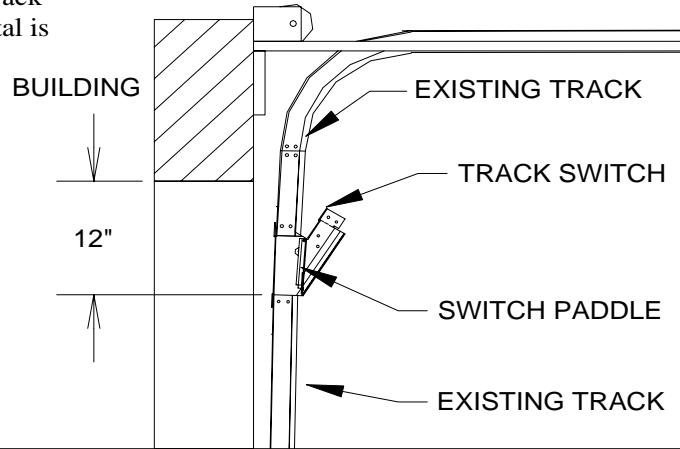


1.2) Measure down 12" from top of the opening. Cut off top of vertical track.

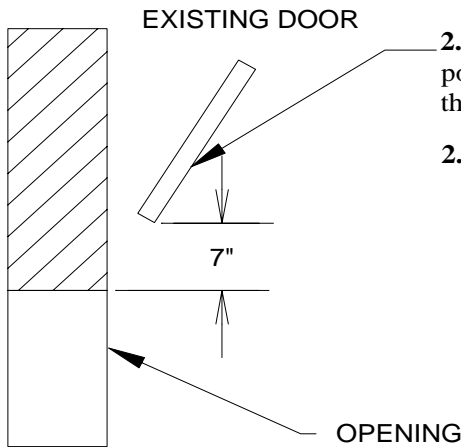
1.3) Install track switch bottom with track bolts using nylock nuts provided.

1.4) Install high lift section to fill the gap.

1.5) Check the switch paddle for crisp snap action. Move upper track as necessary to provide necessary clearance.



2)



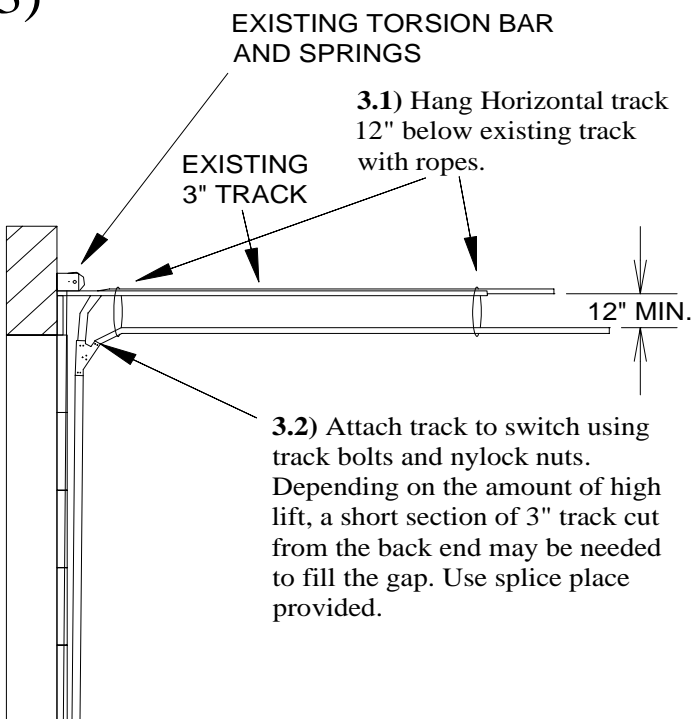
2.1) Rewind the springs on the door so that in the full up position the bottom will be a minimum of 7 inches above the top of the opening.

2.2) Readjust spring stop bumpers or travel on motor operated door.

CHECK AND REPAIR THE EXISTING DOOR AND TRACK FOR PROPER AND SMOOTH OPERATION.

REPLACE EXISTING VERTICAL TRACK IF REQUIRED.

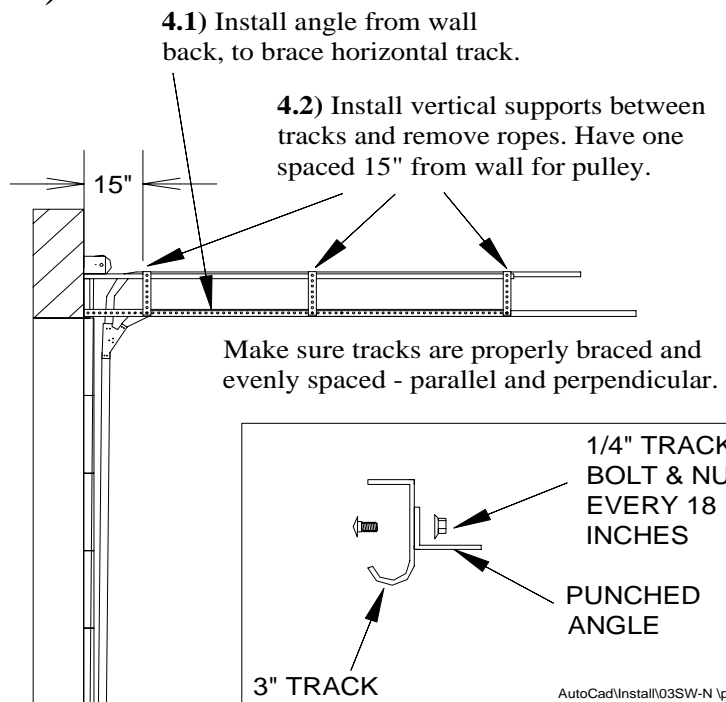
3)



3.1) Hang Horizontal track 12" below existing track with ropes.

3.2) Attach track to switch using track bolts and nylock nuts. Depending on the amount of high lift, a short section of 3" track cut from the back end may be needed to fill the gap. Use splice place provided.

4)



4.1) Install angle from wall back, to brace horizontal track.

4.2) Install vertical supports between tracks and remove ropes. Have one spaced 15" from wall for pulley.

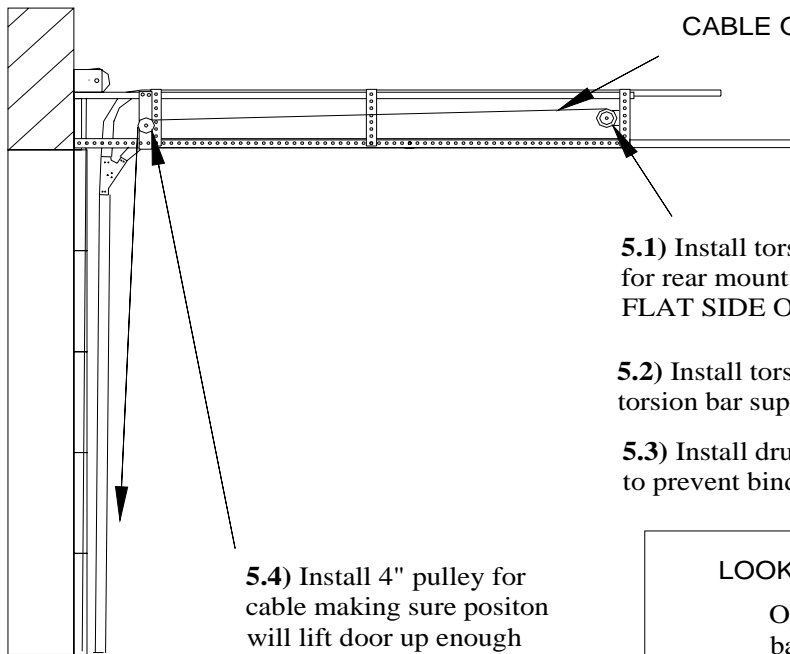
Make sure tracks are properly braced and evenly spaced - parallel and perpendicular.

1/4" TRACK BOLT & NUT EVERY 18 INCHES

PUNCHED ANGLE

3" TRACK

5)



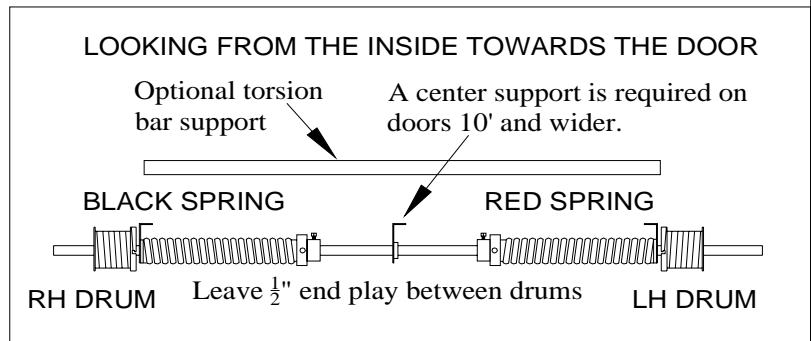
CABLE OFF TOP OF DRUM

5.1) Install torsion bar bearing brackets for rear mount torsion bar assembly - FLAT SIDE OUT.

5.2) Install torsion bar and springs as shown. Use center support and torsion bar support if door is over 10 feet wide.

5.3) Install drums on shaft as shown. Leave $\frac{1}{4}$ " end play to prevent binding. New cable off front of drum.

5.4) Install 4" pulley for cable making sure position will lift door up enough and cable will clear track switch.



6)

6.1) Install on the bottom section the right bottom bracket with 4ea Pk's and 2 track bolts. Install #1 center hinges and a #3 hinge on the right end FINGER TIGHT. (INSTALL THE HINGES WITH THE NUMBERS DOWN)

6.2) Install bottom section in the track and add the other bottom bracket and #3 hinge on the left end. (Use long stem rollers on bottom corners.)

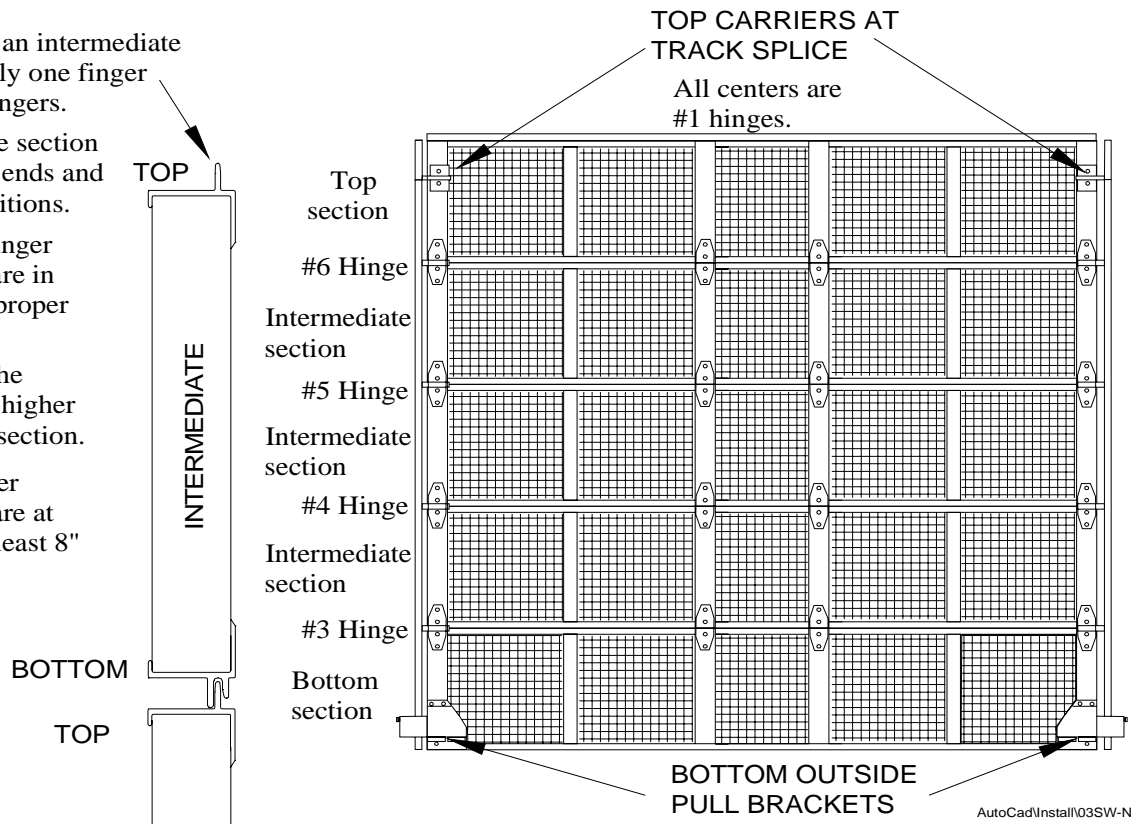
6.3) Identify the top of an intermediate section. The top has only one finger and the bottom has 2 fingers.

6.4) Install intermediate section using #4 hinges on top ends and #1 hinges in center positions.

6.5) Install all hinges finger tight until all sections are in place and checked for proper engagement.

6.6) Install the rest of the sections using the next higher number hinge on each section.

6.7) Attach the top roller carriers so that rollers are at TRACK SPLICE. (At least 8" from top of door)



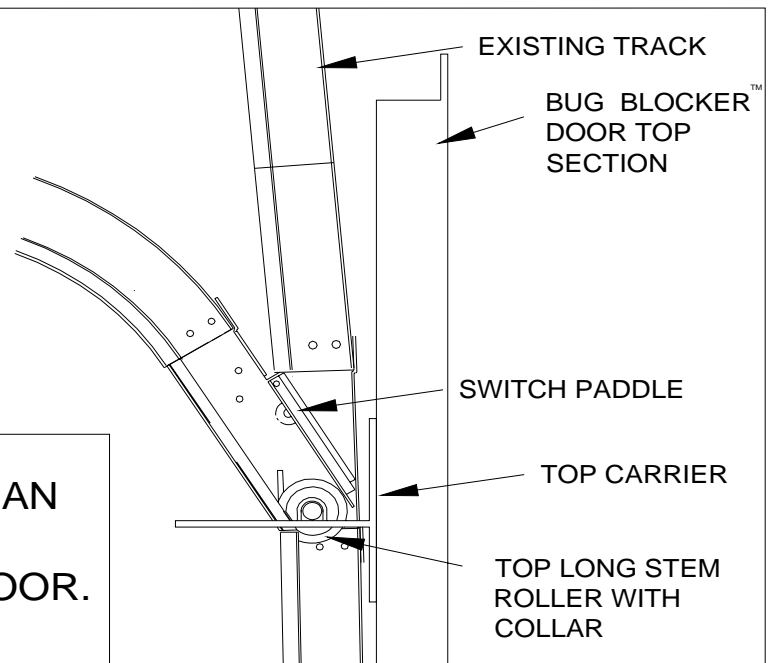
NOTE: IF THE EXISTING DOOR IS 3" THICK THE END HINGES ON THE BOTTOM START WITH #6

7) 7.1) Install the top carrier with $\frac{1}{4}$ " -20 pk's (self-drillers). Use the long stem rollers with collars.

7.2) Position the top carrier so that the roller is at the bottom of the switch paddle.

7.3) Adjust the slide on the top bracket to close the top section of the opening.

FAILURE TO FOLLOW THESE STEPS CAN RESULT IN ROLLERS COMING OUT BECAUSE OF BACK BREAKING THE DOOR.



8) 8.1) Measure the distance from the torsion shaft to the pulley to the floor and calculate the cable length as follows:

DRUMS:

OMI 12 (4- $\frac{3}{4}$ " Dia.) Floor to pulley to shaft + 8".

OMI 18 (6" Dia.) Floor to pulley to shaft + 10".

8.2) Carefully measure the cables and flatten stops into position.

8.3) Cut off excess cable.

9) 9.1) Install down lock and handle with PK's (self-drillers).

9.2) Install cables off top of drums and wind springs as specified on the front cover. (Add or subtract turns as necessary to give positive door operation.)

9.3) Install stop springs to stop door above top of opening.

9.4) Move pull rope on existing door in toward center 4 to 6 inches. (This keeps it from being trapped in the track switch.)

9.5) Install pull rope on the Bug Blocker™ door.

9.6) Check that the door sits level with no interference while moving up. (Readjust drum position if necessary to level door.)

9.7) Check that the door does not rub on the door frame in the down position. (Readjust track as necessary to provide clearance.)

9.8) RE-CHECK ALL HINGE BOLTS AND FASTENERS FOR TIGHTNESS.