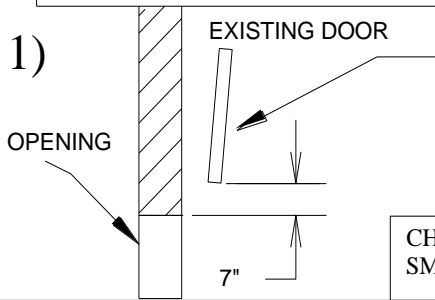


SCREEN DOOR 3" SWITCH TRACK VERTICAL LIFT

1)



1.1) Readjust existing door so that in the full up position the bottom will be a minimum of 7 inches above the top of the opening.

1.2) Readjust spring stop bumpers or travel on motor operated door. If necessary cut 7 inches off existing cable and add turns to the existing springs.

CHECK AND REPAIR THE EXISTING DOOR AND TRACK FOR PROPER AND SMOOTH OPERATION. REPLACE EXISTING VERTICAL TRACK IF REQUIRED.

2)

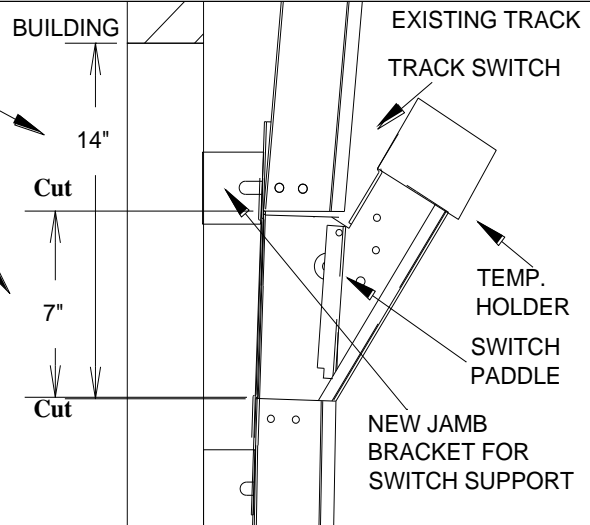
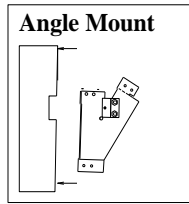
2.1) Measure down 14" from top of opening and cut track.

2.2) Measure up 7" and cut track off.

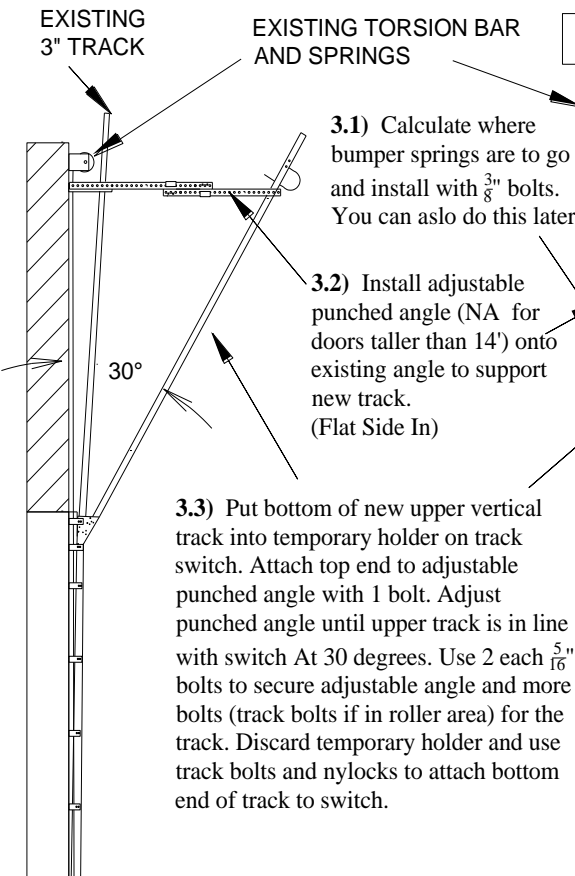
2.3) **Jamb bracket mounted** - Remove brackets in the way and install track switch with $\frac{1}{4}$ " track bolts. Install 2 new jamb brackets to wall and switch using flange nuts.

2.4) **Angle mounted** - Notch out angle for switch. Install track switch with $\frac{1}{4}$ " track bolts and nylon stop lock nuts provided.

2.5) Check paddle for crisp action.



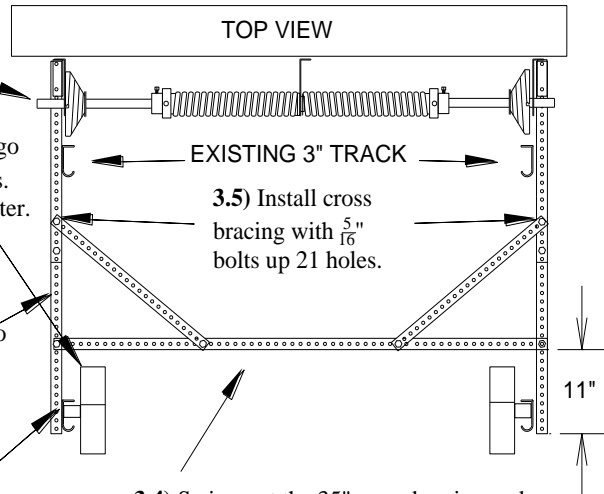
3)



3.1) Calculate where bumper springs are to go and install with $\frac{3}{8}$ " bolts. You can also do this later.

3.2) Install adjustable punched angle (NA for doors taller than 14') onto existing angle to support new track. (Flat Side In)

3.3) Put bottom of new upper vertical track into temporary holder on track switch. Attach top end to adjustable punched angle with 1 bolt. Adjust punched angle until upper track is in line with switch. At 30 degrees. Use 2 each $\frac{5}{16}$ " bolts to secure adjustable angle and more bolts (track bolts if in roller area) for the track. Discard temporary holder and use track bolts and nylocks to attach bottom end of track to switch.



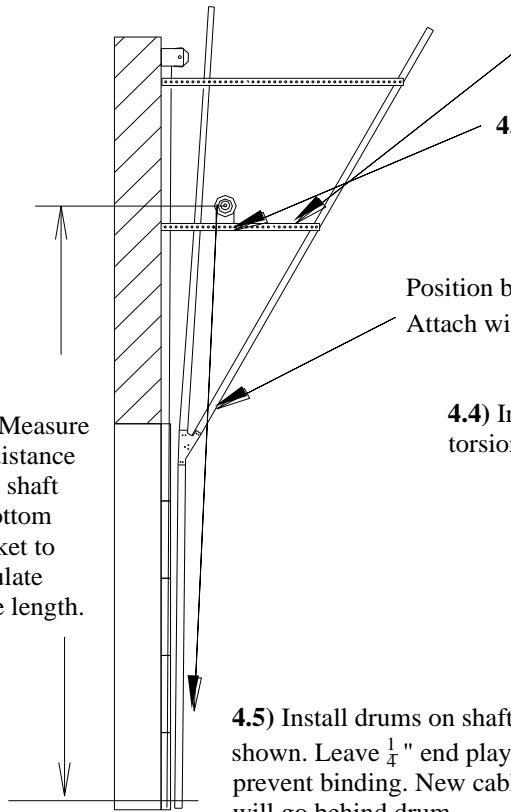
3.4) Swing out the 35" cross bracing and install pre-cut punched angle between tracks 11" from edge of the track. Check the inside width of the new track is the same as the inside width of the existing track.

See **BRACING WARNING** on **SAFETY** page.



Make sure tracks are properly braced and evenly spaced - parallel and perpendicular.

4)



4.1) Add angle brace at least half way up track to mount torsion bar bearings.

4.2) Install torsion bar bearing brackets to new angle. FLAT SIDE OUT

Position bearing brackets to keep cable clear of existing door, new track and switch. Attach with $\frac{3}{8}$ " red bolts. Use $2\frac{1}{2}$ " red bolts if you have a torsion bar support.

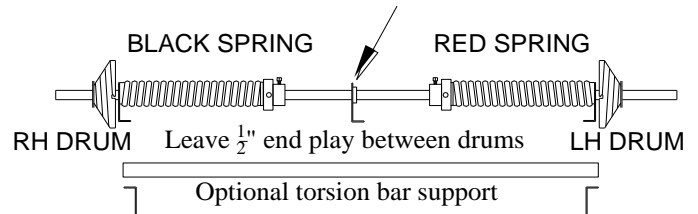
4.3) Measure the distance from shaft to bottom bracket to calculate cable length.

4.4) Install torsion bar and springs as shown. Use center support and torsion bar support if door is over 10 feet wide.

4.5) Install drums on shaft as shown. Leave $\frac{1}{4}$ " end play to prevent binding. New cable will go behind drum.

LOOKING FROM THE INSIDE TOWARDS THE DOOR

A center support is required on doors 10' and wider.



5)

5.1) Install on the bottom section the right bottom bracket with 6ea red self drillers and 2 flange nuts. Install #1 center hinges and a #3 hinge on the right end FINGER TIGHT. (INSTALL THE HINGES WITH THE NUMBERS DOWN)

5.2) Install bottom section in the track and add the other bottom bracket and #3 hinge on the left end. (Use long stem rollers on bottom corners.)

5.3) Identify the top of an intermediate section. The top has only one finger and the bottom has 2 fingers.



See **BOTTOM BRACKET INSTALLATION** on **SAFETY** page

TOP CARRIERS AT TRACK SPLICE

All centers are #1 hinges.

5.4) Install intermediate section using #4 hinges on top ends and #1 hinges in center positions.

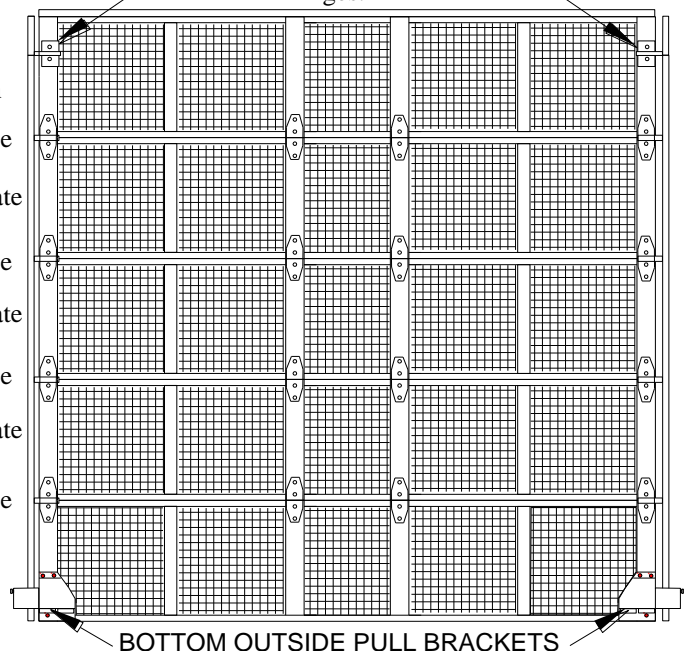
5.5) Install all hinges finger tight until all sections are in place and checked for proper engagement.

5.6) Install the rest of the sections using the next higher number hinge on each section.

5.7) Attach the top roller carriers so that rollers are at TRACK SPLICE. (At least 8" from top of door)



Top section
#6 Hinge
Intermediate section
#5 Hinge
Intermediate section
#4 Hinge
Intermediate section
#3 Hinge
Bottom section



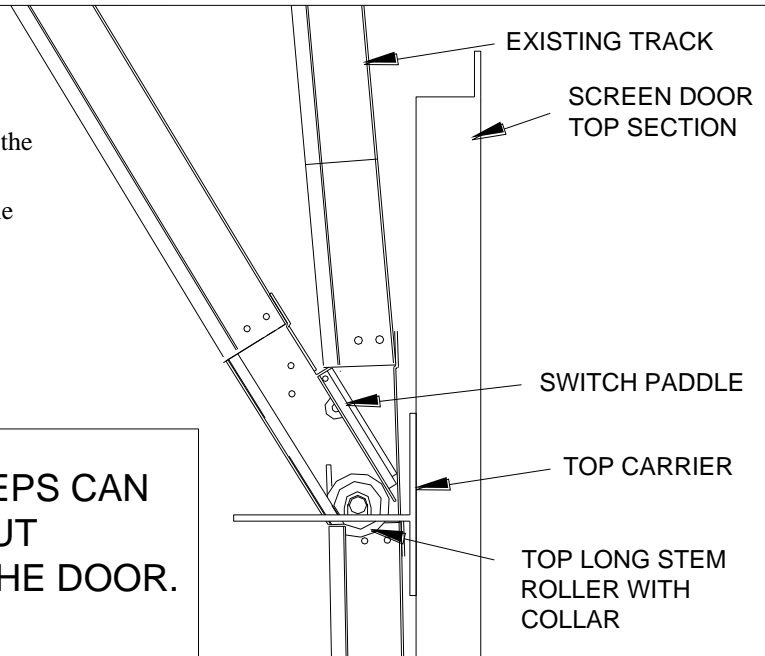
NOTE: IF THE EXISTING DOOR IS 3" THICK THE END HINGES ON THE BOTTOM START WITH #6

- 6) **6.1)** Install the top carrier with $\frac{1}{4}$ -20 self-drillers. Use the long stem rollers with collars.
- 6.2)** Position the top carrier so that the roller is at the bottom of the switch paddle.
- 6.3)** Adjust the slide on the top bracket to close the top section of the opening.



See **TOP CARRIERS WARNING** on **SAFETY** page

FAILURE TO FOLLOW THESE STEPS CAN RESULT IN ROLLERS COMING OUT BECAUSE OF BACK BREAKING THE DOOR.



- 7) **7.1)** Measure the distance from the torsion shaft to the bottom bracket and calculate the cable length as follows:

DRUMS:

OMI 11 VL ($8\frac{1}{2}$ " Dia.) Bottom bracket to shaft plus 137" minus door opening height.

OMI 18 VL ($10\frac{5}{8}$ " Dia.) Bottom bracket to shaft plus 232" minus door opening height.

OMI 28 VL ($13\frac{1}{2}$ " Dia.) Bottom bracket to shaft plus 346" minus door opening height.

- 7.2)** Carefully measure the cables and flatten stops into position.
- 7.3)** Cut off excess cable.
- 7.4)** Make sure bumper springs are installed.



See **BUMPER SPRINGS WARNING** on **SAFETY** page.

Door may come out of track if spring bumper is not installed.

- 8) **8.1)** Install down lock and handle with self-drillers. Lock door.
- 8.2)** Install cables behind drums and wind springs as specified on the front cover. Tension one spring with 2 winds, then go to other and wind fully. Stretch the spring out the width of 2 coils then tighten set screws. Go back to the first spring, wind fully and stretch then tighten set screws. (Add or subtract turns as necessary to give positive door operation.)

See **SPRINGS WARNING** on **SAFETY** page.



- 8.3)** Move pull rope on existing door in toward center 4 to 6 inches. (This keeps it from being trapped in the track switch.)
- 8.4)** Install pull rope on the screen door.
- 8.5)** Check that the door sits level with no interference while moving up. (Readjust drum position if necessary to level door.)
- 8.6)** Check that the door does not rub on the door frame in the down position. (Readjust track as necessary to provide clearance.)
- 8.7) RE-CHECK ALL HINGE BOLTS AND FASTENERS FOR TIGHTNESS.**