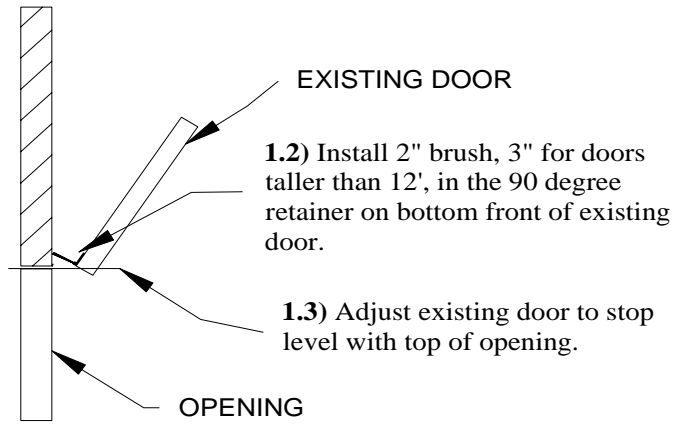
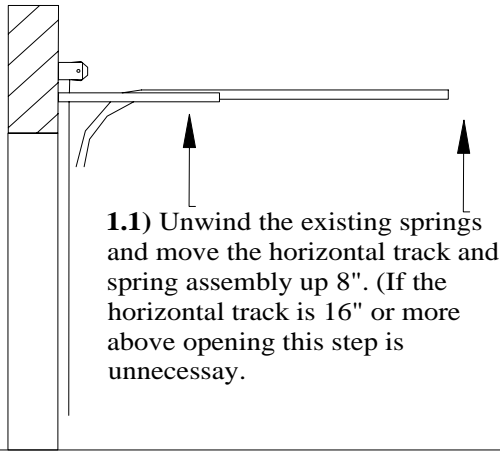


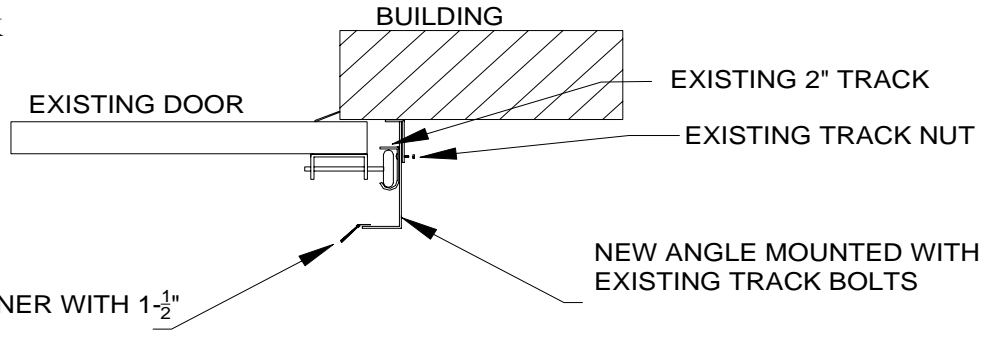
BUG BLOCKER™ BEHIND 2" TRACK NORMAL LIFT

1)



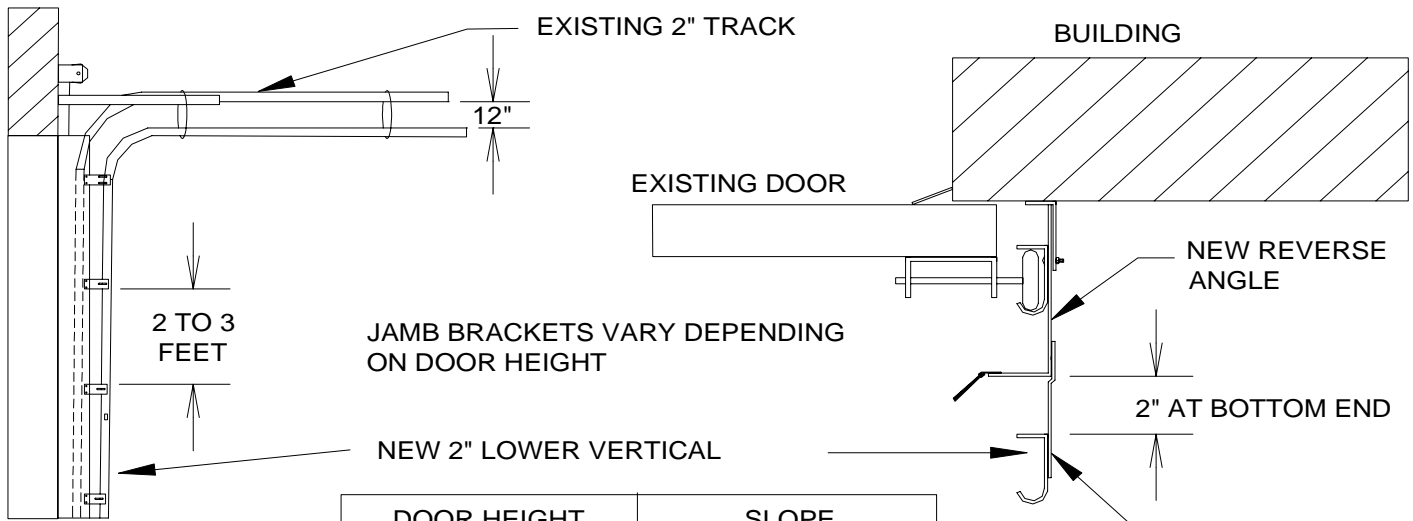
2)

CAUTION: IF EXISTING TRACK IS NOT WELL MOUNTED, EXTRA BRACING TO SIDE PLATE WILL BE NECESSARY



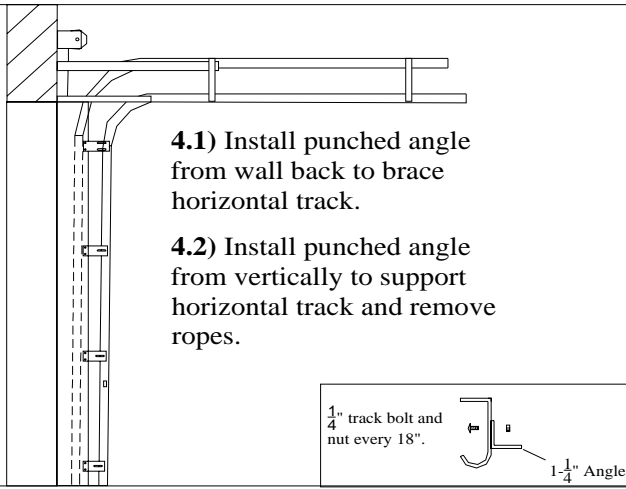
3)

- 3.1) Hang new horizontal track 12" below existing track with ropes.
- 3.2) Install jamb brackets with bolts or weld to the new reverse angle. Start with the shorter brackets on the bottom and go longer as you work your way up. Space the jamb brackets evenly. The top jamb bracket will have 2 slots and must be mounted so that it will be 1/2 way above the top end of the new vertical.
- 3.3) Install new 2" lower vertical to jamb brackets. Space 2 inches from angle at bottom end. Slope as indicated in table.

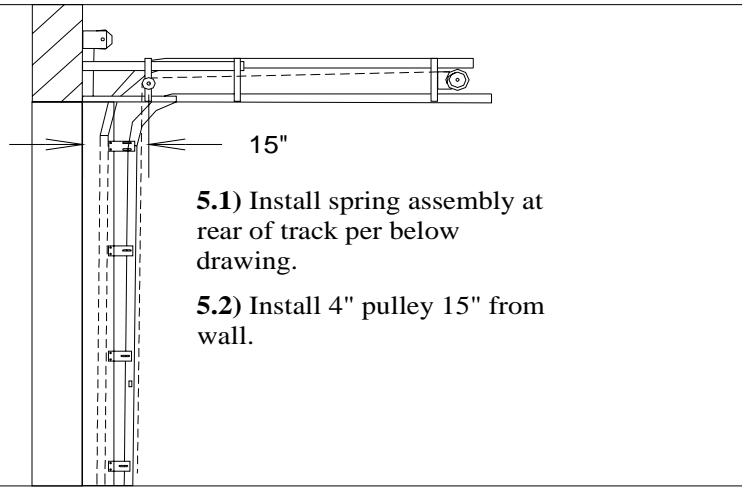


DOOR HEIGHT	SLOPE
8 FEET	1 INCH
10 FEET	1-1/4 INCH
12 FEET	1-1/2 INCH
14 FEET	1-3/4 INCH
16 FEET	2 INCHES

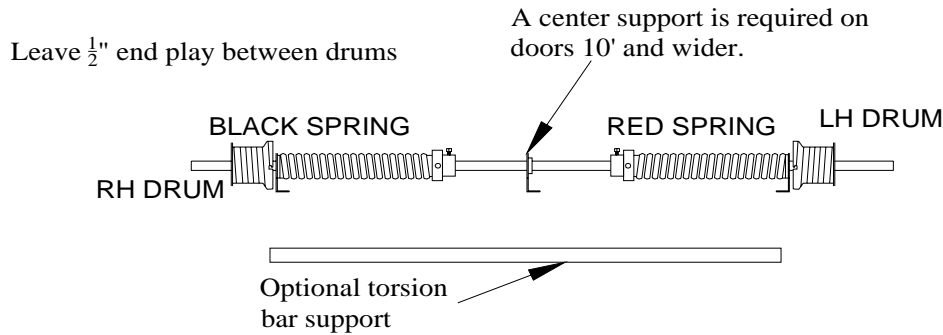
4)



5)

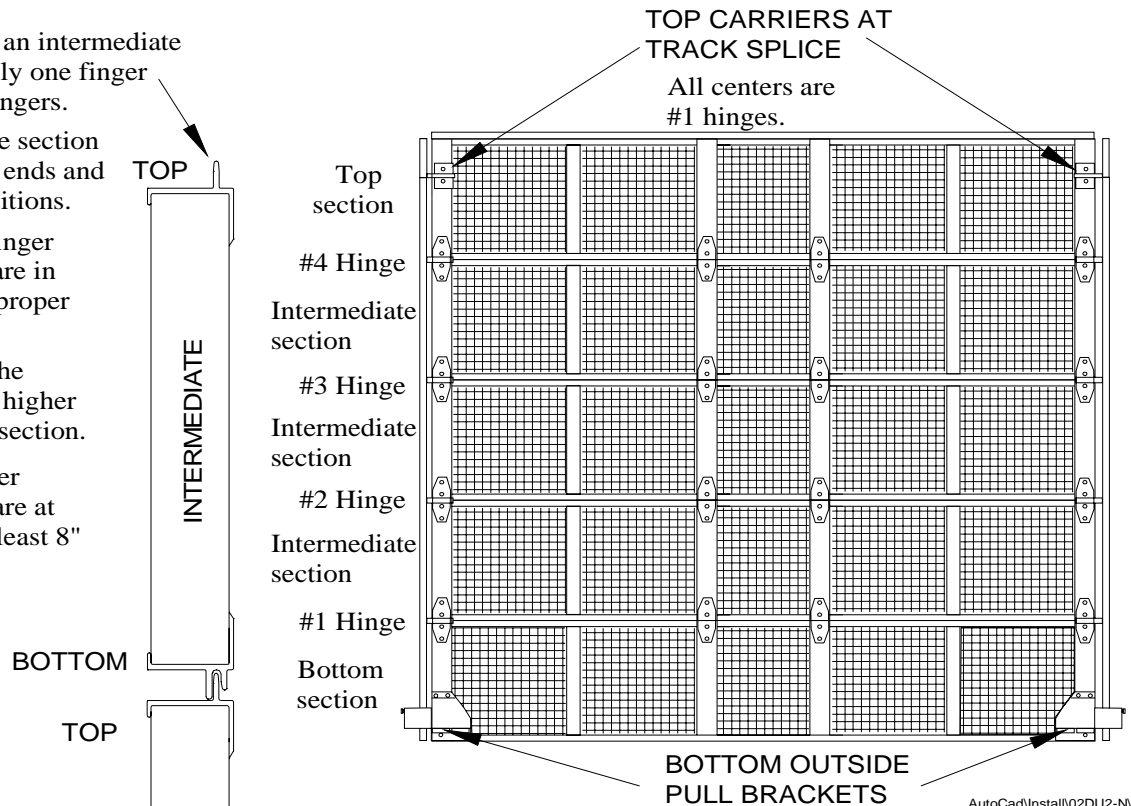


LOOKING UP FROM THE INSIDE TOWARDS THE DOOR



6)

- 6.1)** Install on the bottom section the right bottom bracket with 4ea Pk's and 2 track bolts. Install #1 center hinges and a #1 hinge on the right end FINGER TIGHT. (INSTALL THE HINGES WITH THE NUMBERS DOWN)
- 6.2)** Install bottom section in the track and add the other bottom bracket and #1 hinge on the left end. (Use long stem rollers on bottom corners.)
- 6.3)** Identify the top of an intermediate section. The top has only one finger and the bottom has 2 fingers.
- 6.4)** Install intermediate section using #2 hinges on top ends and #1 hinges in center positions.
- 6.5)** Install all hinges finger tight until all sections are in place and checked for proper engagement.
- 6.6)** Install the rest of the sections using the next higher number hinge on each section.
- 6.7)** Attach the top roller carriers so that rollers are at TRACK SPLICE. (At least 8" from top of door)



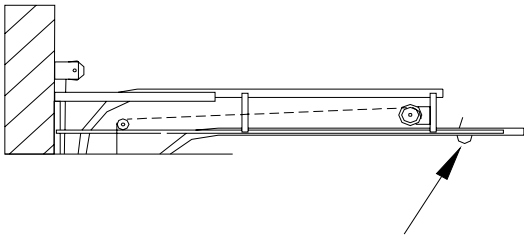
- 7) 7.1) Measure the distance from the torsion shaft to the floor and calculate the cable length as follows:
(For a rear mounted torsion the distance is measured from the floor around the pulley to the torsion bar.)

STANDARD LIFT DRUMS:

OMI 12 (4- $\frac{3}{4}$ " Dia.) Floor to pulley to shaft plus 8".
OMI 18 (6" Dia.) Floor to pulley to shaft plus 10".

- 7.2) Carefully measure the cables and flatten stops into position.
7.3) Cut off excess cable.
7.4) Install down lock and handle with PK's (self-drillers).
7.5) Install cables and wind springs as specified on the front cover.
7.6) Install pull rope on bottom under right hand roller.
7.7) Tighten down all fasteners.

8)



8.1) Install stop springs to stop door above top of opening.

8.2) Check that door is level. Adjust drum positions on shaft if necessary.

9)

