



SS3x2-2000 I O

SLURRYPRO[®]

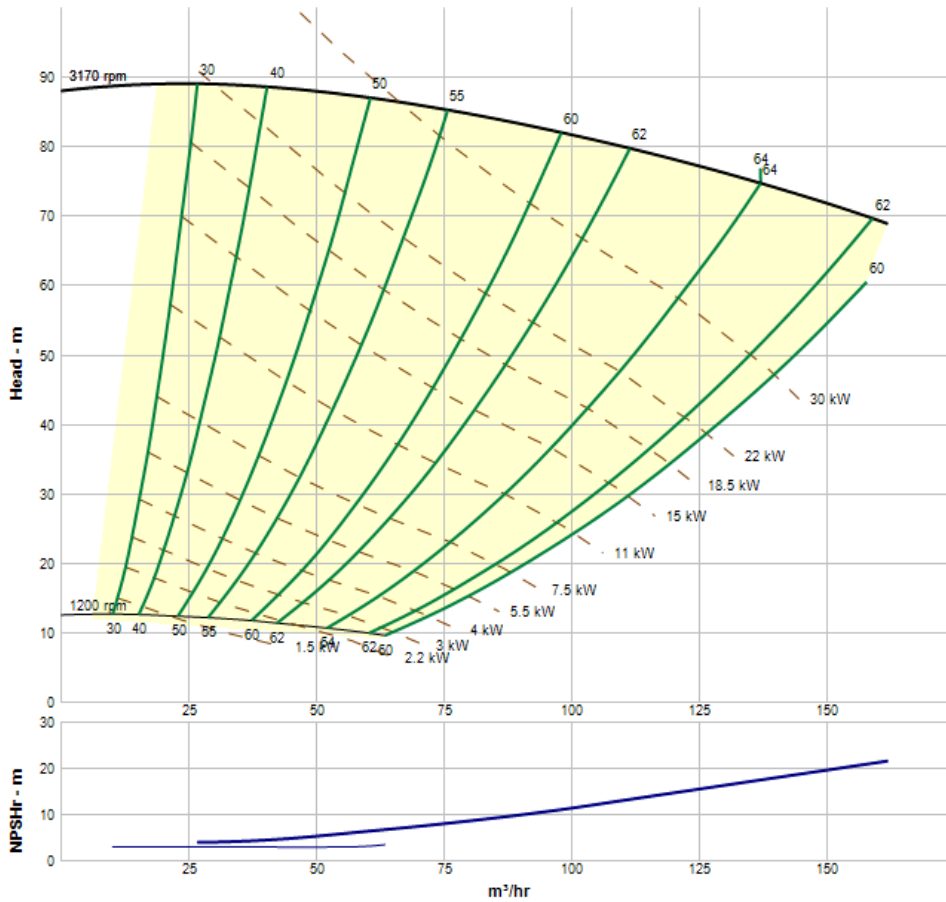
A BETTER SLURRY PUMP EXPERIENCE

slurrypro.com

SS3x2-200010

SlurryPro Silver Series 3x2 centrifugal slurry pump. Featuring standard expeller, heavy duty SKF bearing, high chrome impeller, high chrome liner and a maximum motor power of 30kW.

Performance



Specification

Suction	76.2mm (3")
Discharge	50.8mm (2")
Maximum RPM	3170
Sealing System	Standard Expeller
Liner Material	High Chrome
Impeller Material	High Chrome
Throat Bush	N/A
Max Motor Power	30kW
Weight Bare Shaft Pump	197kg

About SlurryPro

SlurryPro originated from a firm belief that your slurry pump experience could and should be better. In response to industry feedback and frustration with service and response times, SlurryPro Pumps has introduced a customer-centric focus and revolutionized the end-user experience.

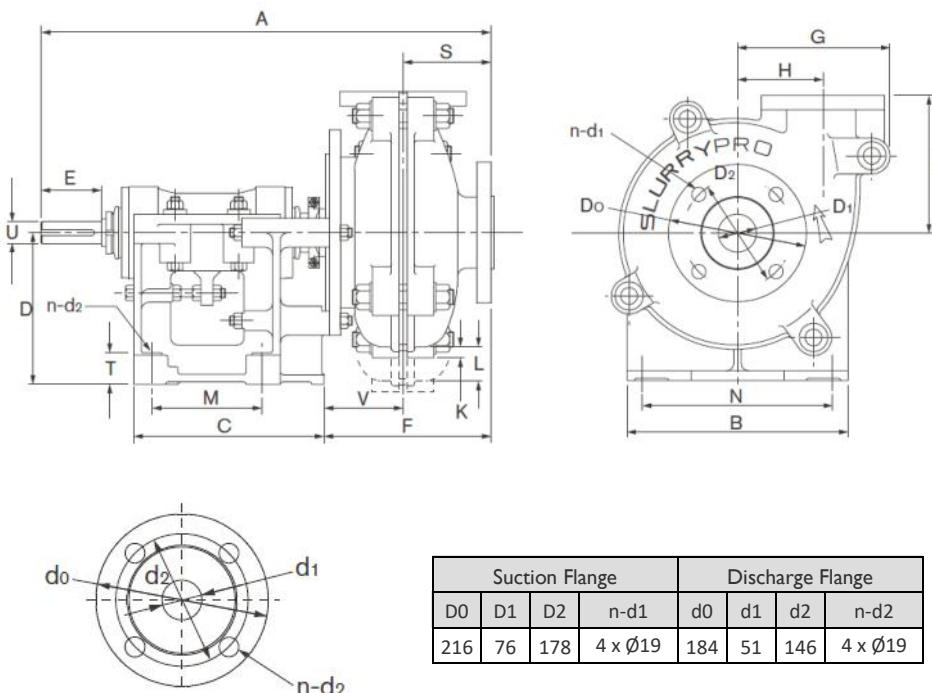
The core management team bring years of experience from the Australian and South American mining industry. This tough and unforgiving environment was the perfect birth place for a range of pumps focusing on superior wear life and reduced lifetime costs. We focus on the vital need to reduce downtime in our key markets of mining, chemicals and mineral processing.

Our range includes horizontal and vertical centrifugal slurry pumps, all designed for use in the heaviest duty applications such as mill discharge, process plant and tailings applications. They are also widely used in sand washing and recycling applications, as well as specialist areas such as difficult food washing and other abrasive processes.

We understand that reducing downtime relies on rapid and cost effective parts availability. With this in mind, we have invested heavily in stock within our distribution companies, leading to the fastest quoting and delivery times in the industry.

In short, if you're looking for a better slurry pump experience, including superior wear life, reduced lifetime cost and ease of ongoing maintenance there is quite simply no alternative to SlurryPro.

Dimensions



SLURRYPRO®

A BETTER SLURRY PUMP EXPERIENCE

e: info@intraxglobal.com

t: +44 (0)114 229 3144

Size	A	B	C	D	U	E	F	G	H	J	K	L	M	N	V	T	S
SS3x2-200010	768	406	311	254	42	121	280	238	138	210	71	-	175	356	124	48	151

Please note that the information featured on this data sheet is for guidance/reference only. For application specific drawings and curves, contact your nearest authorised distributor. SlurryPro is part of the Intrax Global Group. 020918..