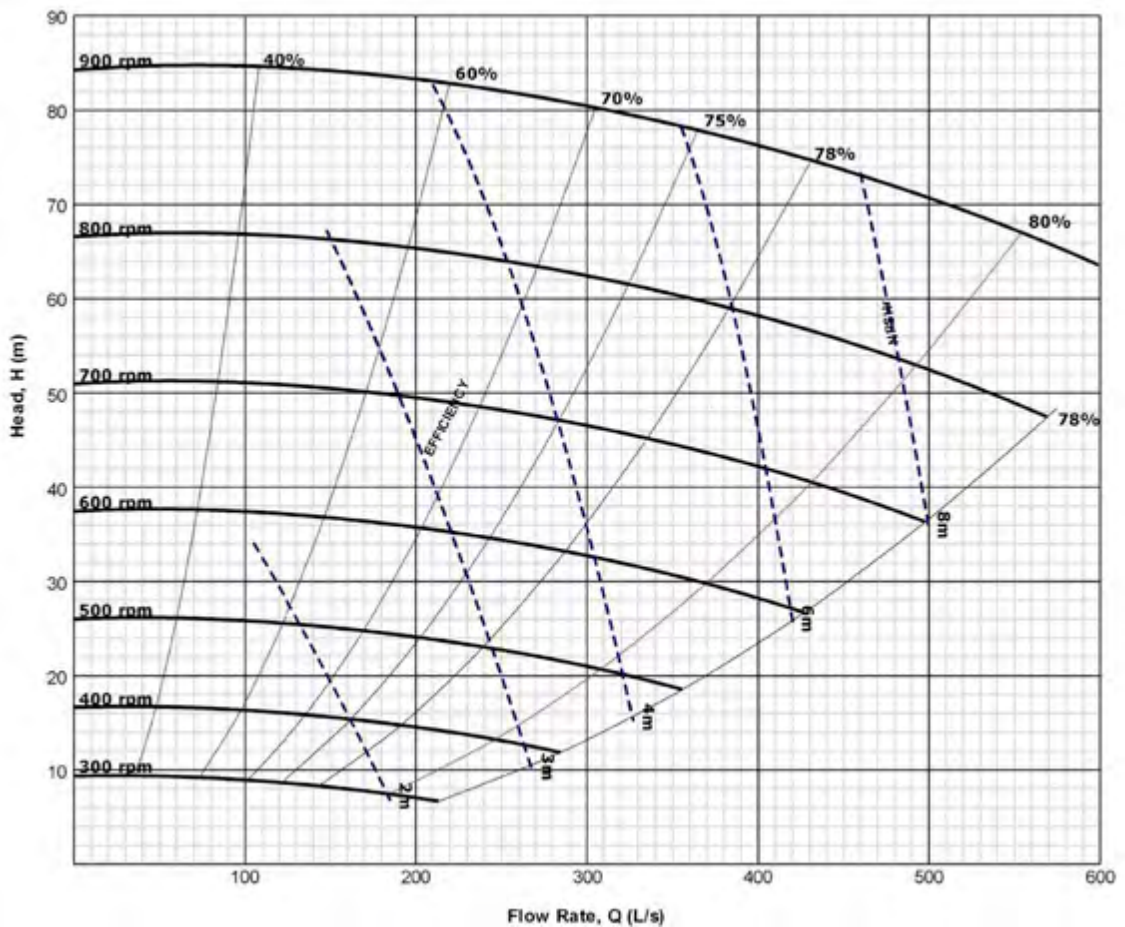


Silver Series

SS12x10-003365



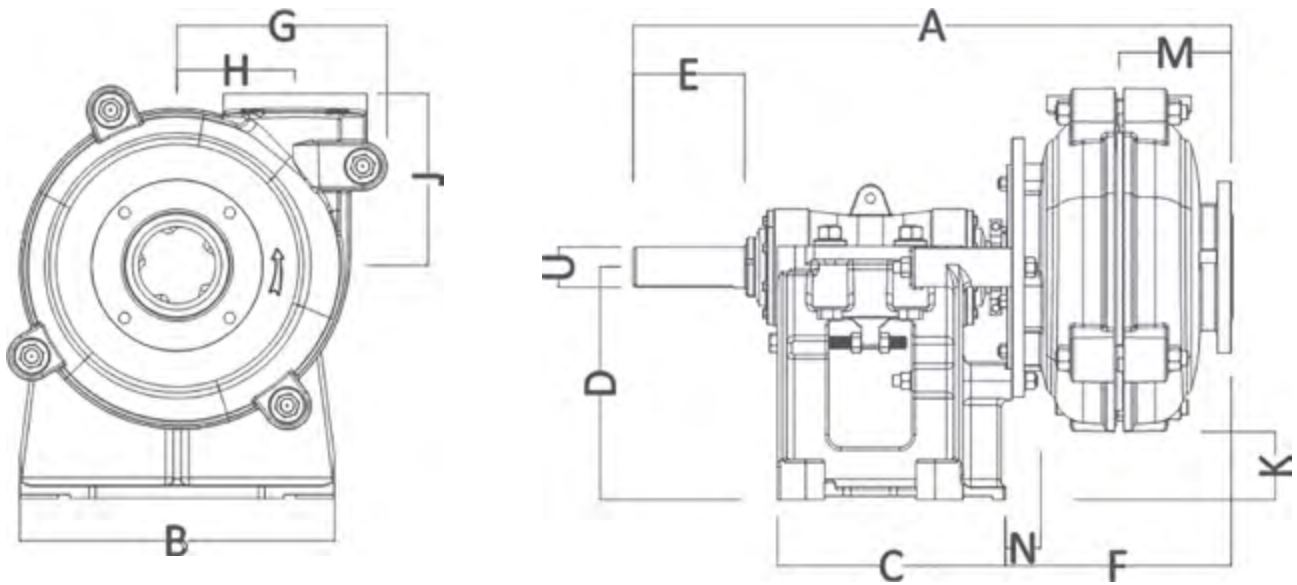
Suction	300 mm (12")
Discharge	250 mm (10")
Maximum RPM	900
Sealing system	Gland packing
Liner material	High chrome
Impeller material	High chrome
Throat bush	High chrome
Maximum motor power	560 kW
Weight-Bare shaft pump	4300 kg



NOTE This information is for guidance/reference only. For application specific drawings and curves, please contact your nearest authorised distributor at slurrypro.com

Silver Series

SS12x10-003365



A	B	C	D	E	F	G	H
1816	1150	780	642	280	762	755	464

J	K	L	M	N	U	Key size
673	0	65	381	117	120	32 x 18

All values in millimetres (mm)

NOTE This information is for guidance/reference only. For application specific drawings and curves, please contact your nearest authorised distributor at slurrypro.com