



SS10x8-201145

SLURRYPRO[®]

A BETTER SLURRY PUMP EXPERIENCE

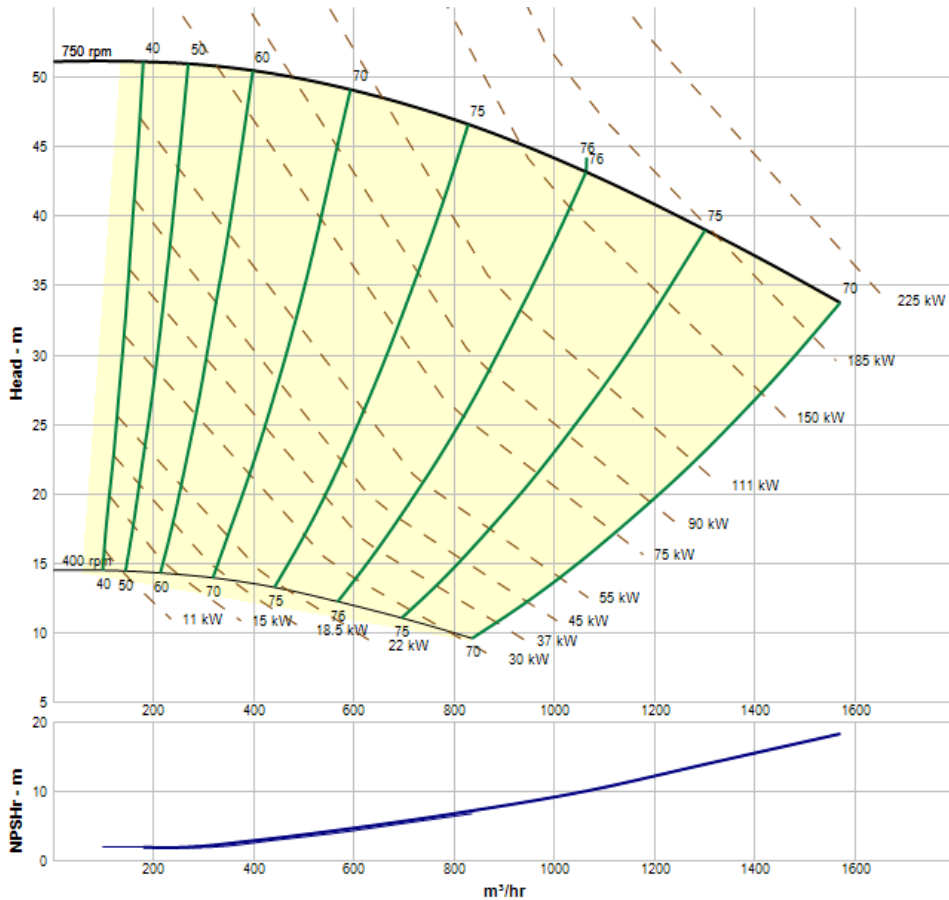


slurrypro.com

SSI0x8-201145

SlurryPro Silver Series 10x8 centrifugal slurry pump. Featuring a standard expeller, heavy duty SKF bearing, rubber impeller, rubber liner and a maximum motor power of 260kW.

Performance



Specification

Suction	254mm (10")
Discharge	203mm (8")
Maximum RPM	750
Sealing System	Standard Expeller
Liner Material	Rubber
Impeller Material	Rubber
Throat Bush	Rubber
Max Motor Power	260kW
Weight-Bare Shaft Pump	2586kg

About SlurryPro

SlurryPro originated from a firm belief that your slurry pump experience could and should be better. In response to industry feedback and frustration with service and response times, SlurryPro Pumps has introduced a customer-centric focus and revolutionized the end-user experience.

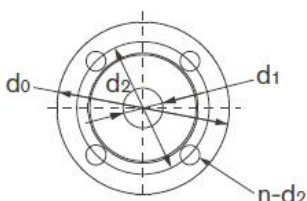
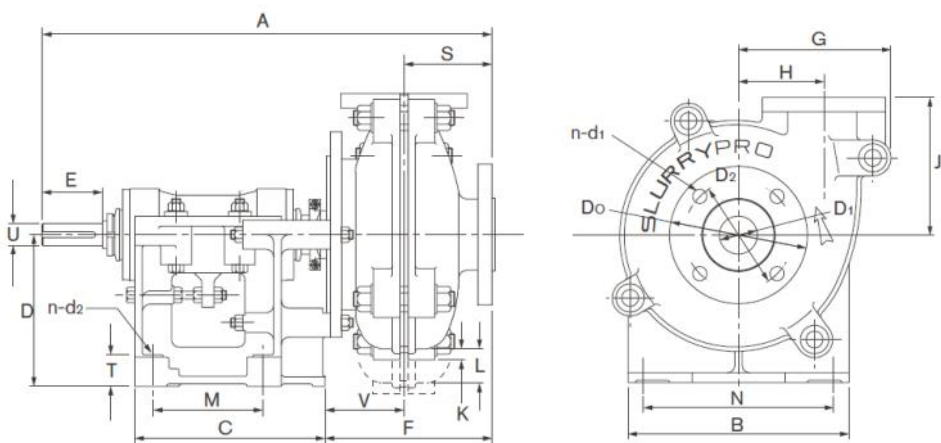
The core management team bring years of experience from the Australian and South American mining industry. This tough and unforgiving environment was the perfect birth place for a range of pumps focusing on superior wear life and reduced lifetime costs. We focus on the vital need to reduce downtime in our key markets of mining, chemicals and mineral processing.

Our range includes horizontal and vertical centrifugal slurry pumps, all designed for use in the heaviest duty applications such as mill discharge, process plant and tailings applications. They are also widely used in sand washing and recycling applications, as well as specialist areas such as difficult food washing and other abrasive processes.

We understand that reducing downtime relies on rapid and cost effective parts availability. With this in mind, we have invested heavily in stock within our distribution companies, leading to the fastest quoting and delivery times in the industry.

In short, if you're looking for a better slurry pump experience, including superior wear life, reduced lifetime cost and ease of ongoing maintenance there is quite simply no alternative to SlurryPro.

Dimensions



Suction Flange				Discharge Flange			
D0	D1	D2	n-d1	d0	d1	d2	n-d2
502	254	445	8 x Ø29	432	203	375	8 x Ø29

Size	A	B	C	D	U	E	F	G	H	J	K	L	M	N	V	T	S
10x8-201145	1337	622	448	457	80	222	585	568	368	470	-	83	257	546	-	76	325

SLURRYPRO®

A BETTER SLURRY PUMP EXPERIENCE

e: info@intraxglobal.com
t: +44 (0)114 229 3144

Please note that the information featured on this data sheet is for guidance/reference only. For application specific drawings and curves, contact your nearest authorised distributor. SlurryPro is part of the Intrax Global Group. 080818.