



**INTERSTATE-McBEE**



**AUGUST 2015**



**REPLACEMENT**  
Electronic Fuel Injectors  
& Components For:

**Detroit Diesel® – Series 60**  
**Cummins® Celect® – N14 & M11**  
**Caterpillar® – HEUI & EUI**  
**Navistar® – HEUI**





**INTERSTATE-McBEE**



**CATERPILLAR EUI COMPONENTS**

| Item         | Description               | Item              | Description          |
|--------------|---------------------------|-------------------|----------------------|
| 8991000      | SEAL - SOLENOID           | M-2245797         | GASKET SET - C10 C12 |
| 8991004      | INSTALLATION KIT          | M-9X7317          | Seal O-Ring          |
| 8991005      | Seal Ring                 | M-1198784         | Seal O-Ring          |
| 8991000      | Seal - Solenoid           | M-2153198         | Seal O-Ring          |
| 8991006      | Capscrew                  | M-2274239ORK      | O-RING KIT - 3406E   |
| 8991007      | Capscrew                  | M-1662904         | Seal O-Ring          |
| 8991008      | Capscrew                  | M-9X7430          | Seal O-Ring          |
| 8991021      | SPRING - FOLLOWER         | M-2303728         | SEAL - O-RING        |
| MCB06800-32  | P&B ASSY                  | M-2303775         | SEAL - O-RING        |
| M-1006165    | SPRING - VALVE            | MCB23250-32       | OIL CONTROL ASSY     |
| M-1063385    | GASKET SET - 3500 EUI     | MCB23952-31       | CONTROL VALVE        |
| M-9X7735     | External O-Ring           | M-2421539         | O-RING KIT - 3126    |
| M-1949584    | O-Ring Seal               | M-1093207         | Seal O-Ring          |
| M-1080219ORK | SEAL KIT                  | M-1333715         | Seal O-Ring          |
| M-0618561    | Seal O-Ring               | M-1482903         | Seal O-Ring          |
| M-6V5266     | Seal O-Ring               | M-1495240         | Seal O-Ring          |
| M-1079570    | Seal O-Ring               | M-1504105         | Seal O-Ring          |
| M-2N7174     | Gasket                    | M-2373800         | Seal O-Ring          |
| MCB11957-32  | CHECK VALVE               | M-2454907         | SEAL - O-RING        |
| MCB13701-32  | HYDRAULIC PLATE           | M-2454908         | SEAL - O-RING        |
| MCB13702-32  | HYDRAULIC PLATE           | M-2481394         | O-RING KIT EXTERNAL  |
| MCB13703-32  | SPOOL VENT PLATE          | M-2303728         | Seal O-Ring          |
| MCB13711-32  | HYDRAULIC PLATE           | M-2303775         | Seal O-Ring          |
| MCB13712-32  | HYDRAULIC PLATE           | M-9X7317          | Seal O-Ring          |
| M-1895390    | GASKETSET-SINGLE FUELINJ. | MCB41926-32       | NOZZLE ASSY 10R4761  |
| M-2303775    | Seal O-Ring               | MCB41956-32       | NOZZLE ASSY 10R4762  |
| M-2303728    | Seal O-Ring               | MCB41976-32       | NOZZLE ASSY 10R4763  |
| M-9X7317     | Seal O-Ring Fuel Inj 3400 | M-6V9897          | GASKET SET           |
| M-2037767    | GASKET SET - 34003        | M-6V1250          | Seal O-Ring          |
| M-3E6747     | Seal O-Ring               | M-1949584         | Seal O-Ring          |
| M-9X7681     | Seal O-Ring               | MCB15017-31       | NUT - NOZZLE         |
| M-2235850    | GASKET SET - 3176B        | MCB41916-31       | NOZZLE               |
| M-9X7317     | Seal O-Ring               | MCB41918-31       | NOZZLE GROUP         |
| M-9X7722     | Seal O-Ring               | MCB41926-31 & -32 | NOZZLE               |
| M-2153198    | Seal O-Ring               | MCB41936-31 & -32 | NOZZLE               |
|              |                           | MCB41946-31       | NOZZLE               |
|              |                           | MCB41976-31 & -32 | NOZZLE               |

Note: Indented Items are included in kit or set above



# INTERSTATE-McBEE



## CATERPILLAR

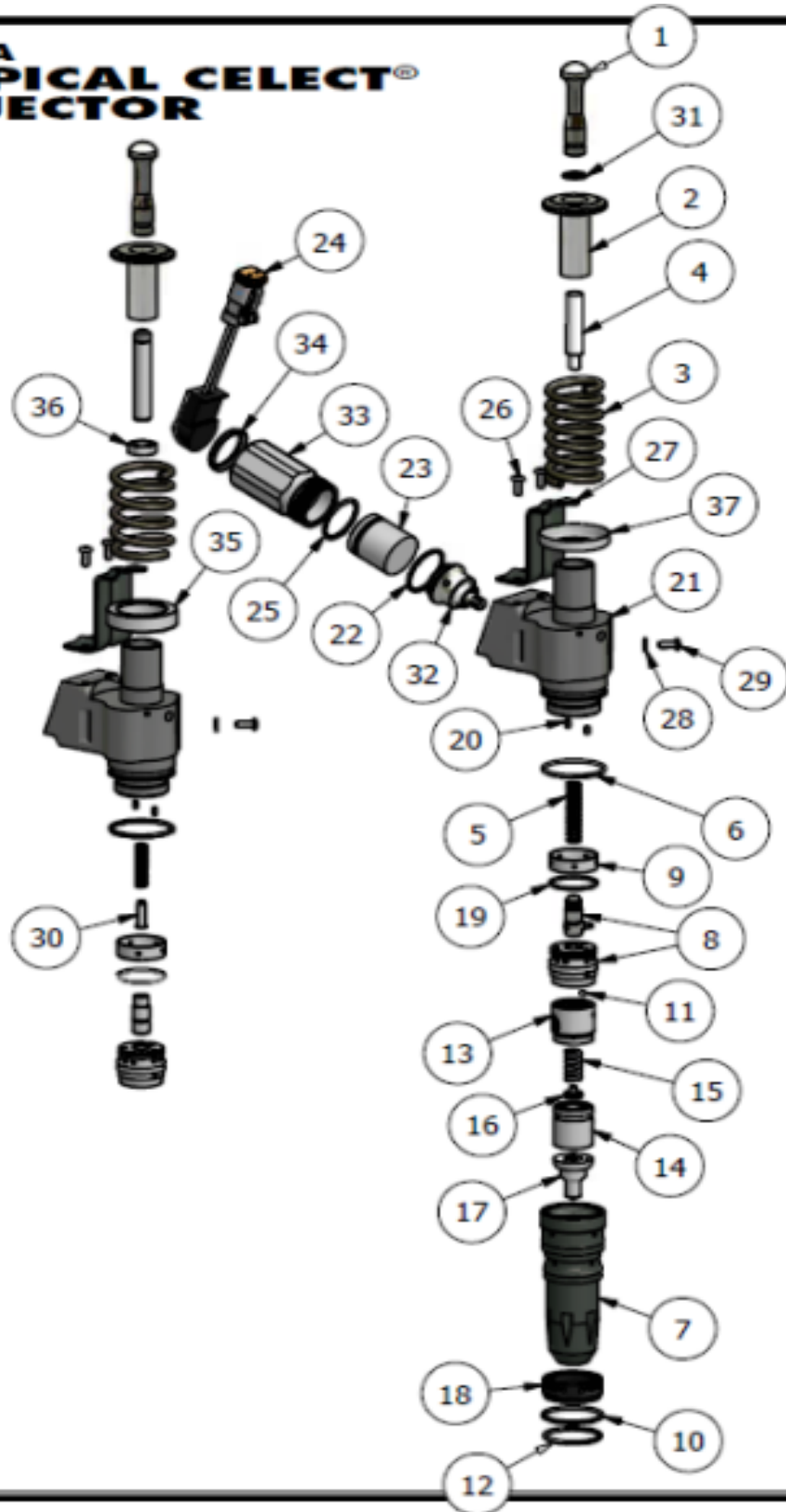
| Item Number | Description               | Core Code    |
|-------------|---------------------------|--------------|
| R-0R4893    | REMAN INJECTOR, 3406E     | C-3406ETYPE3 |
| R-0R4987    | REMAN INJECTOR, C10/C12   | C-1012E      |
| R-0R4988    | REMAN INJECTOR, C10/C12   | C-1012F      |
| R-0R8773    | REMAN INJECTOR, C10/C12   | C-1012C      |
| R-0R8774    | REMAN INJECTOR, C10/C12   | C-1012C      |
| R-0R8775    | REMAN INJECTOR, C10/C12   | C-1012C      |
| R-0R8776    | REMAN INJECTOR, C10/C12   | C-1012C      |
| R-0R9348    | REMAN INJECTOR, 3126B     | C-3126BTYP1  |
| R-0R9349    | REMAN INJECTOR, 3126B     | C-3126BTYP2  |
| R-0R9350    | REMAN INJECTOR, 3126B     | C-3126BTYP2  |
| R-0R9888    | REMAN INJECTOR, C10/C12   | C-1012C      |
| R-10R0725   | REMAN INJECTOR, C10/C12   | C-1012A      |
| R-10R0781   | REMAN INJECTOR, 3126B     | C-3126BTYP2  |
| R-10R0782   | REMAN INJECTOR, 3126B     | C-3126BTYP2  |
| R-10R0956   | REMAN INJECTOR, 3406E     | C-3406ETYPE1 |
| R-10R0957   | REMAN INJECTOR, 3406E     | C-3406ETYPE2 |
| R-10R0958   | REMAN INJECTOR, 3406E     | C-3406ETYPE2 |
| R-10R0959   | REMAN INJECTOR, 3406E     | C-3406ETYPE3 |
| R-10R0961   | REMAN INJECTOR, C10/C12   | C-1012B      |
| R-10R0963   | REMAN INJECTOR, C10/C12   | C-1012C      |
| R-10R0966   | REMAN INJECTOR, C10/3176C | C-1012D      |
| R-10R0967   | REMAN INJECTOR, C10/C12   | C-1012E      |
| R-10R0968   | REMAN INJECTOR, C12       | C-1012F      |
| R-10R1262   | REMAN INJECTOR, 3126B     | C-3126B1     |
| R-10R2780   | REMAN INJECTOR, 3406E     | C-3406ETYPE3 |
| R-10R2781   | REMAN INJECTOR, 3406E     | C-3406ETYPE2 |
| R-10R4761   | REMAN INJECTOR, C7        | C-C7         |
| R-10R4762   | REMAN INJECTOR, C7        | C-C7         |
| R-10R4763   | REMAN INJECTOR, C7        | C-C7         |
| R-10R8501   | REMAN INJECTOR, 3406E     | C-3406ETYPE2 |
| R-10R8502   | REMAN INJECTOR, 3406E     | C-3406ETYPE3 |



Note: Indented Items are included in kit or set above



**FIG. A  
TYPICAL CELECT®  
INJECTOR**





## CUMMINS INJECTOR

| FIG. A | ITEM                                      | DESCRIPTION                   | NOTE            |
|--------|---|-------------------------------|-----------------|
| 1      | M-3078226                                 | INJECTOR PLUNGER LINK         | 91N14 & UP      |
| 1      | M-3072485                                 | INJECTOR PLUNGER LINK         | 91N14           |
| 2      | M-3083863                                 | PLUNGER COUPLING              | 91N14 & UP      |
| 2      | M-3081342                                 | PLUNGER COUPLING              | 91N14           |
| 3      | M-3411340                                 | PLUNGER COUPLING SPRING       | 91N14 & UP      |
| 3      | 7991021                                   | PLUNGER COUPLING SPRING       | 91N14           |
| 4      | M-3087552                                 | UPPER PLUNGER - MALE          | 91N14 & UP      |
| 4      | 7991022                                   | UPPER PLUNGER - FEMALE        | 91N14           |
| 5      | M-3081388                                 | UPPER PLUNGER SPING - MALE    | 91N14 & UP      |
| 5      | M-3081371                                 | UPPER PLUNGER SPING - FEMALE  | 91N14           |
| 6      | M-3070136                                 | O-RING SEAL TOP               | Red             |
| 10     | M-3070137                                 | O-RING SEAL MIDDLE            | White           |
| 12     | M-3070138                                 | O-RING SEAL BOTTOM            | Blue            |
| 7      | M-3073244                                 | CUP RETAINER                  |                 |
| 7      | M-3070184                                 | CUP RETAINER                  | For R-3652541   |
| 8      | M-3411711                                 | PLUNGER AND BARREL - MALE     | 91N14 & UP      |
| 8      | 7991093                                   | PLUNGER AND BARREL - FEMALE   | 91N14           |
| 9      | M-3070113                                 | INJECTOR SLEEVE               |                 |
| 11     | M-3076068                                 | BALL CHECK                    |                 |
| 13     | M-3072823                                 | SPRING HOUSING SPACER ASSY    |                 |
|        | M-3072819                                 | -Spring Housing Spacer        |                 |
|        | M-3072822                                 | -Socket Set Screw             |                 |
|        | M-3072820                                 | -Spring                       |                 |
|        | M-3072821                                 | -Spring Guide                 |                 |
| 14     | M-3066736                                 | VALVE SPRING HOUSING          |                 |
| 15     | M-3066738                                 | VALVE SPRING                  |                 |
| 16     | M-3067426                                 | VALVE SPRING RETAINER         |                 |
| 16     | M-3067426+1                               | VALVE SPRING RETAINER         | Oversize .003"  |
| 16     | M-3067426-1                               | VALVE SPRING RETAINER         | Undersize .003" |
| 17     | <b>SPRAY TIP - SEE CHART ON NEXT PAGE</b> |                               |                 |
| 18     | M-3071967                                 | FILTER SCREEN                 |                 |
| 19     | M-3068959                                 | BARREL O-RING                 |                 |
| 20     | 7991016                                   | GROOVE PIN (2 per)            | 91N14 & UP      |
| 21     | 7991019                                   | INJECTOR BODY                 | 91N14           |
| 21     | 7991025                                   | INJECTOR BODY                 |                 |
| 22     | M-3034408                                 | CONTROL VALVE O-RING          |                 |
| 23     | M-3811021                                 | SOLENOID                      |                 |
| 24     | M-3076256                                 | WIRING HARNESS                |                 |
| 25     | M-3075658                                 | SOLENOID O-RING               |                 |
| 26     | M-3075613                                 | SOCKET HEAD CAP SCREW (2 per) |                 |
| 27     | M-3080766                                 | COUPLING RETAINER             |                 |
| 28     | M-3080421                                 | SEALING WASHER                |                 |
| 29     | M-3075613                                 | SOCKET HEAD CAP SCREW         |                 |
| 30     | 7991066                                   | PLUNGER SPRING GUIDE          |                 |
| 31     | M-3072486                                 | LINK RETAINER                 |                 |
| 26     | M-3075613                                 | SOCKET HEAD CAP SCREW (2 per) |                 |
| 27     | M-3080766                                 | COUPLING RETAINER             |                 |
| 28     | M-3080421                                 | SEALING WASHER                |                 |
| 29     | M-3075613                                 | SOCKET HEAD CAP SCREW         |                 |
| 30     | 7991066                                   | PLUNGER SPRING GUIDE          |                 |
| 31     | M-3072486                                 | LINK RETAINER                 |                 |
| 32     | M-3034407                                 | CONTROL VALVE ASSEMBLY        |                 |
| 33     | Not Available                             | SOLENOID NUT                  |                 |
| 34     | 7991091                                   | RETAINING RING                |                 |
| 35     | M-3080767                                 | SPACER                        | 91N14           |
| 36     | 7991026                                   | PLUNGER SPACER                | 91N14           |
| 37     | M-3411775                                 | SPRING RETAINER               |                 |

Note: Indented Items are included in kit or set above



### CELECT SPRAY TIPS

| DRAWING NUMBER | INJECTOR PART NUMBER | SPRAY TIP PART NUMBER | TYPE | DRAWING NUMBER | INJECTOR PART NUMBER | SPRAY TIP PART NUMBER | TYPE |
|----------------|----------------------|-----------------------|------|----------------|----------------------|-----------------------|------|
| 17             | 3087557              | M-3084592             | M11  | 17             | 3411762              | M-3409978             | N14  |
| 17             | 3087560              | M-3609861             | N14  | 17             | 3411763              | M-3087791             | N14  |
| 17             | 3411752              | M-3084592             | M11  | 17             | 3411764              | M-3088175             | N14  |
| 17             | 3411753              | M-3095043             | M11  | 17             | 3411765              | M-3411690             | N14  |
| 17             | 3411754              | M-3095729             | M11  | 17             | 3411766              | M-3411694             | N14  |
| 17             | 3411755              | M-3095734             | M11  | 17             | 3411767              | M-3411388             | N14  |
| 17             | 3411756              | M-3609925             | M11  | 17             | 3652516              | M-3076072             | L10  |
| 17             | 3411758              | M-3411404             | M11  | 17             | 3652540              | M-3079963             | L10  |
| 17             | 3411759              | M-3609861             | N14  | 17             | 3652541              | M-3076071             | N14  |
| 17             | 3411760              | M-3609855             | N14  | 17             | 3652542              | M-3076071             | N14  |
| 17             | 3411761              | M-3609852             | N14  |                |                      |                       |      |

### CUMMINS INJECTOR KITS

| ITEM           | CONTAINS REFERENCE NUMBER IN FIG. A                      |
|----------------|--|
| MCBN14INJ      | 6, 10, 12  |
| MCB26124       | 6, 10, 12, 18  |
| MCB26104       | 6, 10, 12, 19, 22, 26, 28, 29                            |
| MCB26129       | 5, 6, 10, 12, 11, 15, 18, 19, 22, 25, 26, 28, 29         |
| MCB306000<br>1 | 5, 6, 10, 12, 11, 15, 16, 18, 19, 22, 24, 25, 26, 28, 29 |

### CUMMINS EUI COMPONENTS

| Item      | Description                         | Item         | Description                          |
|-----------|-------------------------------------|--------------|--------------------------------------|
| 7991093   | BARREL & PLUNGER ASSY. FEMALE       | M-129888     | Seal - Square Cut Shutdown Valve     |
| 7991137   | SEAL - O-RING SOLENOID              | M-139988     | Seal                                 |
| M-3034407 | VALVE - CONTROL                     | M-146483     | Screen                               |
| M-3072820 | GUIDE SPRING                        | M-151900     | Seal O-Ring                          |
| M-3074219 | RETAINER                            | M-160514     | Washer - Fuel Pump Damper            |
| M-3075658 | SEAL - O-RING - CELECT              | M-213079     | Ring - Seal                          |
| M-3076072 | SPRAY TIP                           | M-202897     | Diaphragm                            |
| M-3078236 | SPRING - INJECTOR CELECT            | M-4026171    | Gasket - Fuel Pump                   |
| M-3079963 | SPRAY TIP - CELECT                  | M-3824010    | CONNECTOR - ELECTRICAL               |
| M-3080702 | SCREW                               | M-3991167    | SOLENOID - FUEL PUMP                 |
| M-3083872 | SCREW - INJECTOR                    | M-4009692    | SCREEN - FILTER ISX                  |
| M-3084592 | SPRAY TIP                           | M-4025062    | INJECTOR KIT - ISX                   |
| M-3087316 | SCREEN, FILTER                      | M-3347937    | Seal O-Ring                          |
| M-3095043 | SPRAY TIP                           | M-3347939    | Seal O-Ring Injector                 |
| M-3095729 | SPRAY TIP                           | M-3330537    | Seal O-Ring                          |
| M-3095734 | SPRAY TIP                           | M-3330538    | Seal O-Ring                          |
| M-3411404 | SPRAY TIP                           | M-4025063    | KIT SEAL                             |
| M-3412890 | CONNECTOR - ELECTRICAL              | M-3348515    | Pin - Spiral                         |
| M-3609925 | SPRAY TIP                           | M-4025062    | Kit - Injector O-Ring ISX(see above) |
| M-3803477 | CELECT SEAL KIT - FRONT DRIVE SHAFT | 4025063SEAL  | Seal                                 |
| M-3803478 | CELECT FUEL PUMP OVERHAUL SEAL KIT  | M-4025063-OH | INJECTOR KIT - ISX                   |
| M-3021123 | Seal O-Ring                         | 4025063SEAL  | Seal                                 |
| M-3034412 | Seal O-Ring                         | M-3348515    | Pin - Spiral                         |
| M-3037537 | Seal O-Ring Turbo Oil Inlt          | M-4025062    | Kit - Injector O-Ring ISX(see above) |
| M-3056415 | Seal O-Ring                         | M-3087316    | Screen, Filter                       |
| M-3080837 | Gasket - Front Cover Fuel Pump      | M-4009692    | Screen, Filter ISX                   |
| M-3803477 | Kit - Seal - Fr Drive Shaft         | M-4061854    | TIP SPRAY                            |
| M-100099  | Seal O-Ring                         | M-4902924    | SPRAY TIP                            |
| M-110855  | Gasket                              | M-4902928    | SPRAY TIP                            |

Note: Indented Items are included in kit or set above



## CUMMINS EUI COMPONENTS, continued ...

| Item      | Description                        |
|-----------|------------------------------------|
| M-4916741 | SEAL - O-RING - SMALL DIA.         |
| M-4916742 | SEAL - O-RING - LARGE DIA.         |
| M-4928174 | SPRAY TIP                          |
| MCB26104  | CELECT INJECTOR REPAIR KIT N14     |
| M-3070136 | Seal - O-Ring Injector Top         |
| M-3070137 | Seal - O-Ring Injector Middle      |
| M-3070138 | Seal - O-Ring Injector Bottom      |
| M-3075613 | Screw                              |
| M-3080421 | Washer                             |
| M-3068959 | Seal - O-Ring                      |
| M-3034408 | Seal - O-Ring                      |
| MCB26105  | CELECT INJECTOR REPAIR KIT L10/M11 |
| M-3075658 | Seal - O-Ring CELECT               |
| M-3070136 | Seal - O-Ring Injector Top         |
| M-3070137 | Seal - O-Ring Injector Middle      |
| M-3070138 | Seal - O-Ring Injector Bottom      |
| M-3075613 | Screw                              |
| M-3080421 | Washer                             |
| M-3068959 | Seal - O-Ring                      |
| M-3034408 | Seal - O-Ring                      |
| MCB26124  | CELECT INSTALLATION SEAL KIT       |
| M-3070136 | Seal - O-Ring Injector Top         |
| M-3070137 | Seal - O-Ring Injector Middle      |
| M-3070138 | Seal - O-Ring Injector Bottom      |
| M-3071967 | Screen - Filter CELECT Inj         |
| MCB26125  | KIT - INJECTOR                     |
| M-3070136 | Seal O-Ring Injector TOP           |
| M-3070137 | Seal O-Ring Injector MID           |
| M-3070138 | Seal O-Ring Injector BTM           |
| M-3071967 | Screen - Filter Celect Injector    |
| M-3075658 | Seal O-Ring Celect                 |
| M-3034408 | Seal O-Ring Celect                 |
| M-3068959 | Seal O-Ring                        |
| MCB26129  | CELECT INJECTOR REPAIR KIT         |
| M-3075613 | Screw                              |
| M-3080421 | Washer                             |
| M-3075658 | Seal - O-Ring CELECT               |
| M-3034408 | Seal - O-Ring                      |
| M-3070136 | Seal - O-Ring Injector Top         |
| M-3070137 | Seal - O-Ring Injector Middle      |
| M-3070138 | Seal - O-Ring Injector Bottom      |
| M-3071967 | Screen - Filter CELECT Inj         |

| Item                         | Description                          |
|------------------------------|--------------------------------------|
| M-3076068                    | Ball -check - CELECT                 |
| M-3080811                    | Screw - Socket Head Cap              |
| M-3068959                    | Seal - O-Ring                        |
| M-3066738                    | Spring - CELECT                      |
| M-3081388                    | Spring - Injector                    |
| M-3081371                    | Spring                               |
| MCB26129G                    | KIT REPAIR - CELECT INJECTOR         |
| Same as MCB6129 <i>PLUS:</i> |                                      |
| M-3067426                    | Retainer - Injector Celect           |
| 7991137                      | Seal O-Ring Solenoid Celect          |
| MCB3060001                   | CELECT INJECTOR REPAIR KIT           |
| M-3075658                    | Seal - O-Ring CELECT                 |
| M-3081371                    | Spring                               |
| M-3067426                    | Retainer - Injector                  |
| M-3081388                    | Spring - Injector                    |
| M-3066738                    | Spring - CELECT                      |
| M-3076256                    | Harness - Wiring                     |
| M-3070136                    | Seal - O-Ring Injector Top           |
| M-3070137                    | Seal - O-Ring Injector Middle        |
| M-3070138                    | Seal - O-Ring Injector Bottom        |
| M-3080421                    | Washer                               |
| M-3075613                    | Screw                                |
| M-3068959                    | Seal - O-Ring                        |
| M-3034408                    | Seal - O-Ring                        |
| M-3071967                    | Screen - Filter Celect Injector      |
| 7991137                      | Seal O-Ring Solenoid Celect          |
| M-3076068                    | Ball - Check - CELECT                |
| MCBISXINJ                    | superceded by M-4025062 above        |
| MCBISXINJ-1                  | KIT SEAL - INECTOR                   |
| M-4025062                    | Kit - Injector O-Ring ISX(see above) |
| M-3087316                    | Screen, Filter                       |
| M-4009692                    | Screen, Filter ISX                   |
| MCBISXINJ-2                  | KIT - INJECTOR O-RING                |
| M-3347939                    | Seal O-Ring Injector                 |
| M-2872717                    | Seal Injector                        |
| MCBM11INJ                    | KIT - INJECTOR O-RING                |
| M-3070136                    | Seal O-Ring Injector TOP             |
| M-3070137                    | Seal O-Ring Injector MID             |
| M-3070138                    | Seal O-Ring Injector BTM             |
| MCBN14INJ                    | KIT - INJECTOR O-RING                |
| M-3070136                    | Seal O-Ring Injector TOP             |
| M-3070137                    | Seal O-Ring Injector MID             |
| M-3070138                    | Seal O-Ring Injector BTM             |

Note: Indented Items are included in kit or set above





## CUMMINS

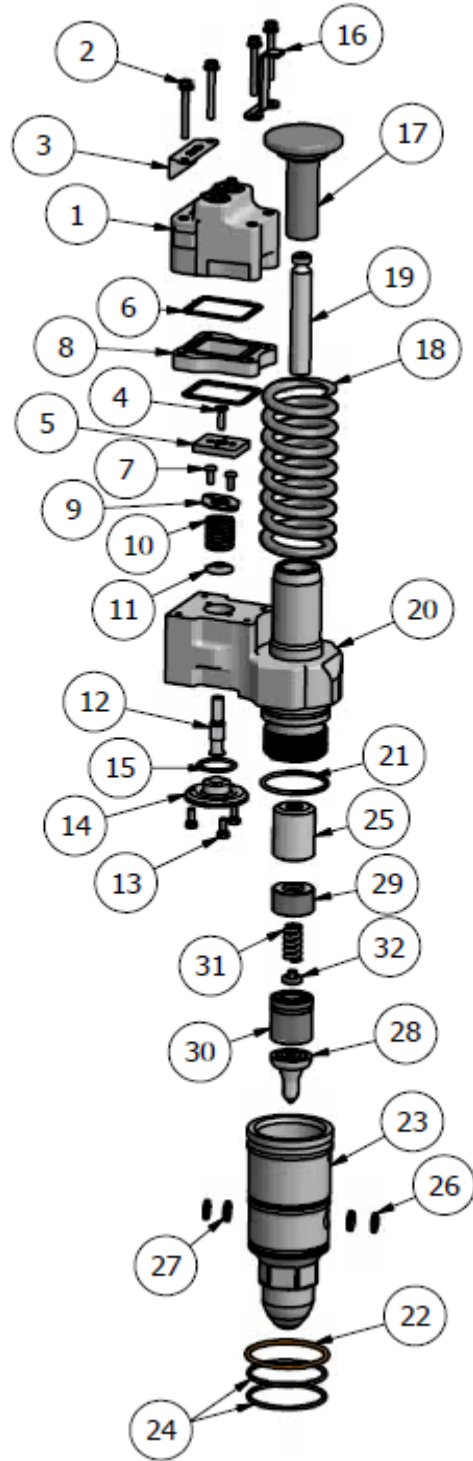
| Item Number | Description               | Core Code |
|-------------|---------------------------|-----------|
| R-3081319   | INJ CELECT L10 PHASE II   | C-CELECT4 |
| R-3087557   | INJ REMAN M11 CELECT      | C-CELECT2 |
| R-3087560   | INJ REMAN N14 CELECT      | C-CELECT3 |
| R-3087560   | INJ CELECT 94N14 NE1      | C-CELECT3 |
| R-3411753   | INJ REMAN M11 CELECT      | C-CELECT2 |
| R-3411754   | INJ CELECT 95M11 EURO2    | C-CELECT2 |
| R-3411756   | INJ REMAN M11 CELECT      | C-CELECT2 |
| R-3411758   | INJ REMAN M11 CELECT      | C-CELECT2 |
| R-3411760   | INJ REMAN N14 CELECT      | C-CELECT3 |
| R-3411761   | INJ REMAN N14 CELECT      | C-CELECT3 |
| R-3411762   | INJ CELECT 95 N14         | C-CELECT3 |
| R-3411763   | INJ REMAN N14 CELECT      | C-CELECT3 |
| R-3411764   | INJ REMAN N14 CELECT      | C-CELECT3 |
| R-3411765   | INJ CELECT 98 NE1         | C-CELECT3 |
| R-3411766   | INJ REMAN N14 CELECT      | C-CELECT3 |
| R-3411767   | INJ REMAN N14 CELECT      | C-CELECT3 |
| R-3652516   | INJ CELECT L10 PHASE I    | C-CELECT5 |
| R-3652540   | INJ CELECT L10 PHASE II   | C-CELECT4 |
| R-3652541   | INJ CELECT N14 PHASE I    | C-CELECT6 |
| R-3652542   | INJ REMAN N14 CELECT      | C-CELECT1 |
| R-4026222   | INJ CELECT 99M11 DEFENDER | C-CELECT2 |
| R-4061851   | INJ CELECT EURO III M11   | C-CELECT2 |





**DETROIT DIESEL SERIES 60 INJECTOR**

| DRAWING NUMBER | PART NUMBER | DESCRIPTION                               |
|----------------|-------------|---|
| 1              | 4991685     | SOLENOID (WITHOUT GROOVE)                 |
| 2              | A-5235586   | SCREW, SOLENOID ASSY (4 REQ PER INJECTOR) |
| 3              | 4991452     | LOAD PLATE                                |
| 4              | 4991454     | FLAT HEAD SCREW                           |
| 5              | 4991453     | <b>ARMATURE - CALL WITH SIZES</b>         |
| 6              | A-5234224   | SPACER SEAL, SOLENOID                     |
| 7              | 4991455     | PAN HEAD SCREW                            |
| 8              | 4991456     | <b>SPACER SOLENOID - CALL WITH SIZES</b>  |
| 9              | 4991457     | RETAINER, SPRING                          |
| 10             | 4991458     | SPRING, CONTROL VALVE                     |
| 11             | 4991469     | SEAT, CONTROL VALVE SPRING                |
| 12             | 4991459     | CONTROL VALVE - CALL WITH SIZES           |
| 13             | 4991470     | HEX HEAD SCREW                            |
| 14             | 4991460     | <b>VALVE STOP - CALL WITH SIZES</b>       |
| 15             | 4991539     | O-RING, INTERNAL                          |
| 16             | 4991450     | RETAINER, FOLLOWER (OLD STYLE)            |
| 16             | 4991598     | RETAINER, FOLLOWER (NEW STYLE)            |
| 17             | 4991444     | FOLLOWER                                  |
| 18             | 4991597     | SPRING, FOLLOWER (NEW STYLE)              |
| 19             | 4991446     | PLUNGER                                   |
| 20             | 4991471     | BODY ASSEMBLY                             |
| 21             | A-5234701   | O-RING, INTERNAL                          |
| 22             | A-5234702   | O-RING, EXTERNAL                          |
| 23             | 4991636     | NUT ASSEMBLY (FILTERS INSTALLED)          |
| 24             | A-5234699   | O-RING, EXTERNAL                          |
| 25             | 4991462     | SPACER                                    |
| 26             | 4991448     | FILTER RETAINER (2 REQ PER INJECTOR)      |
| 27             | 4991449     | FILTER RETAINER (2 REQ PER INJECTOR)      |
| 28             |             | <b>SPRAY TIP - SEE CHART ON NEXT PAGE</b> |
| 29             | 4991463     | CHECK VALVE CAGE                          |
| 30             | 4991465     | VALVE SPRING CAGE                         |
| 31             | 4991464     | VALVE SPRING                              |
| 32             | 4991466     | VALVE SPRING SEAT                         |





**INTERSTATE-McBEE**



**DETROIT DIESEL SPRAY TIPS**

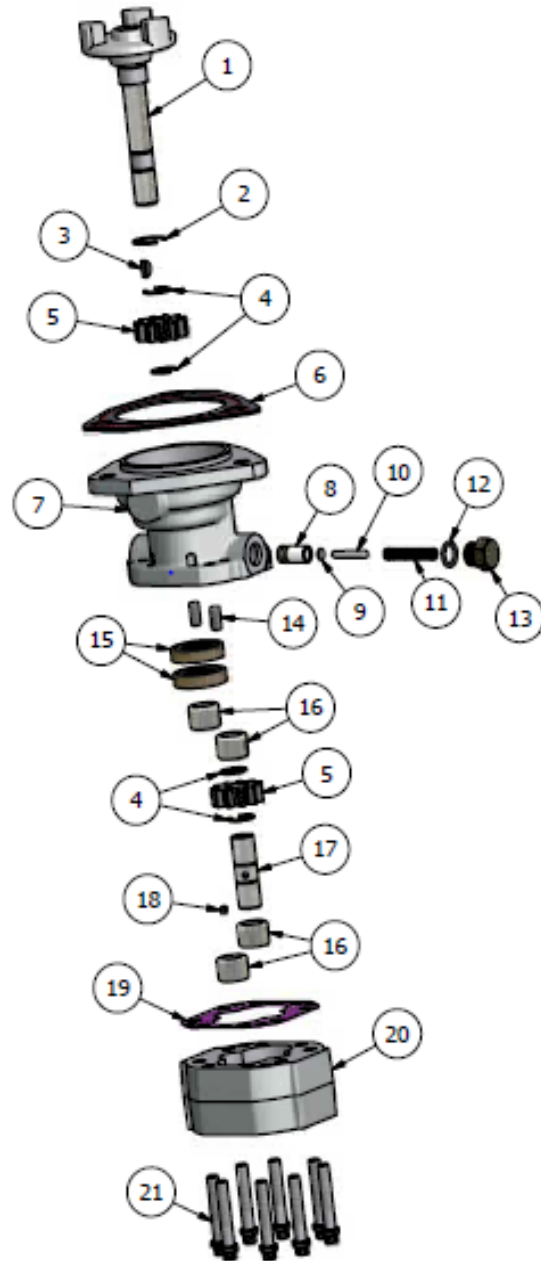
| DRAWING NUMBER | INJECTOR PART NUMBER | SPRAY TIP PART NUMBER | NUMBER OF HOLES |
|----------------|----------------------|-----------------------|-----------------|
| 28             | R-5234785            | 4991753-C2A           | 9               |
| 28             | R-5234795            | 4991754-D5            | 9               |
| 28             | R-5234865            | 4991753-C1A           | 9               |
| 28             | R-5234870            | 4991753-C2            | 9               |
| 28             | R-5234935            | 4991753-C1            | 9               |
| 28             | R-5234940            | 4991753-C3            | 9               |
| 28             | R-5234945            | 4991754-D4            | 9               |
| 28             | R-5234970            | 4991754-D3            | 9               |
| 28             | R-5235550            | 4991752-B3            | 8               |
| 28             | R-5235575            | 4991752-B5            | 8               |
| 28             | R-5235580            | 4991751-A1            | 8               |
| 28             | R-5235600            | 4991754-D2            | 9               |
| 28             | R-5235605            | 4991753-C1            | 9               |
| 28             | R-5235695            | 4991754-D3            | 9               |
| 28             | R-5235915            | 4991752-B6            | 8               |
| 28             | R-5236347            | 4991752-B4            | 8               |
| 28             | R-5236977            | 4991752-B3            | 8               |

| DRAWING NUMBER | INJECTOR PART NUMBER | SPRAY TIP PART NUMBER | NUMBER OF HOLES |
|----------------|----------------------|-----------------------|-----------------|
| 28             | R-5236978            | 4991751-A1            | 8               |
| 28             | R-5236980            | 4991752-B4            | 8               |
| 28             | R-5236981            | 4991752-B1            | 8               |
| 28             | R-5237014            | 4991754-D2            | 9               |
| 28             | R-5237042            | 4991751-A2            | 8               |
| 28             | R-5237045            | 4991752-B4            | 8               |
| 28             | R-5237099            | 4991752-B2            | 8               |
| 28             | R-5237315            | 4991748-E3            | 9               |
| 28             | R-5237320            | 4991754-D2            | 9               |
| 28             | R-5237466            | 4991752-B5            | 8               |
| 28             | R-5237473            | 4991748-E5            | 9               |
| 28             | R-5237635            | 4991753-C2            | 9               |
| 28             | R-5237650            | 4991754-D1            | 9               |
| 28             | R-5237787            | 4991753-C1            | 9               |
| 28             | R-5237820            | 4991753-C1A           | 9               |
| 28             | R-5237821            | 4991753-C1A           | 9               |



**DETROIT DIESEL FUEL PUMP COMPONENTS**

| ITEM        | DESCRIPTION                    |                       |                   |
|-------------|--------------------------------|-----------------------|-------------------|
| A-23532981  | PUMP-FUEL NEW S60 LATE STYLE   |                       |                   |
| R-23517845  | PUMP-FUEL REMAN S60 LATE STYLE |                       |                   |
| DRAWING NO. | ITEM                           | DESCRIPTION           | QUANTITY REQUIRED |
| 1           | A-23532977                     | SHAFT & HUB ASSEMBLY  | 1                 |
| 2           | Not Available                  | RETAINER RING (LARGE) | 1                 |
| 3           | 4992018                        | KEY                   | 1                 |
| 4           | A-8923522                      | SNAP RING             | 4                 |
| 5           | A-23506546                     | GEAR                  | 2                 |
| 6           | A-23505248                     | GASKET, BODY          | 1                 |
| 7           | 4991793                        | BODY, PUMP            | 1                 |
| 8           | A-8923528                      | VALVE, RELIEF         | 1                 |
| 9           | A-23506560                     | SPACER                | 1                 |
| 10          | A-23506564                     | PIN                   | 1                 |
| 11          | A-23506557                     | SPRING, RELIEF VALVE  | 1                 |
| 12          | A-23506556                     | SEAL                  | 1                 |
| 13          | A-23506555                     | CAP, RELIEF VALVE     | 1                 |
| 14          | A-23500694                     | ALIGNMENT PIN         | 2                 |
| 15          | A-23512243                     | OIL SEAL              | 2                 |
| 16          | A-8923526                      | NEEDLE BEARING        | 4                 |
| 17          | A-23506549                     | SHAFT, DRIVEN         | 1                 |
| 18          | A-8923521                      | PIN-GEAR              | 1                 |
| 19          | A-23516117                     | GASKET, COVER         | 1                 |
| 20          | 4991794                        | COVER, PUMP           | 1                 |
| 21          | A-23506551                     | SCREW W/LOCK WASHER   | 8                 |



R-23537686 was superseded by R-23517845

Note: An improved fuel pump replaced the former fuel pump, effective with July 1995 engine production. The improved and former pumps are similar, except that the improved pump has a one-piece drive shaft and hub assembly. The former pump has a separate drive shaft and drive hub. Former and improved pump assemblies are completely interchangeable. However, components of former and improved pump assemblies are not interchangeable.

The current fuel pump system consists of the following components:

- Barnes positive displacement type fuel pump with one-piece drive shaft and hub assembly
- Gear train mounting adaptor



**INTERSTATE-McBEE**



**DETROIT EUI COMPONENTS**

| Item                         | Description                               | Item                        | Description                            |
|------------------------------|---|-----------------------------|--|
| 4991444                      | FOLLOWER                                  | A-2353711                   | KIT - EXTERNAL INJECTOR SEAL S         |
| 4991446                      | PLUNGER,S60                               | A-5234702                   | O-Ring - Injector External             |
| 4991448                      | RETAINER FILTER                           | 4991720                     | O-Ring - Injector                      |
| 4991449                      | FILTER - INJECTOR                         | 4991721                     | O-Ring - Injector                      |
| 4991450                      | RETAINER FOLLOWER                         | 4991722                     | Washer, Injector                       |
| 4991452                      | PLATE - LOAD                              | A-8929393                   | Bolt                                   |
| 4991454                      | SCREW - FLAT HEAD                         | A-23535699                  | Washer - Injector Hold Down Clamp      |
| 4991455                      | SCREW - PAN HEAD                          | A-23537123                  | KIT - EXTERNAL INJECTOR SEAL           |
| 4991457                      | RETAINER,SPRING,S60                       | 4992288                     | Seal Ring Injector                     |
| 4991458                      | SPRING - CONTROL VALVE                    | 4992289                     | Seal Ring Injector                     |
| 4991462                      | SPACER - INJECTOR S60                     | A-23535778                  | Washer - Injector Hold Down Clamp      |
| 4991463                      | CAGE - CHECK VALVE S60                    | A-8929393                   | Bolt                                   |
| 4991464                      | SPRING VALVE INJECTOR S60                 | A-5230001                   | INJECTOR REPAIR KIT                    |
| 4991465                      | CAGE VALVE SPRING S60                     | 4991464                     | Spring - Valve Injector S60            |
| 4991469                      | SEAT - CONTROL VALVE SPRING EU            | A-5234224                   | Spacer - Seal Solenoid                 |
| 4991470                      | SCREW - HEX HEAD S60                      | A-5234699                   | O-Ring - Injector External             |
| 4991539                      | O-RING - INJECTOR S60                     | A-5234701                   | O-Ring - Injector Internal             |
| 4991597                      | SPRING FOLLOWER S60(NEW STYL              | A-5234702                   | O-Ring - Injector External             |
| 4991598                      | RETAINER FOLLOWER S60                     | 4991455                     | Screw - Pan Head                       |
| 4991636                      | NUT ASSEMBLY - INJ S50/60                 | 4991458                     | Spring - Control Valve                 |
| 4991722                      | WASHER,INJECTOR,S60,N3(GRAY)              | 4991539                     | O-Ring - Injector S60                  |
| A-23511870                   | GASKET - LOWER AUX INJ SEAL               | 4991466                     | Seat - Valve Spring S60                |
| A-23513605                   | HARNESS - INJECTOR CONTROL                | A-5235586                   | Screw - Solenoid Assembly (4 required) |
| A-23517845RK                 | S60 FUEL PUMP REPAIR KIT                  | 4991470                     | Screw - Hex Head S60                   |
| A-8923526                    | Bearing - Fuel Pump S60                   | 4991454                     | Screw - Flat Head                      |
| A-8923521                    | Pin - Gear Drive S60                      | A-23511870                  | Gasket - Lower Aux Inj Seal            |
| A-8923522                    | Ring - Gear Retaining S60                 | A-5104701                   | Seal - O-Ring Injector Tube            |
| A-23516117                   | Gasket - Fuel Pump                        | A-5230001-25                | KIT - INJECTOR REPAIR S60 BULK         |
| A-23516118                   | Gasket - Fuel Pump                        | Same as A-5230001 Kit above |  |
| 4991612                      | Gasket - Fuel Pump - Red                  | A-5234224                   | SPACER - SEAL SOLENOID                 |
| 4991613                      | Gasket - Fuel Pump - Green                | A-5234359                   | ELEMENT - INJECTOR FILTER DDEC         |
| A-23505249                   | Coupling - Shock                          | A-5234368                   | O-RING - INJECTOR                      |
| A-23512243                   | Seal - Fuel Pump Oil                      | A-5234691                   | O-RING                                 |
| A-23505248                   | Gasket - Fuel Pump                        | A-5234699                   | O-RING - INJECTOR EXTERNAL             |
| A-23506557                   | Spring - Relief Valve Fuel Pump           | A-5234699K                  | INJECTOR O-RING KIT                    |
| A-23517845RK-S               | REPAIR KIT, FUEL PUMP S60 W/SHAFT         | 4991539                     | O-Ring - Injector                      |
| Same as A-23517845RK PLUS:   |   | A-5234224                   | Spacer - Seal Solenoid                 |
| A-23532977                   | Shaft & Hub Assy                          | A-5234699                   | O-Ring - Injector External             |
| A-23517845RK-SG              | REPAIR KIT, FUEL PUMP S60 W/SHAFT & GEARS | A-5234702                   | O-Ring - Injector External             |
| Same as A-23517845RK-S PLUS: |   | A-23511870                  | Gasket - Lower Aux Inj Seal            |
| 4991816                      | Gear - Fuel Pump Drive                    | A-5104701                   | Seal - O-Ring Injector Tube            |
| A-23528939                   | FOLLOWER, SPRING, RETAINER KIT            | A-5234701                   | O-RING - INJECTOR INTERNAL             |
| 4991597                      | Spring - Follower S60 (New Style)         | A-5234702                   | O-RING - INJECTOR EXTERNAL             |
| 4991598                      | Retainer - Follower S60 (New Style)       | A-5235586                   | SCREW - SOLENOID ASSEMBLY S60          |
| A-5235586                    | Screw - Solenoid Assembly S60             | MCB26209                    | INTERNAL SEAL KIT                      |
| A-23528939B                  | FOLLOWER SPRING & RETAINER KIT            | 4991539                     | O-Ring - Injector S60                  |
| Same as A-23528939 Kit above |   | A-5234701                   | O-Ring - Injector, Internal            |
| A-23535699                   | WASHER - INJ HOLD DOWN - CLAMP            | A-5234224                   | Spacer - Seal Solenoid                 |
| A-23535700                   | EXTERNAL INJECTOR SEAL KIT                | MCB26209-25                 | KIT - INJECTOR INTERNAL SEAL S         |
| A-5234702                    | O-Ring - Injector External                | Same as MCB26209 Kit above  |  |
| A-23535699                   | Washer - Injector Hold Down Clamp         | MCB26210                    | EXTERNAL INJECTOR SEAL REPAIR KIT      |
| 4991720                      | O-Ring, Injector, S60 Blue                | A-5234699                   | O-Ring - Injector, External            |
| 4991721                      | O-Ring, Injector, S60 Purple              | A-5234702                   | O-Ring - Injector, External            |
| 4991722                      | Washer, Injector, S60, Gray               | A-5104701                   | Seal - O-Ring Injector Tube            |
| A-23535778                   | WASHER,INJ HOLD DOWN-CLAMP,S60            |                             |  |

Note: Indented Items are included in kit or set above



**INTERSTATE-McBEE**



**DETROIT EUI COMPONENTS, continued ...**

| Item                       | Description                    | Item       | Description                 |
|----------------------------|--------------------------------|------------|-----------------------------|
| MCB26210-25                | KIT - INJECTOR EXTERNAL SEAL S | MCBS60INJ  | EXTERNAL INJECTOR SEAL KIT  |
| Same as MCB26210 Kit above |                                | A-5234699  | O-Ring - Injector External  |
| MCB-DDEC-92K               | KIT O-RING                     | A-5234702  | O-Ring - Injector External  |
| A-5234281                  | Ring - Seal - Injector         | A-23511870 | Gasket - Lower Aux Inj Seal |
| A-5234224                  | Spacer - Seal Solenoid         | A-5104701  | Seal - O-Ring Injector Tube |
| M-131026                   | Seal O-Ring                    |            |                             |
| A-5234368                  | O-Ring Injector                |            |                             |
| A-3045986                  | Seal O-Ring                    |            |                             |

Note: Indented Items are included in kit or set above



## DETROIT DIESEL

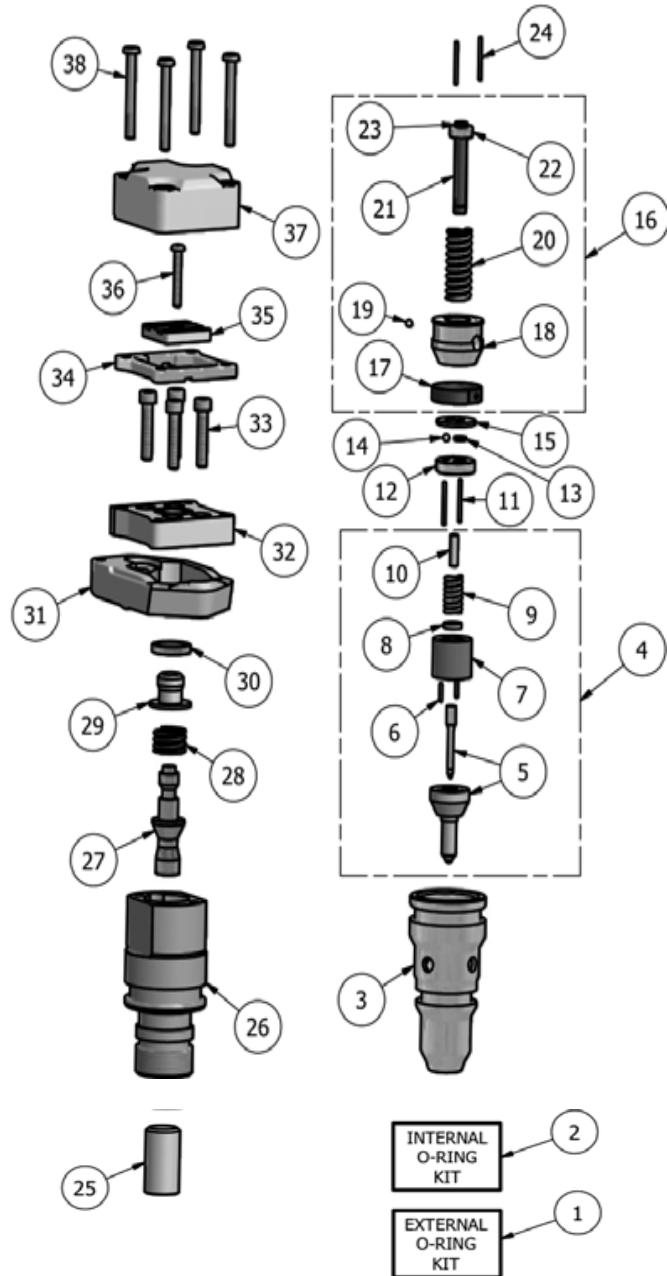
| Item Number | Description                       | Core Code    |
|-------------|-----------------------------------|--------------|
| R-5234785   | INJECTOR - REMAN S60 11.1 & 12.7L | C-S60DDEC1   |
| R-5234795   | INJECTOR - REMAN S60 12.7L        | C-S60DDEC2   |
| R-5234870   | INJECTOR - REMAN S60 11.1L        | C-S60DDEC2   |
| R-5234935   | INJECTOR - REMAN S60 11.1L & 12   | C-S60DDEC2   |
| R-5234940   | INJECTOR - REMAN S60 11.1L & 12   | C-S60DDEC2   |
| R-5234945   | INJECTOR - REMAN S60 12.7L        | C-S60DDEC2   |
| R-5234970   | INJECTOR - REMAN S60              | C-S60DDEC2   |
| R-5235550   | INJECTOR - REMAN S50/60 8.5L      | C-S60DDEC3/4 |
| R-5235575   | INJECTOR - REMAN S50/60 12.7L     | C-S60DDEC3/4 |
| R-5235580   | INJECTOR - REMAN S60 11.1L        | C-S60DDEC3/4 |
| R-5235600   | INJECTOR - REMAN S50/60 8.5L      | C-S60DDEC3/4 |
| R-5235605   | INJECTOR - REMAN S60              | C-S60DDEC3/4 |
| R-5235695   | INJECTOR - REMAN S60              | C-S60DDEC3/4 |
| R-5235915   | INJECTOR - REMAN S50/60           | C-S60DDEC3/4 |
| R-5236347   | INJECTOR - REMAN S50              | C-S60DDEC3/4 |
| R-5236977   | INJECTOR - REMAN S50/60           | C-S60DDEC3/4 |
| R-5236978   | INJECTOR - REMAN S50/60           | C-S60DDEC3/4 |
| R-5236980   | INJECTOR - REMAN S60              | C-S60DDEC3/4 |
| R-5236981   | INJECTOR - REMAN S50              | C-S60DDEC3/4 |
| R-5236995   | INJECTOR - REMAN S60              | C-S60DDEC3/4 |
| R-5237014   | INJECTOR - REMAN S60              | C-S60DDEC3/4 |
| R-5237042   | INJECTOR - REMAN S60              | C-S60DDEC3/4 |
| R-5237045   | INJECTOR - REMAN S60              | C-S60DDEC3/4 |
| R-5237099   | INJECTOR - REMAN S60              | C-S60DDEC3/4 |
| R-5237315   | INJECTOR - REMAN S60              | C-S60DDEC3/4 |
| R-5237466   | INJECTOR - REMAN S60              | C-S60DDEC3/4 |
| R-5237473   | INJECTOR - REMAN S60              | C-S60DDEC3/4 |
| R-5237635   | INJECTOR - REMAN S60              | C-S60DDEC3/4 |
| R-5237650   | INJECTOR - REMAN S60              | C-S60DDEC3/4 |
| R-5237787   | INJECTOR - REMAN S60              | C-S60DDEC3/4 |
| R-5237820   | INJECTOR - REMAN S60              | C-S60DDEC3/4 |
| R-5237821   | INJECTOR - REMAN S60              | C-S60DDEC3/4 |
| R-5237320   | INJECTOR - REMAN S60              | C-S60DDEC3/4 |





**NAVISTAR INJECTOR**

| Item | Part #         | Description            | Qty. Req'd. |
|------|----------------|------------------------|-------------|
| 1    | MCBS0008       | External O-Ring Kit    | 1           |
| 2    | See App. Chart | Internal O-Ring Kit    | 1           |
| 3    | 8991079        | Nut                    | 1           |
| 4    | See App. Chart | Nozzle Group           | 1           |
| 5    | See App. Chart | Nozzle Assembly        | 1           |
| 6    | 8991002        | Dowel Pin              | 2           |
| 7    | 8991029        | Spacer Sleeve          | 1           |
| 8    | 8991028        | Lift Spacer            | 1           |
| 9    | 8991029        | Nozzle Spring          | 1           |
| 9    | 8991106        | Nozzle Spring          | 1           |
| 10   | 8991026        | Stop Pin               | 1           |
| 11   | 8991001        | Dowel Pin              | 2           |
| 12   | 8991080        | Stop                   | 1           |
| 13   | 8991081        | Check Plate            | 1           |
| 14   | 8991082        | Check Ball             | 1           |
| 15   | 8991083        | Stop Plate             | 1           |
| 16   | See App. Chart | Plunger & Barrel Group | 1           |
| 17   | REF Item 16    | Retaining Spring       | 1           |
| 18   | REF Item 16    | Barrel                 | 1           |
| 19   | REF Item 16    | Check Ball             | 1           |
| 20   | REF Item 16    | Spring                 | 1           |
| 21   | REF Item 16    | Plunger                | 1           |
| 22   | REF Item 16    | Retaining Washer       | 1           |
| 23   | REF Item 16    | Retaining Ring         | 1           |
| 24   | 8991001        | Dowel                  | 2           |
| 25   | See App. Chart | Intensifier Piston     | 1           |
| 26   | 8991091        | Piston & Valve Body    | 1           |
| 27   | 8991092        | Poppet Valve           | 1           |
| 28   | 8991093        | Poppet Spring          | 1           |
| 29   | 8991094        | Sleeve                 | 1           |
| 30   | 8991095        | Poppet Shim            | 1           |
| 31   | 8991096        | Clamp                  | 1           |
| 32   | 8991097        | Adapter                | 1           |
| 33   | 8991099        | Assembly Screw         | 4           |
| 34   | 8991100        | Solenoid Spacer        | 1           |
| 35   | 8991101        | Armature               | 1           |
| 36   | 8991102        | Adjusting Screw        | 1           |
| 37   | 8991103        | Solenoid               | 1           |
| 38   | 8991003        | Solenoid Screw         | 4           |



Note: Indented Items are included in kit or set above





**INTERSTATE-McBEE**



**NAVISTAR INJECTOR COMPONENTS, continued ...**

APPLICATION CHART

| Item | Part #   | Description         | Qty. Req'd. |
|------|----------|---------------------|-------------|
| 2    | MCBS0007 | Internal O-Ring Kit | 1           |
|      | MCBS0530 | Internal O-Ring Kit | 1           |
| 4    | 8991135  | Nozzle Group        | 1           |
|      | 8991136  | Nozzle Group        | 1           |
|      | 8991137  | Nozzle Group        | 1           |
|      | 8991145  | Nozzle Group        | 1           |
|      | 8991146  | Nozzle Group        | 1           |
|      | 8991155  | Nozzle Group        | 1           |
|      | 8991156  | Nozzle Group        | 1           |
|      | 8991165  | Nozzle Group        | 1           |
|      | 8991166  | Nozzle Group        | 1           |
|      | 8991175  | Nozzle Group        | 1           |
| 5    | 8991035  | Nozzle Assembly     | 1           |
|      | 8991036  | Nozzle Assembly     | 1           |
|      | 8991037  | Nozzle Assembly     | 1           |
|      | 8991045  | Nozzle Assembly     | 1           |
|      | 8991046  | Nozzle Assembly     | 1           |
|      | 8991055  | Nozzle Assembly     | 1           |

| Item | Part #  | Description            | Qty. Req'd. |
|------|---------|------------------------|-------------|
| 5    | 8991056 | Nozzle Assembly        | 1           |
|      | 8991065 | Nozzle Assembly        | 1           |
|      | 8991066 | Nozzle Assembly        | 1           |
|      | 8991075 | Nozzle Assembly        | 1           |
| 16   | 8996000 | Plunger & Barrel Group | 1           |
|      | 8996001 | Plunger & Barrel Group | 1           |
|      | 8996060 | Plunger & Barrel Group | 1           |
|      | 8996061 | Plunger & Barrel Group | 1           |
|      | 8997100 | Plunger & Barrel Group | 1           |
|      | 8997160 | Plunger & Barrel Group | 1           |
| 25   | 8991110 | Intensifier Piston     | 1           |
|      | 8991111 | Intensifier Piston     | 1           |
|      | 8991112 | Intensifier Piston     | 1           |
|      | 8991113 | Intensifier Piston     | 1           |
|      | 8991114 | Intensifier Piston     | 1           |
|      | 8991115 | Intensifier Piston     | 1           |
|      | 8991117 | Intensifier Piston     | 1           |
|      | 8991118 | Intensifier Piston     | 1           |

**NAVISTAR INJECTOR COMPONENTS, continued ...**

| Part #            | Description                            |
|-------------------|--|
| M-1830742C92      | Seal Kit, External, Injector, Navistar |
| M-F5TZ-9229-B1    | Ring, Back-Up                          |
| M-F5TZ-9229-B2    | Ring, Cushion                          |
| M-F5TZ-9229-B3    | O-Ring                                 |
| M-F5TZ-9229-B6    | Seal, Lower Injector                   |
| M-F5TZ-9229-B8    | Seal Ring                              |
| M-1830742C92-1    | Seal                                   |
| MCB0006           | Kit, Chamber Gasket                    |
| M-2421539         | O-Ring Kit, Single Fuel Injector, 3126 |
| M-1093207         | Seal O-Ring                            |
| M-1333715         | Seal O-Ring Fuel Inj                   |
| M-1482903         | Seal O-Ring                            |
| M-1459240         | Seal O-Ring Fuel Inj                   |
| M-1504105         | Seal O-Ring Fuel Inj                   |
| M-2373800         | Seal O-Ring                            |
| MCB06063-31       | P&B Group, 3126, 3126B                 |
| MCB07161-31       | P&B Group, 3126, 3126B                 |
| MCB41006-32 & -31 | Nozzle Group, 3126, 3126B              |
| MCB41016-31       | Nozzle Group, 3126, 3126B              |
| MCB41016-32       | Nozzle Group, 3126, 3126B              |
| M-4C3Z-9C977-AA   | Repair Kit, IPR                        |
| M-4C3Z-9C977-AA-1 | Small O-Ring                           |
| M-4C3Z-9C977-AA-2 | Large O-Ring                           |
| M-4C3Z-9C977-AA-3 | Back Up Ring                           |
| M-4C3Z-9C977-AA-4 | Nut                                    |
| M-1817687         | Water Pump, DT466E (New Generation)    |
| M-3286277         | Water Pump, 5.9L,4-6B                  |
| M-3286278         | Water Pump, 5.9L,4-6B                  |
| M-3935878         | Valve Cover Gasket                     |
| M-3936316         | Fuel Transfer Pump, B, 6C              |

| Part #                            | Description |
|-----------------------------------|-------------|
| <b>Nozzle Group</b>               |             |
| <b>Additional Cross Reference</b> |             |
| 8991135                           | DPE41005/31 |
| 8991136                           | DPE41006/31 |
| 8991137                           | DPE41007/31 |
| 8991145                           | DPE41015/31 |
| 8991146                           | DPE41016/31 |
| 8991155                           | DPE41025/31 |
| 8991156                           | DPE41026/31 |
| 8991165                           | DPE41035/31 |
| 8991166                           | DPE41036/31 |
| 8991175                           | DPE41045/31 |
| <b>P&amp;B Group</b>              |             |
| <b>Additional Cross Reference</b> |             |
| 8996000                           | DPE06000/31 |
| 8996001                           | DPE06001/31 |
| 8996060                           | DPE06060/31 |
| 8996061                           | DPE06061/31 |
| 8997100                           | DPE07100/31 |
| 8997160                           | DPE07160/31 |
| <b>Intensifier Piston</b>         |             |
| <b>Additional Cross Reference</b> |             |
| 8991110                           | DPS13053/31 |
| 8991111                           | DPS13056/31 |
| 8991112                           | DPS13057/31 |
| 8991113                           | DPS13055/31 |
| 8991114                           | DPS13050/31 |
| 8991115                           | DPS13052/31 |
| 8991117                           | DPS13051/31 |
| 8991118                           | DPS13054/31 |

Note: Indented Items are included in kit or set above



### NAVISTAR COMPONENTS, continued ...

| Item           | Description                           |
|----------------|---------------------------------------|
| 8991027        | SPRING - INJECTOR                     |
| M-1830742C92-1 | SEAL                                  |
| M-1841217C91   | VALVE,INJECTION PRESSURE              |
| M-2421539      | O-RING KIT, SINGLE FUEL INJECTOR 3126 |
| M-1093207      | Seal O-Ring                           |
| M-1333715      | Seal O-Ring Fuel Inj                  |
| M-1482903      | Seal O-Ring                           |
| M-1495240      | Seal O-Ring Fuel Inj                  |
| M-1504105      | Seal O-Ring Fuel Inj                  |
| M-2373800      | Seal O-Ring                           |
| MCBS0007       | HEUI INTERNAL O-RING KIT              |
| MCBS0007-1     | Ring - Seal Piston                    |
| MCBS0530-1     | Seal Ring                             |
| MCBS0530-3     | Seal Ring, Small                      |
| MCBS0007-1     | RING - SEAL                           |
| MCBS0008       | FORD HEUI EXTERNAL SEAL KIT           |
| M-F5TZ-9229-B1 | Ring, Back-up                         |
| M-F5TZ-9229-B2 | Ring, Cushion                         |

| Item           | Description                     |
|----------------|---------------------------------|
| M-F5TZ-9229-B3 | O-Ring                          |
| M-F5TZ-9229-B6 | Seal, Lower Injector            |
| M-F5TZ-9229-B7 | Seal, Injector, Copper          |
| MCBS0025       | KIT,EXTERNAL O-RING,HEUI        |
| M-1333715      | Seal O-Ring Fuel Inj            |
| M-1504105      | Seal O-Ring Fuel Inj            |
| M-2153198      | Seal O-Ring                     |
| M-2373800      | Seal O-Ring                     |
| M-1093207      | Seal O-Ring                     |
| M-1495240      | Seal O-Ring Fuel Inj            |
| MCBS0530       | HEUI INJECTOR INTERNAL SEAL KIT |
| MCBS0530-1     | Seal Ring, Blue                 |
| MCBS0530-2     | Seal Ring, Green, Piston Seal   |
| MCBS0530-3     | Seal Ring, Small, Blue          |
| MCBS0530-4     | Seal Ring                       |
| MCBS0530-1     | SEAL RING                       |
| MCBS0530-3     | SEAL RING,SMALL,BLUE (CONTOL    |
| M-F5TZ-9229-B7 | SEAL,INJECTOR, COPPER           |

### NAVISTAR

| Item Number     | Description                 | Core Code |
|-----------------|-----------------------------|-----------|
| R-2593588C91-BA | INJECTOR - REMAN 466E       | C-466E-BA |
| R-2593589C91-BB | INJECTOR - REMAN 466E       | C-466E-BB |
| R-2593590C91-BC | INJECTOR - REMAN 466E       | C-466E-BC |
| R-2593591C91-BD | INJECTOR - REMAN I530       | C-466E-BD |
| R-2593592C91-BE | INJECTOR - REMAN 466E       | C-466E-BE |
| R-2593593C91-BF | INJECTOR - REMAN I530       | C-466E-BF |
| R-2593595C91-BI | INJECTOR - REMAN 466E       | C-466E-BI |
| R-2593596C91-BG | INJECTOR - REMAN 466E       | C-466E-BG |
| R-2593596C91-BJ | INJECTOR - REMAN 466E, I530 | C-466E-BJ |
| R-2593597C91-BN | INJECTOR - REMAN DT530      | C-466E-BN |



### COMMON RAIL COMPONENTS

| ITEM      | DESCRIPTION   |
|-----------|---------------|
| M-1208775 | CP-3 PUMP KIT |
| M-1208869 | BALL          |
| M-1209126 | SPRING        |
| M-1209200 | SEAL          |

| ITEM           | DESCRIPTION       |
|----------------|-------------------|
| M-1209428      | KIT               |
| M-1209488      | KIT               |
| M-DSLA143P5499 | NOZZLE - 503 INJ. |

Note: Indented Items are included in kit or set above





## ALSO AVAILABLE Engine Components For:

### ■ Detroit Diesel®

- 2 Cycle
- Series 60

### ■ Cummins®

- 855
- N14
- ISX
- K
- Diesel & Gas

### ■ Caterpillar®

- 3300
- 3400
- 3500
- Diesel & Gas

### ■ Navistar®

- DT360
- DT466
- DT530
- DT570



**INTERSTATE-McBEE**



© Detroit Diesel is a registered trademarks of Detroit Diesel Corporation.

© Cummins is a registered trademark of Cummins, Inc.

© Caterpillar is a registered trademark of Caterpillar, Inc.

© Navistar is a registered trademark of Navistar, Inc.

All manufacturer's names, numbers, symbols and descriptions are used for reference purposes only and does not imply that any part listed is the product of these manufacturers.