

CURB SIDE EXTERIOR ELEVATION



2600 American Drive
P.O. Box 2017
Appleton, WI 54912



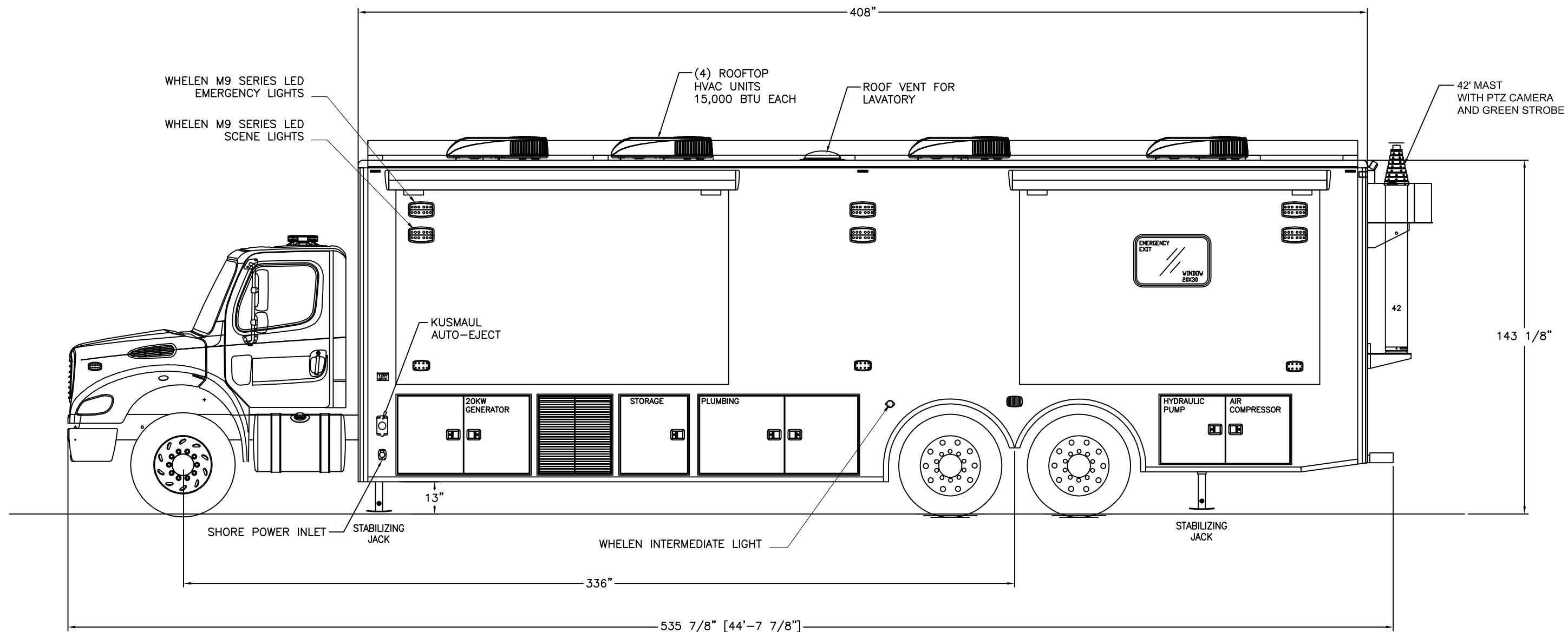
12770 44th Street North
Clearwater, FL 33762

PRELIMINARY USE ONLY
THIS DRAWING IS FOR REPRESENTATION ONLY. DETAILED ENGINEERING DRAWINGS WILL BE CREATED FOR MANUFACTURING. CHANGES MAY BE REQUIRED TO ACCOMMODATE MANUFACTURING REQUIREMENTS AND CUSTOMER SPECIFICATIONS.

**Chicago Fire Dept
Mobile Command Vehicle
C-45X-2 - M2-112**

THIS DRAWING IS THE PROPERTY OF FRONTLINE COMMUNICATIONS. IT IS CONFIDENTIAL AND ALL RIGHTS ARE RESERVED. IT SHALL NOT BE REPRODUCED, COPIED, LENT, OR USED FOR ANY PURPOSE OTHER THAN THAT FOR WHICH IT IS SPECIFICALLY FURNISHED.

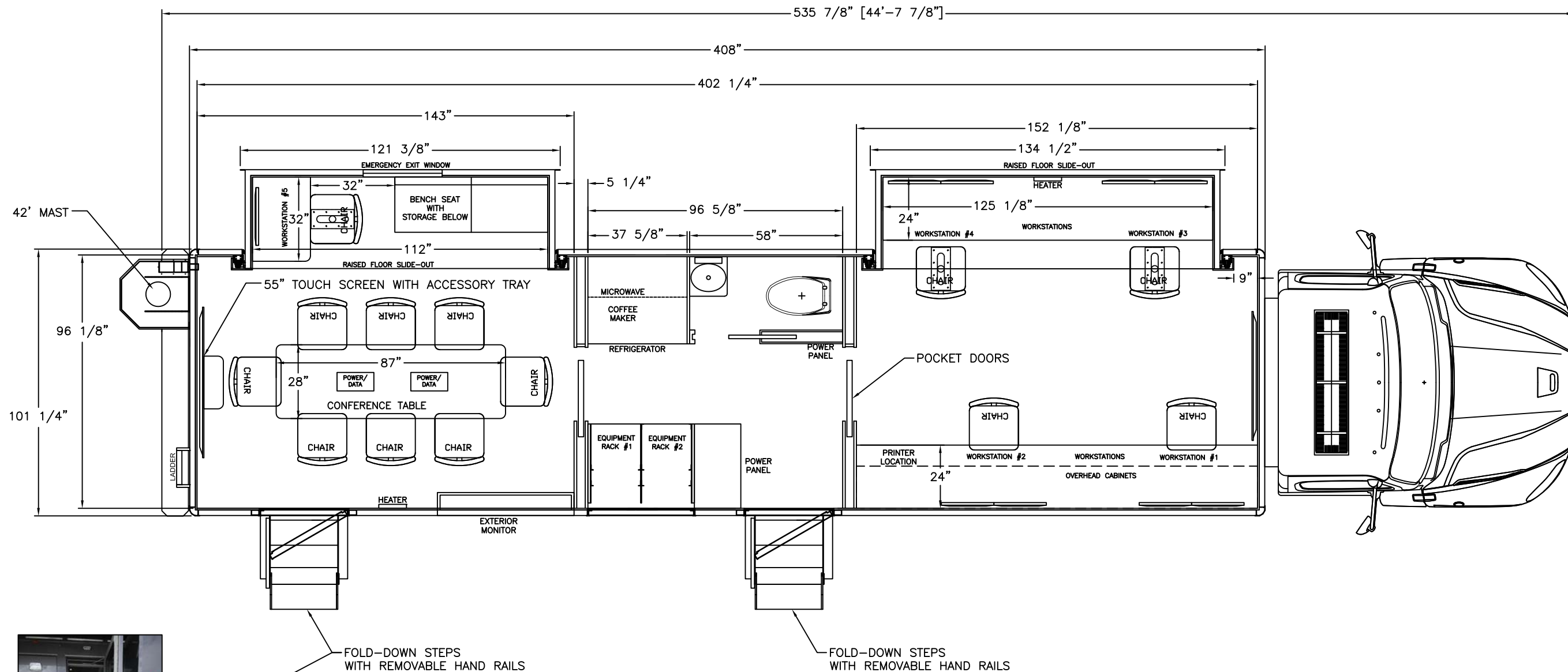
DRAWN	J.Chriss	DATE	1-14-19	SIZE	DWG NO.	REV
SHEET	1 OF 5	NOT TO SCALE	B	050463	-	



STREET SIDE EXTERIOR ELEVATION

	2600 American Drive P.O. Box 2017 Appleton, WI 54912			12770 44th Street North Clearwater, FL 33762	
	PRELIMINARY USE ONLY THIS DRAWING IS FOR REPRESENTATION ONLY. DETAILED ENGINEERING DRAWINGS WILL BE CREATED FOR MANUFACTURING. CHANGES MAY BE REQUIRED TO ACCOMMODATE MANUFACTURING REQUIREMENTS AND CUSTOMER SPECIFICATIONS.				
DRAWN J.Chriss	DATE 1-14-19	SIZE B	DWG NO. 050463	REV -	
SHEET 2 OF 5	NOT TO SCALE				

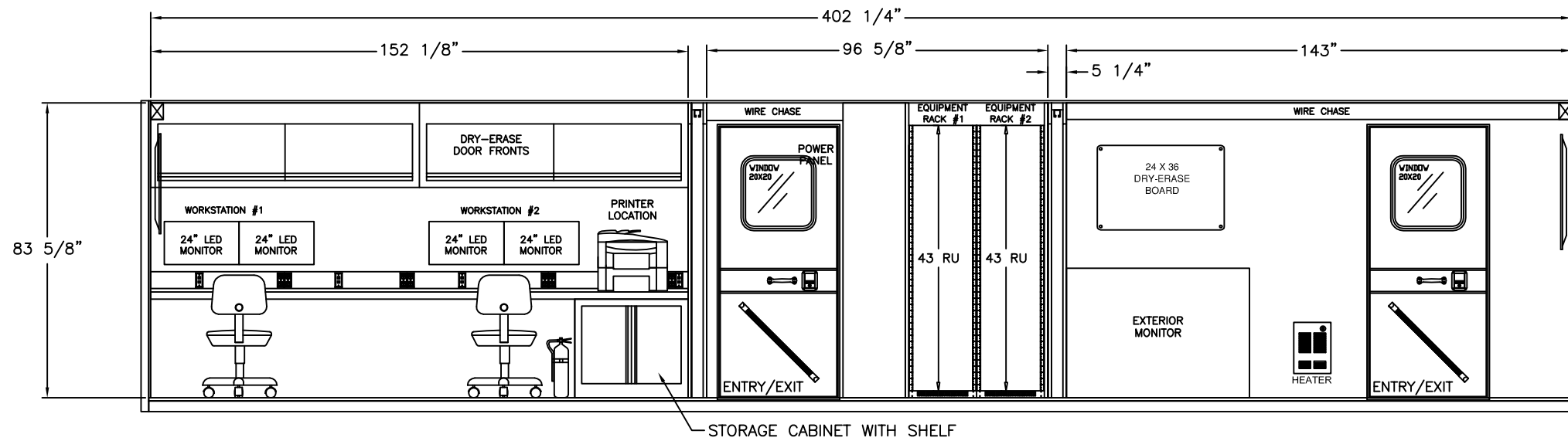
THIS DRAWING IS THE PROPERTY OF FRONTLINE COMMUNICATIONS. IT IS CONFIDENTIAL AND ALL RIGHTS ARE RESERVED. IT SHALL NOT BE REPRODUCED, COPIED, LENT, OR USED FOR ANY PURPOSE OTHER THAN THAT FOR WHICH IT IS SPECIFICALLY FURNISHED.



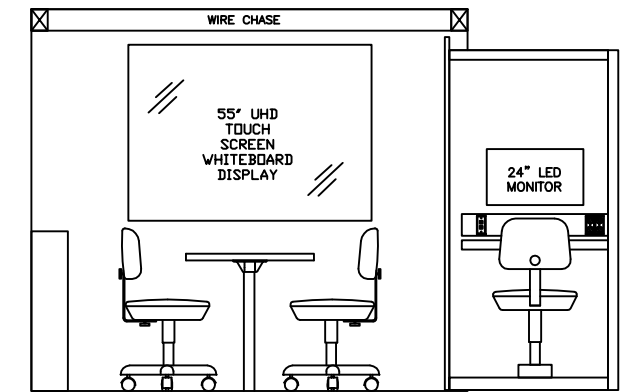
FLOOR PLAN

	2600 American Drive P.O. Box 2017 Appleton, WI 54912			12770 44th Street North Clearwater, FL 33762	
	<p align="center">PRELIMINARY USE ONLY</p> <p align="center">THIS DRAWING IS FOR REPRESENTATION ONLY. DETAILED ENGINEERING DRAWINGS WILL BE CREATED FOR MANUFACTURING. CHANGES MAY BE REQUIRED TO ACCOMMODATE MANUFACTURING REQUIREMENTS AND CUSTOMER SPECIFICATIONS.</p>				
DRAWN J.Chriss	DATE 1-14-19	SIZE B	DWG NO. 050463	REV -	
SHEET 3 OF 5	NOT TO SCALE				

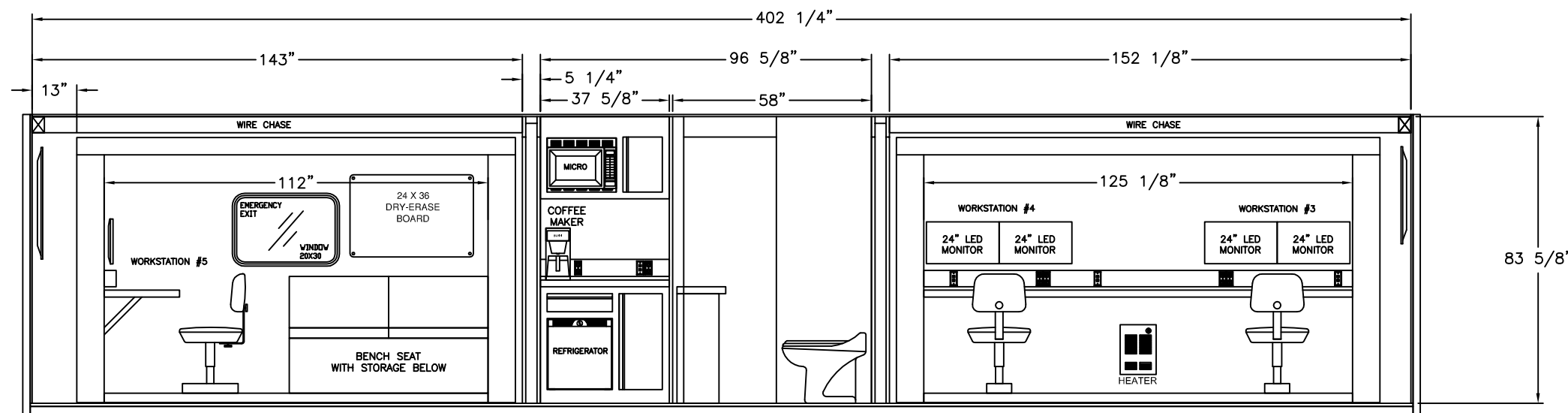
THIS DRAWING IS THE PROPERTY OF FRONTLINE COMMUNICATIONS. IT IS CONFIDENTIAL AND ALL RIGHTS ARE RESERVED. IT SHALL NOT BE REPRODUCED, COPIED, LENT, OR USED FOR ANY PURPOSE OTHER THAN THAT FOR WHICH IT IS SPECIFICALLY FURNISHED.



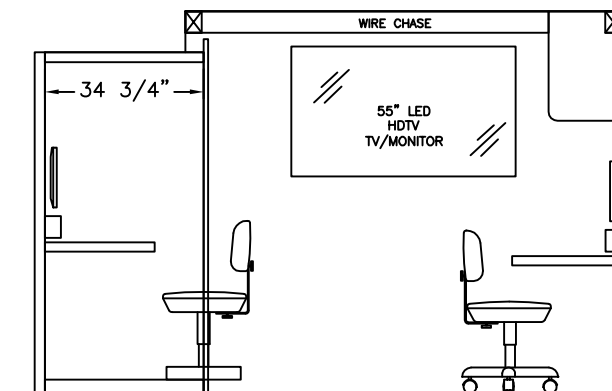
CURB SIDE INTERIOR ELEVATION



REAR WALL



STREET SIDE INTERIOR ELEVATION



FRONT WALL



2600 American Drive
P.O. Box 2017
Appleton, WI 54912



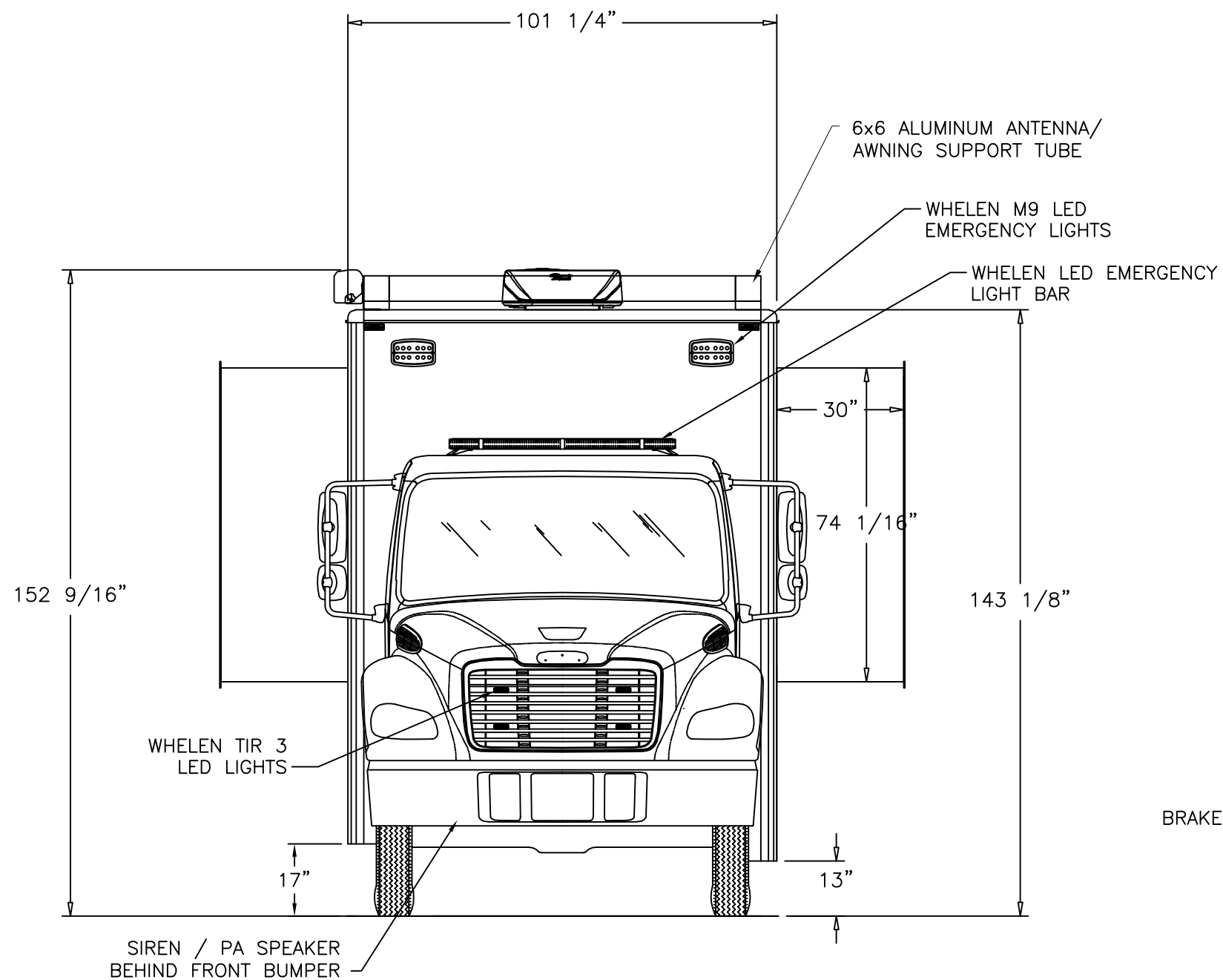
12770 44th Street North
Clearwater, FL 33762

PRELIMINARY USE ONLY
THIS DRAWING IS FOR REPRESENTATION ONLY. DETAILED ENGINEERING DRAWINGS WILL BE CREATED FOR MANUFACTURING. CHANGES MAY BE REQUIRED TO ACCOMMODATE MANUFACTURING REQUIREMENTS AND CUSTOMER SPECIFICATIONS.

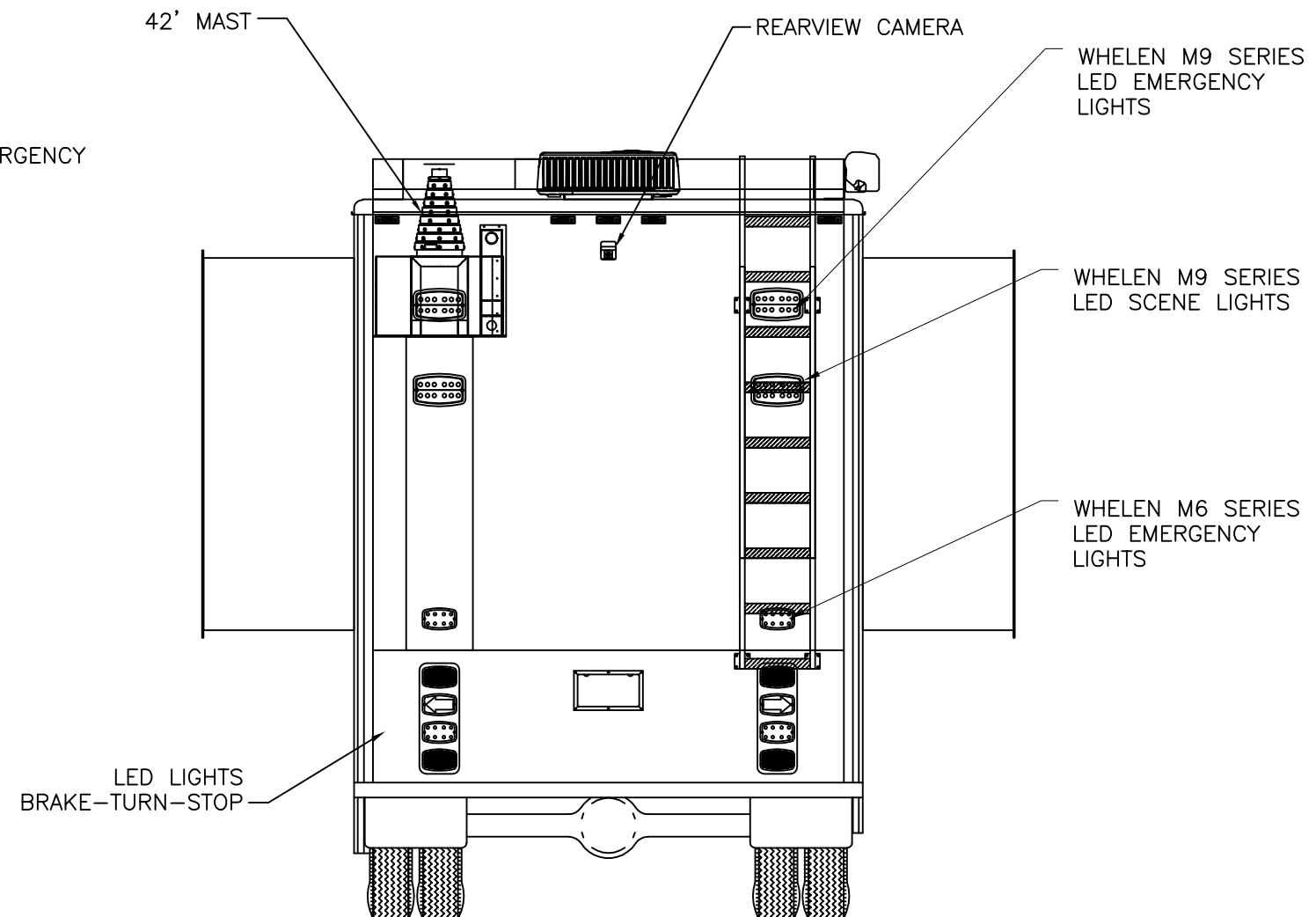
**Chicago Fire Dept
Mobile Command Vehicle
C-45X-2 - M2-112**

THIS DRAWING IS THE PROPERTY OF FRONTLINE COMMUNICATIONS. IT IS CONFIDENTIAL AND ALL RIGHTS ARE RESERVED. IT SHALL NOT BE REPRODUCED, COPIED, LENT, OR USED FOR ANY PURPOSE OTHER THAN THAT FOR WHICH IT IS SPECIFICALLY FURNISHED.

DRAWN	J.Chriss	DATE	1-14-19	SIZE	DWG NO.	REV
SHEET	4 OF 5	NOT TO SCALE	B	050463	-	



FRONT EXTERIOR



REAR ELEVATION



2600 American Drive
P.O. Box 2017
Appleton, WI 54912



12770 44th Street North
Clearwater, FL 33762

An Oshkosh Corporation Company

PRELIMINARY USE ONLY
THIS DRAWING IS FOR REPRESENTATION ONLY.
DETAILED ENGINEERING DRAWINGS WILL BE
CREATED FOR MANUFACTURING. CHANGES MAY BE
REQUIRED TO ACCOMMODATE MANUFACTURING
REQUIREMENTS AND CUSTOMER SPECIFICATIONS.

**Chicago Fire Dept
Mobile Command Vehicle
C-45X-2 - M2-112**

THIS DRAWING IS THE PROPERTY OF FRONTLINE COMMUNICATIONS. IT IS CONFIDENTIAL AND ALL RIGHTS ARE RESERVED. IT SHALL NOT BE REPRODUCED, COPIED, LENT, OR USED FOR ANY PURPOSE OTHER THAN THAT FOR WHICH IT IS SPECIFICALLY FURNISHED.

DRAWN	J.Chriss	DATE	1-14-19	SIZE	DWG NO.	REV
SHEET	5 OF 5	NOT TO SCALE		B	050463	-