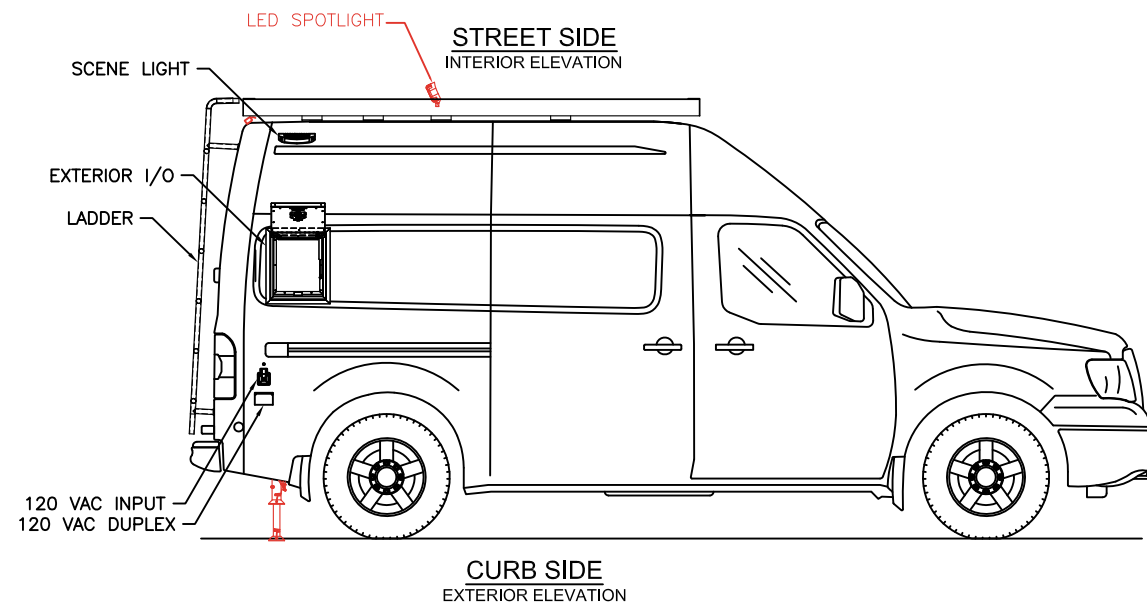
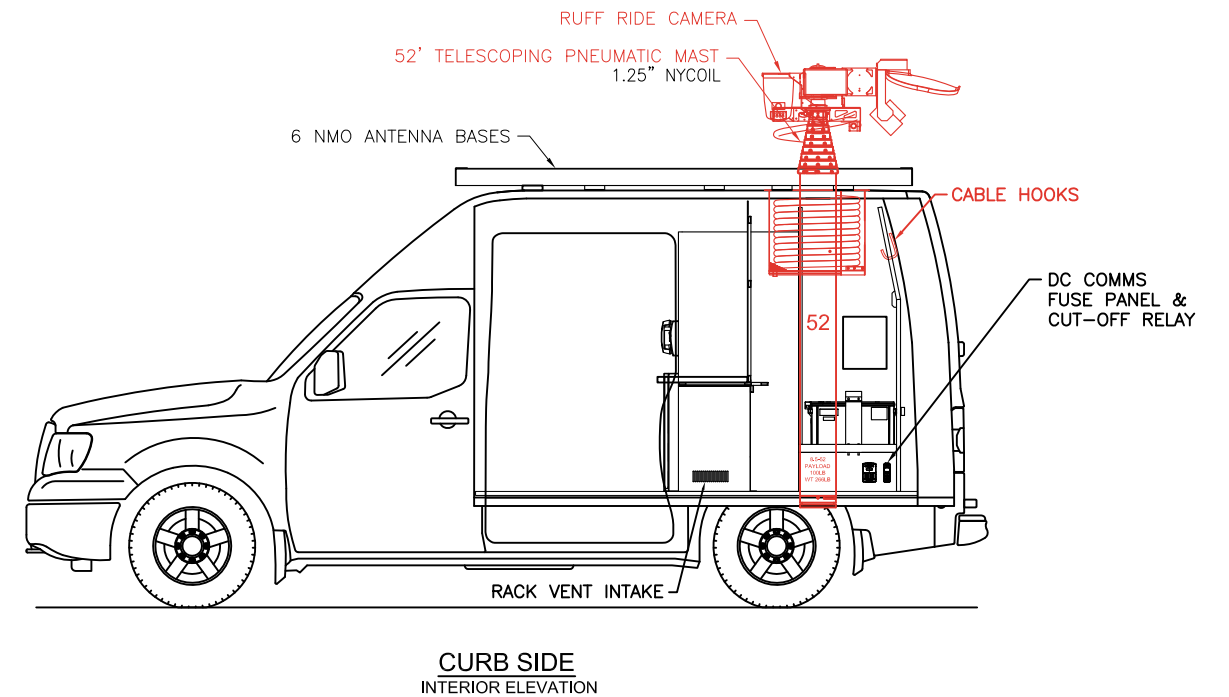
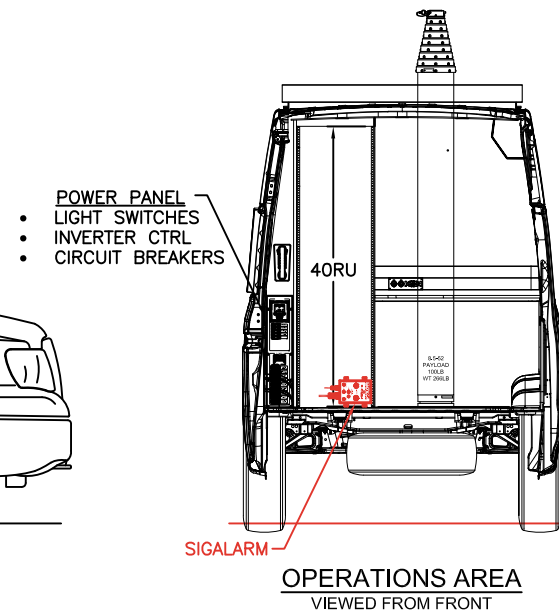
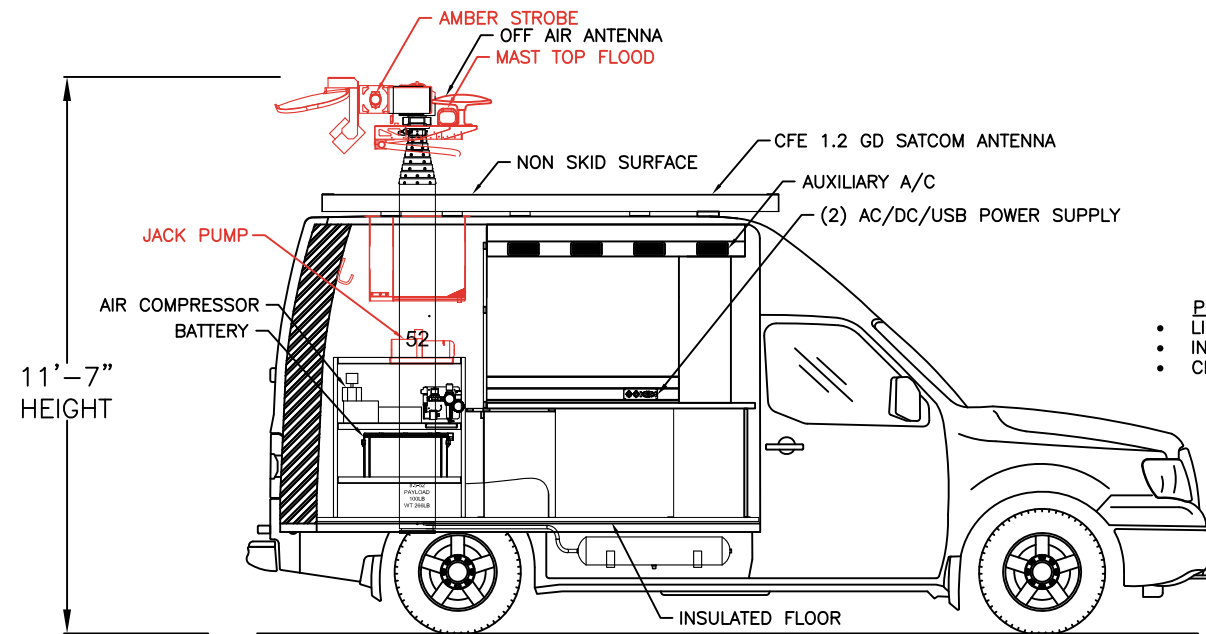
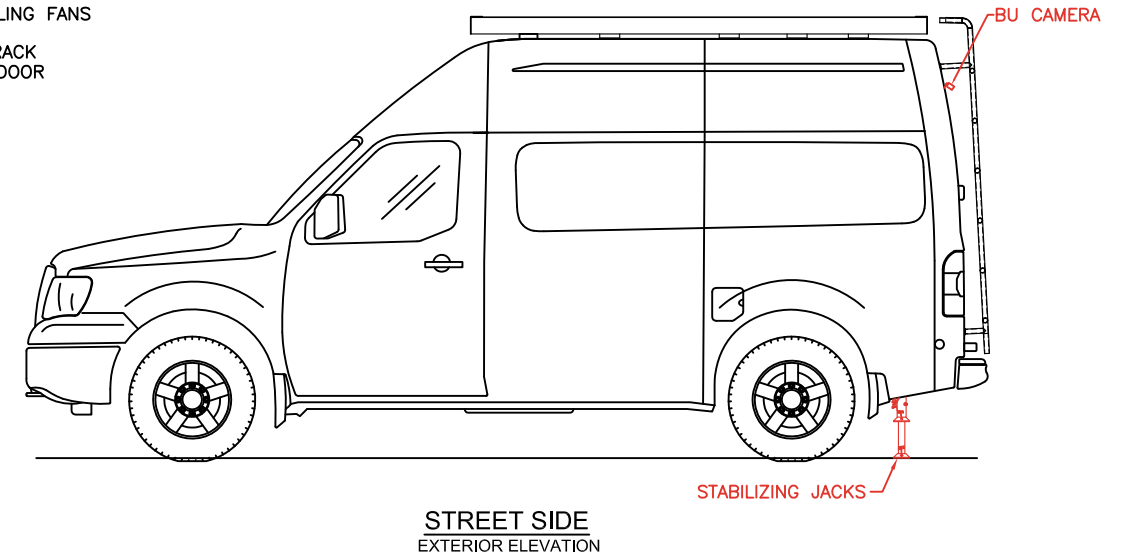
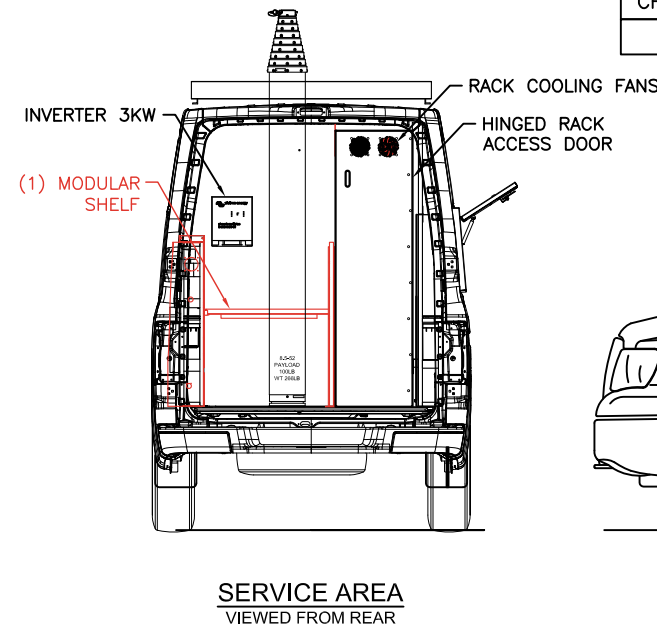
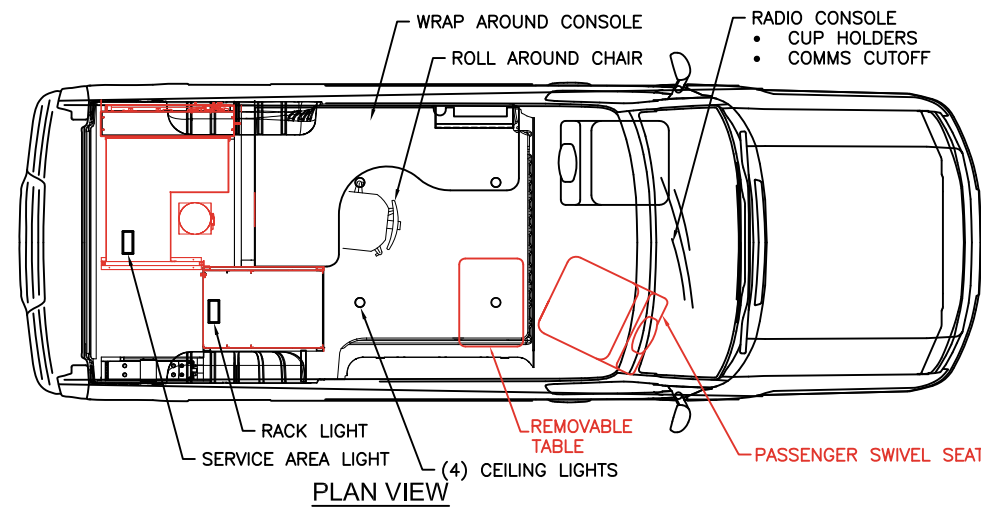


REVISIONS

CHK DATE	CHK BY	DESCRIPTION	DATE	BY	REV
					00



PLEASE SEE SYSTEMS DRAWING FOR RACK/OPS AREA LAYOUT

<p>PRELIMINARY USE ONLY THIS DRAWING IS FOR REPRESENTATION ONLY. DETAILED ENGINEERING DRAWINGS WILL BE CREATED FOR MANUFACTURING. CHANGES MAY BE REQUIRED TO ACCOMMODATE MANUFACTURING REQUIREMENTS AND CUSTOMER SPECIFICATIONS.</p>	<p>DO NOT SCALE THIS DRAWING DIMENSIONS ARE IN INCHES UNLESS OTHERWISE SPECIFIED</p>	<p>MATERIAL N/A</p>	<p><b>FRONTLINE COMMUNICATIONS</b> An Oshkosh Corporation Company 12770 44th Street North Clearwater, FL 33762-4713 (727) 573-0400 FAX (727) 571-3295</p>
	<p>TOLERANCES: ANGULAR: ± 1° BEND: ± 1° 2 PLACE DECIMAL ± .010 3 PLACE DECIMAL ± .005 FRACTIONS ± 1/16</p>	<p>FINISH N/A</p>	
<p>THIS DRAWING IS THE PROPERTY OF FRONTLINE COMMUNICATIONS CORPORATION. IT IS CONFIDENTIAL AND ALL RIGHTS ARE RESERVED. IT SHALL NOT BE REPRODUCED, COPIED, LENT, NOR USED FOR ANY PURPOSE OTHER THAN THAT FOR WHICH IT IS SPECIFICALLY FURNISHED.</p>	<p>JOB NUMBER OR PRODUCT LINE 71881</p>	<p>DRAWN BY jrp</p>	<p>DATE 05.24.19</p>
	<p>SHEET 1 OF 1</p>	<p>SCALE 1:48</p>	<p>CHECKED BY N/A</p>
		<p>SIZE B</p>	<p>DWG NO. 050725</p>