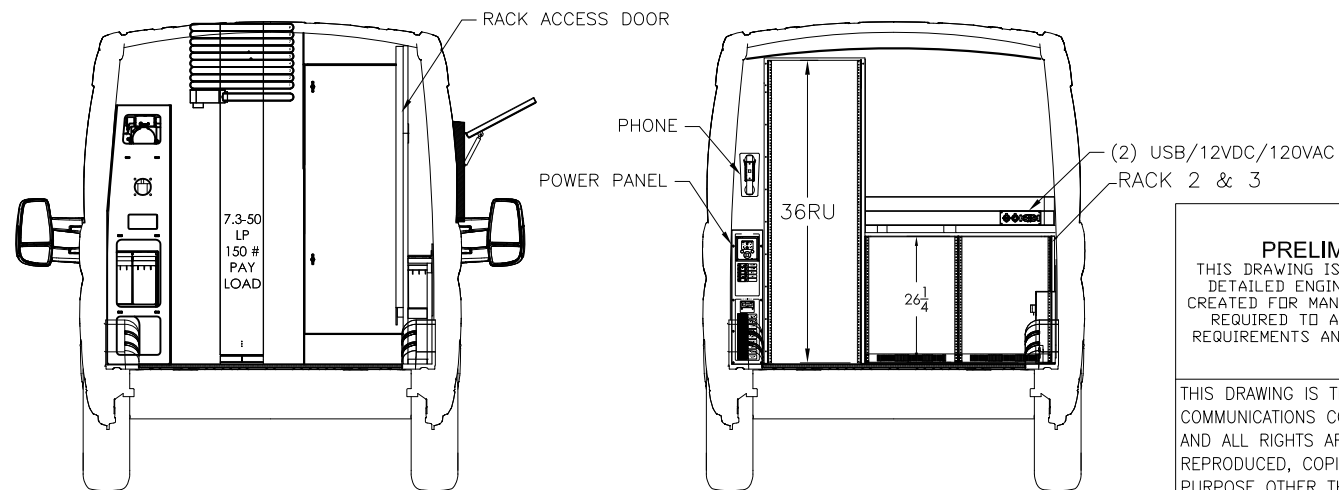
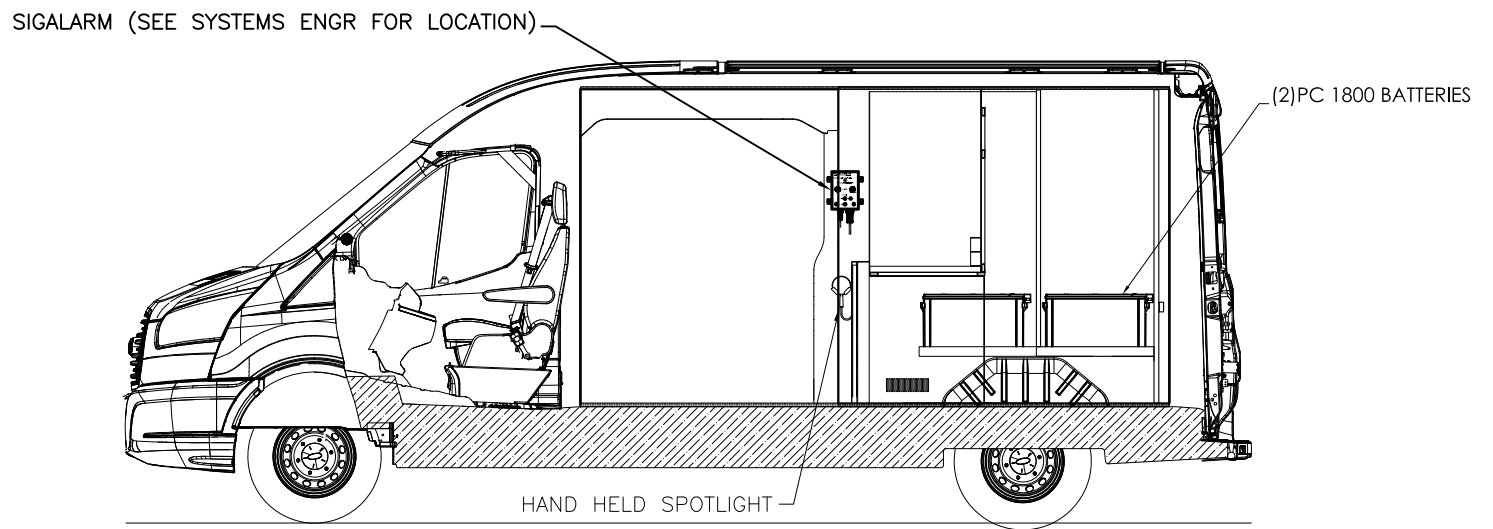
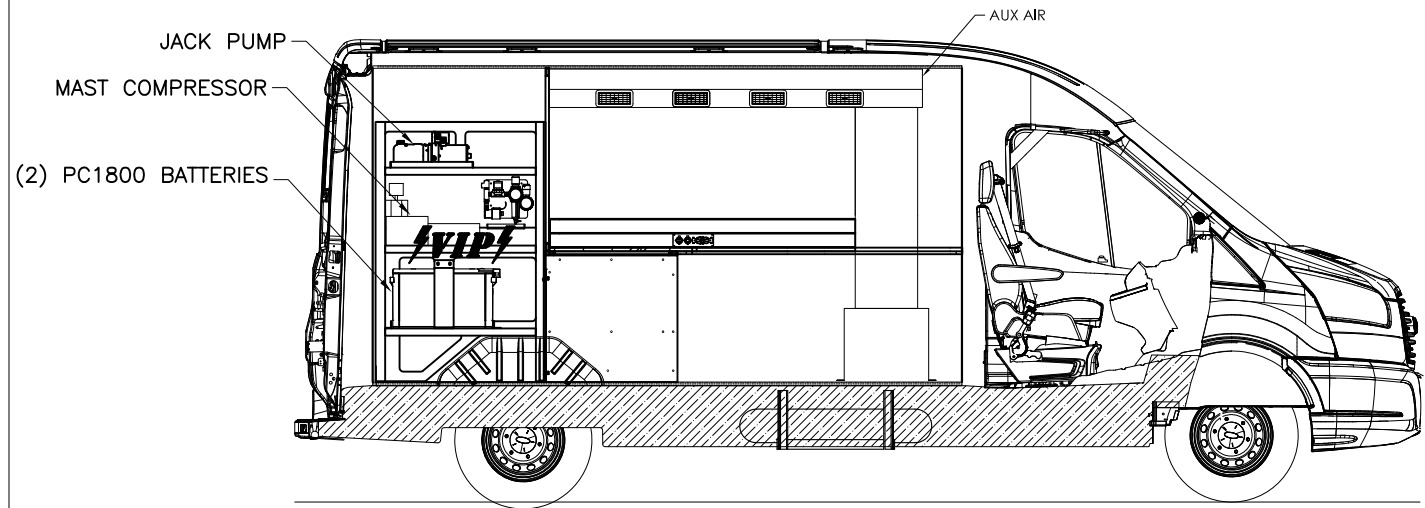
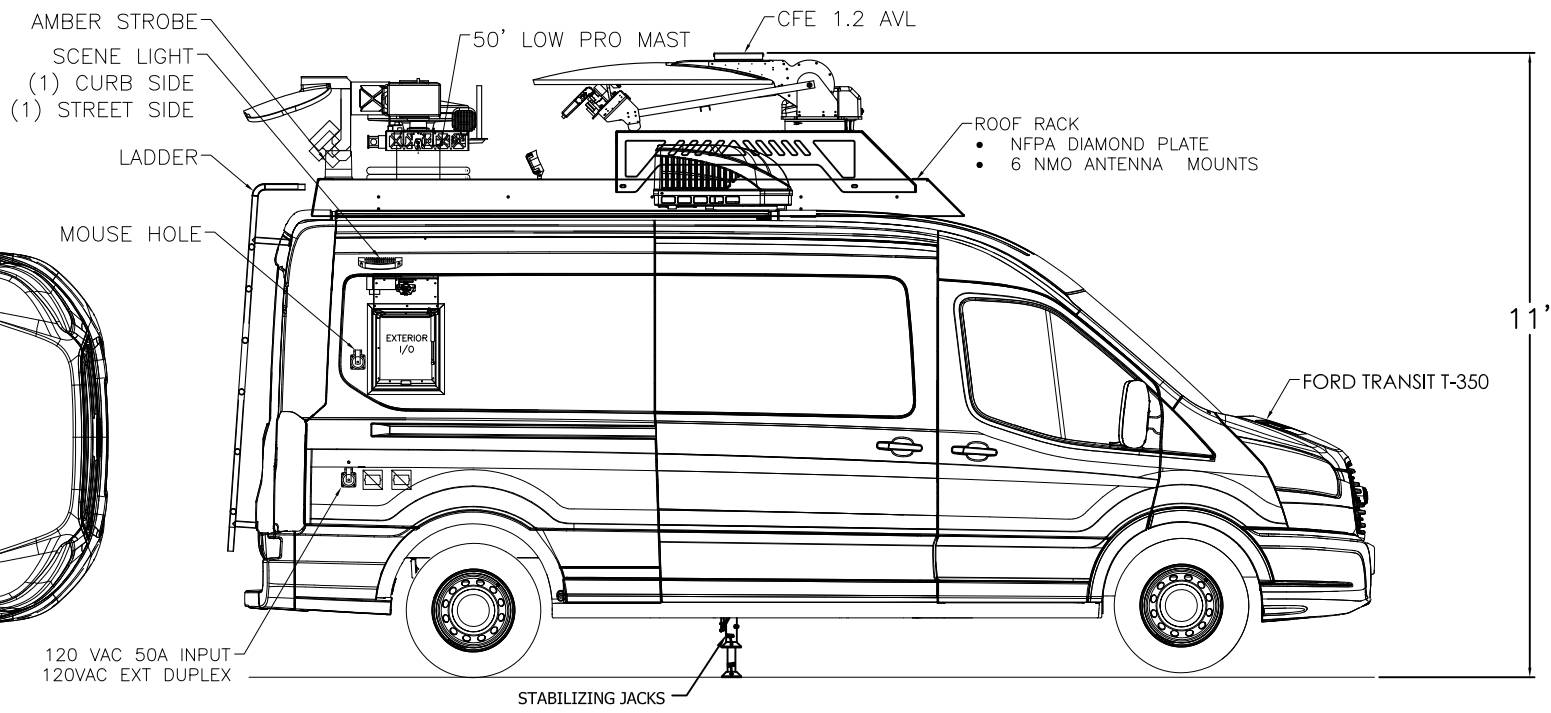
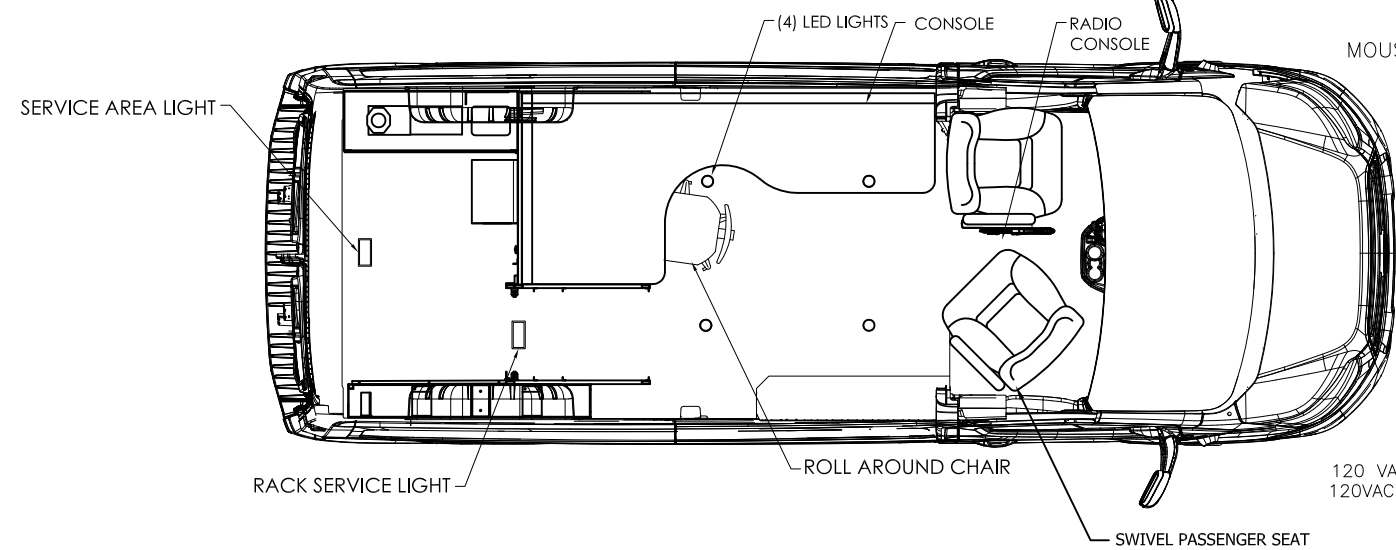
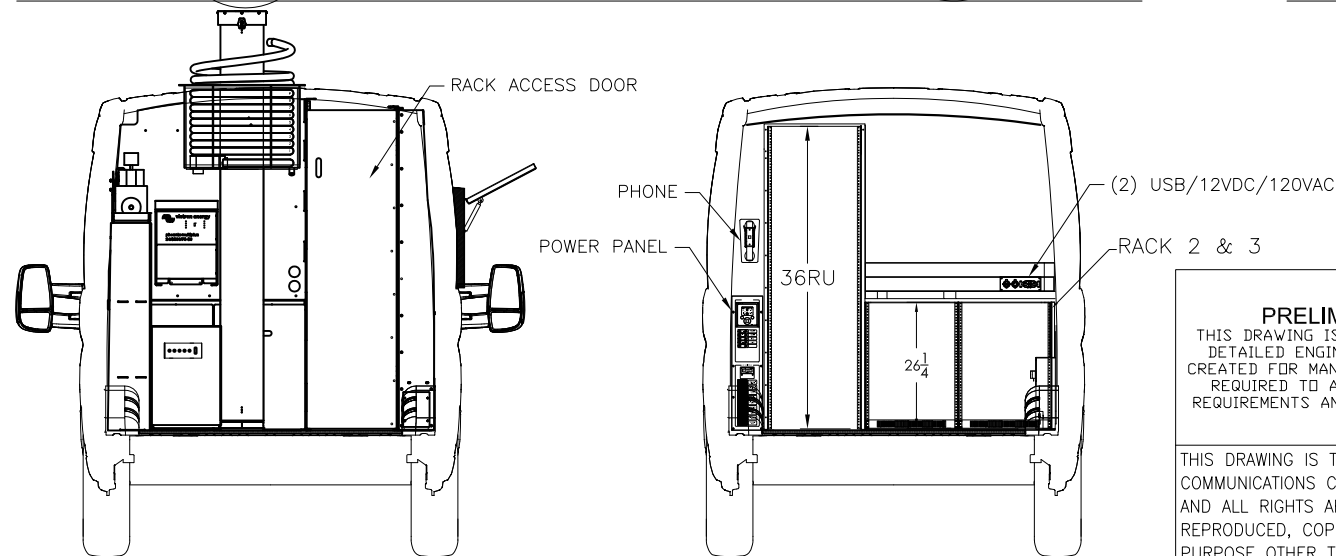
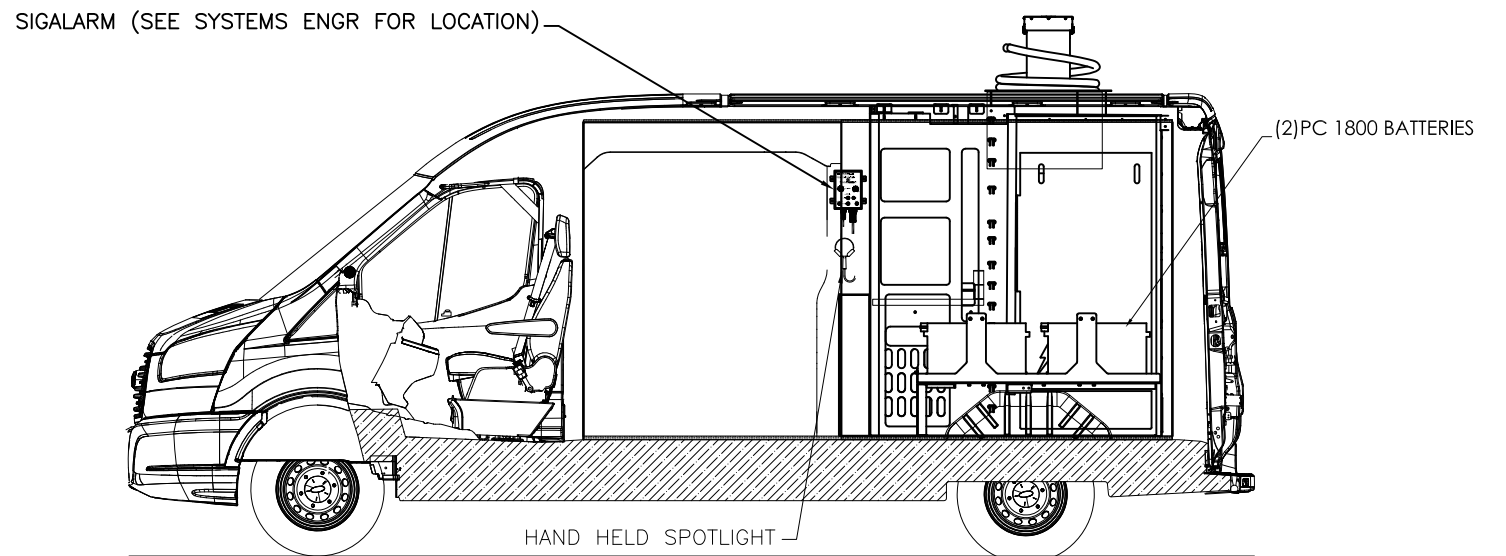
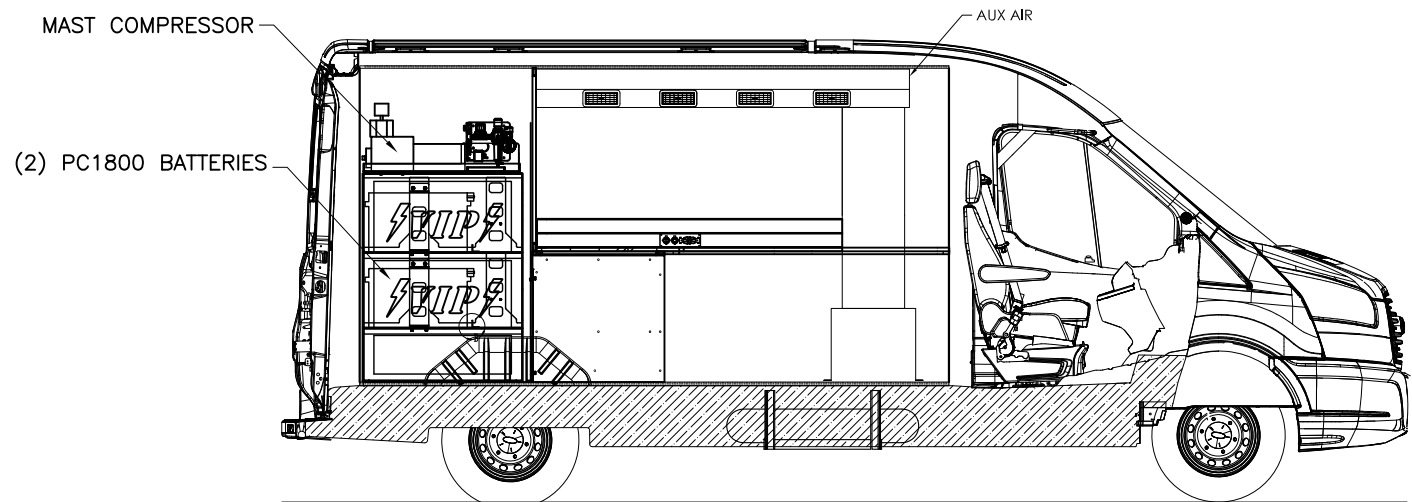
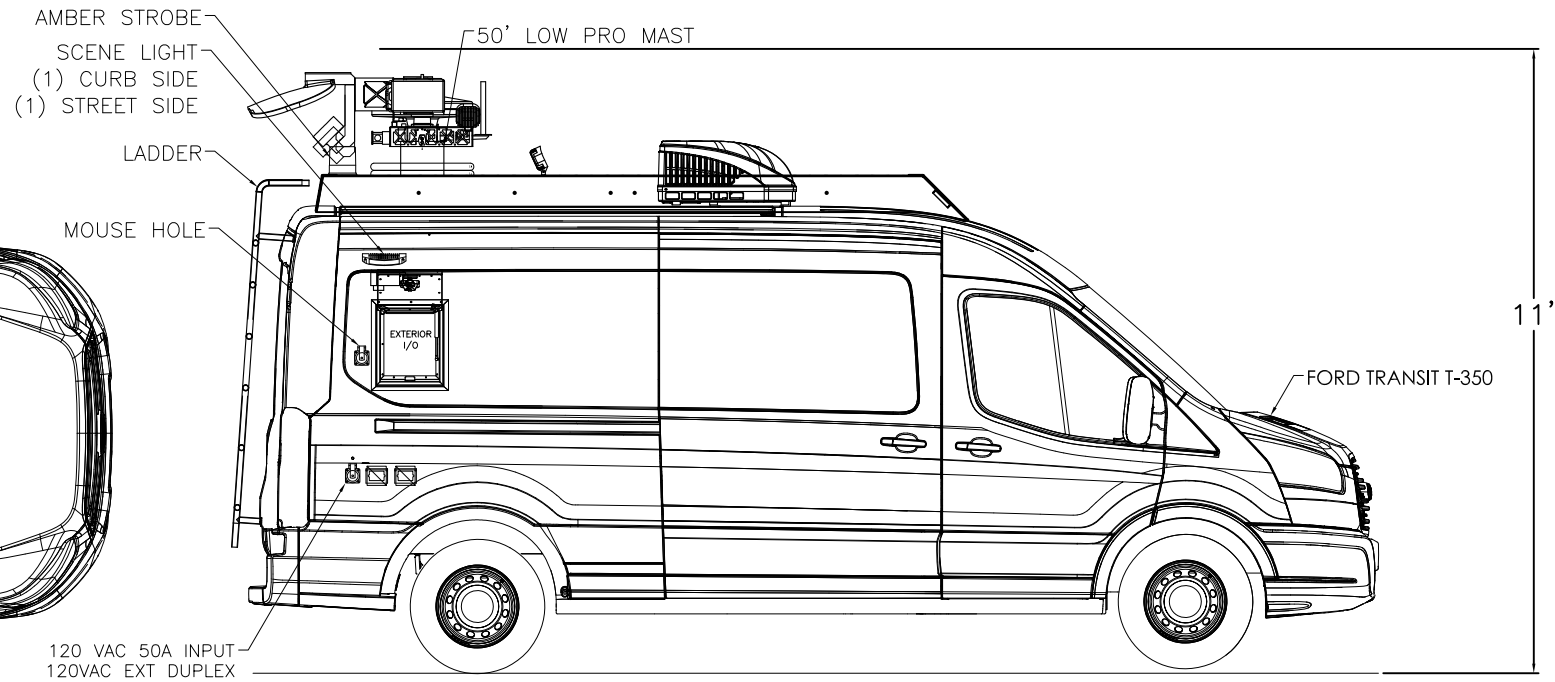
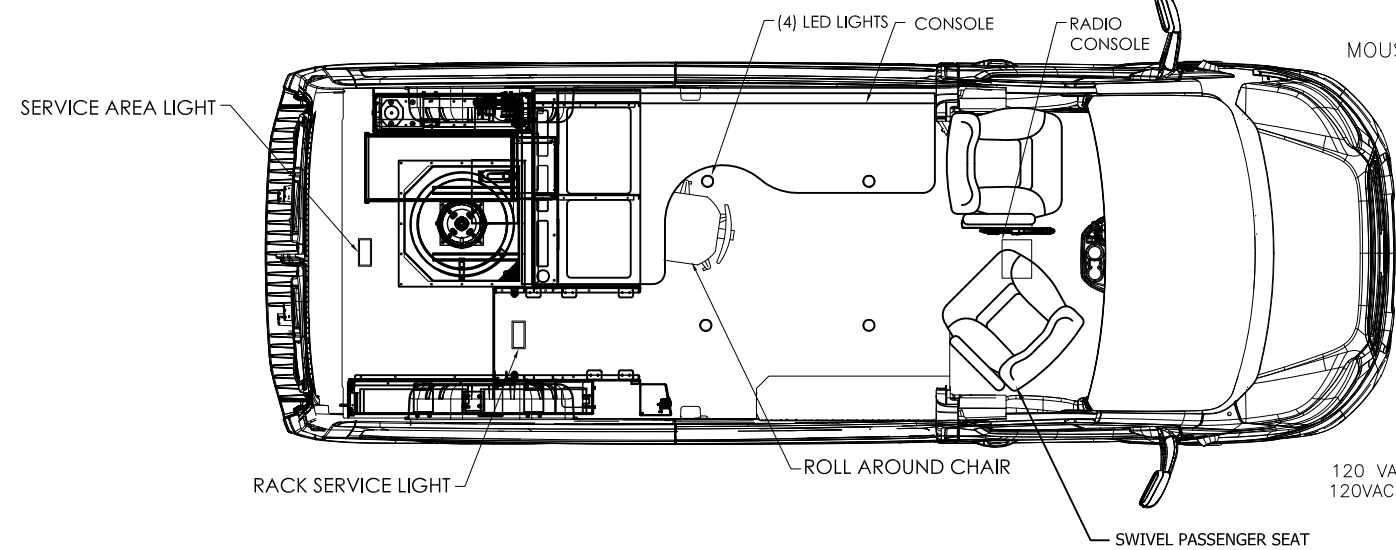


REVISIONS					
CHK DATE	CHK BY	DESCRIPTION	DATE	BY	REV
02/26/20	JAA	INITIAL RELEASE	02/26/20	JRP	00



<p>PRELIMINARY USE ONLY THIS DRAWING IS FOR REPRESENTATION ONLY. DETAILED ENGINEERING DRAWINGS WILL BE CREATED FOR MANUFACTURING. CHANGES MAY BE REQUIRED TO ACCOMMODATE MANUFACTURING REQUIREMENTS AND CUSTOMER SPECIFICATIONS.</p> <p>THIS DRAWING IS THE PROPERTY OF FRONTLINE COMMUNICATIONS CORPORATION. IT IS CONFIDENTIAL AND ALL RIGHTS ARE RESERVED. IT SHALL NOT BE REPRODUCED, COPIED, LENT, NOR USED FOR ANY PURPOSE OTHER THAN THAT FOR WHICH IT IS SPECIFICALLY FURNISHED.</p>	DO NOT SCALE THIS DRAWING DIMENSIONS ARE IN INCHES UNLESS OTHERWISE SPECIFIED	MATERIAL N/A	<p>FRONTLINE COMMUNICATIONS An Oshkosh Corporation Company</p> <p>12770 44th Street North Clearwater, FL 33762-4713 (727) 573-0400 FAX (727) 571-3295</p>
	TOLERANCES: ANGULAR: ± 1° BEND: ± 1° 2 PLACE DECIMAL ± .010 3 PLACE DECIMAL ± .005 FRACTIONS ± 1/16	FINISH N/A	
JOB NUMBER OR PRODUCT LINE 71970	DRAWN BY JRP	DATE 02.26.20	<p>KPRC COMBO TRANSIT ELEVATION DRAWING</p>
SHEET 1 OF 1	CHECKED BY JRP	DATE 02.26.20	
SCALE NTS	SIZE B	DWG NO. 052304	

REVISIONS					
CHK DATE	CHK BY	DESCRIPTION	DATE	BY	REV
03/24/20	RM	INITIAL RELEASE	03-24-20	DPD	00



<p>PRELIMINARY USE ONLY THIS DRAWING IS FOR REPRESENTATION ONLY. DETAILED ENGINEERING DRAWINGS WILL BE CREATED FOR MANUFACTURING. CHANGES MAY BE REQUIRED TO ACCOMMODATE MANUFACTURING REQUIREMENTS AND CUSTOMER SPECIFICATIONS.</p>		DO NOT SCALE THIS DRAWING DIMENSIONS ARE IN INCHES UNLESS OTHERWISE SPECIFIED		MATERIAL N/A		<p>FRONTLINE COMMUNICATIONS An Oshkosh Corporation Company</p>		12770 44th Street North Clearwater, FL 33762-4713 (727) 573-0400 FAX (727) 571-3295	
		TOLERANCES: ANGULAR: ± 1° BEND: ± 1° 2 PLACE DECIMAL ± .010 3 PLACE DECIMAL ± .005 FRACTIONS ± 1/16		FINISH N/A					
<p>THIS DRAWING IS THE PROPERTY OF FRONTLINE COMMUNICATIONS CORPORATION. IT IS CONFIDENTIAL AND ALL RIGHTS ARE RESERVED. IT SHALL NOT BE REPRODUCED, COPIED, LENT, NOR USED FOR ANY PURPOSE OTHER THAN THAT FOR WHICH IT IS SPECIFICALLY FURNISHED.</p>		JOB NUMBER OR PRODUCT LINE 71971		DRAWN BY DPD	DATE 03-24-20	<p>KPRC ENG TRANSIT ELEVATION DRAWING</p>		SIZE B	DWG NO. 052271
		SHEET 1 OF 1	SCALE NTS	CHECKED BY RM	DATE 03.24.20				