

RIGHT SIDE EXTERIOR ELEVATION



EL PASO, TX
REHAB UNIT
C-35 - Ford F750

THIS DRAWING IS THE PROPERTY OF PIERCE MANUFACTURING. IT IS CONFIDENTIAL AND ALL RIGHTS ARE RESERVED. IT SHALL NOT BE REPRODUCED, COPIED, LENT, OR USED FOR ANY PURPOSE OTHER THAN THAT FOR WHICH IT IS SPECIFICALLY FURNISHED.

BID # 824

REP: James Salas

DEALER: Siddons-Martin Emergency Group

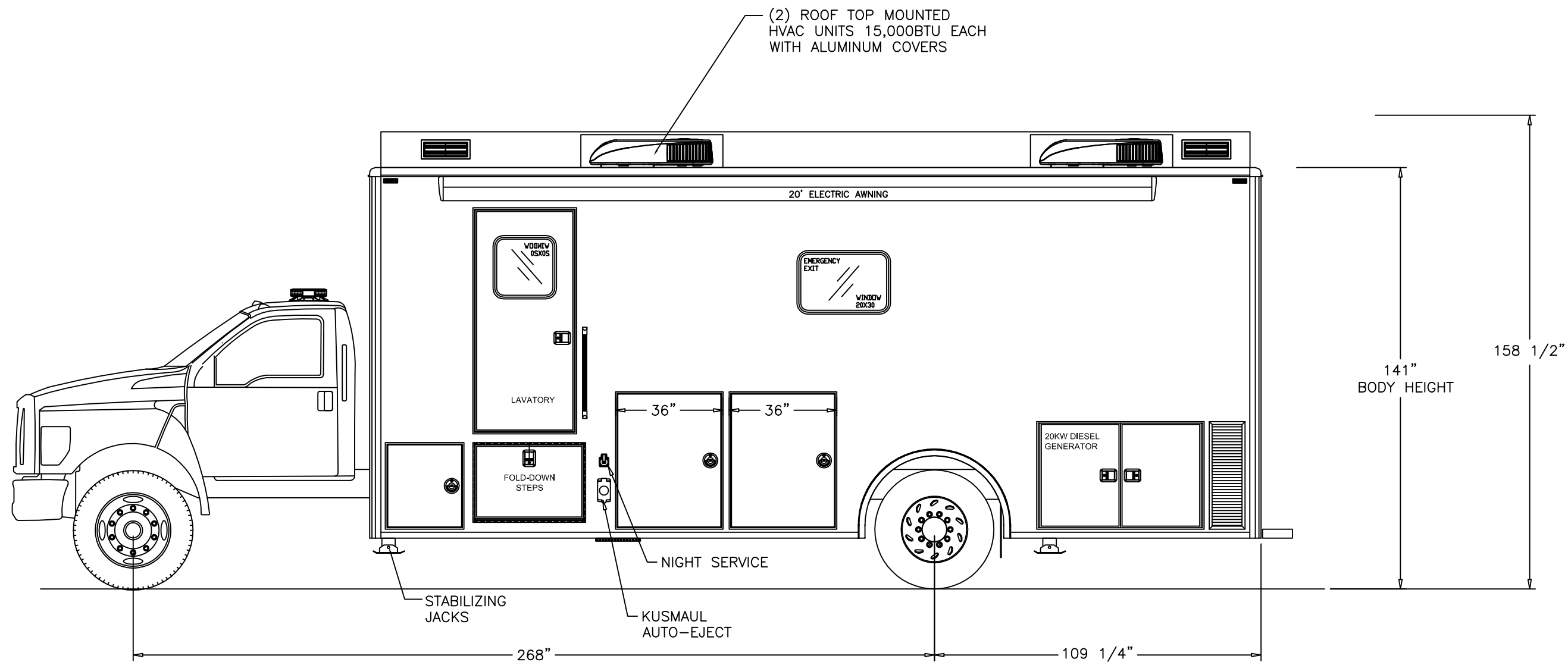
PRELIMINARY USE ONLY
THIS DRAWING IS FOR REPRESENTATION ONLY. DETAILED ENGINEERING DRAWINGS WILL BE CREATED FOR MANUFACTURING. CHANGES MAY BE REQUIRED TO ACCOMMODATE MANUFACTURING REQUIREMENTS AND CUSTOMER SPECIFICATIONS.

DRAWN J.Chriss
SHEET 1 OF 6

DATE 01/30/20
NOT TO SCALE

SIZE B
DWG NO. 052024

REV -



LEFT SIDE EXTERIOR ELEVATION



MANUFACTURING, INC

EL PASO, TX
REHAB UNIT
C-35 - Ford F750

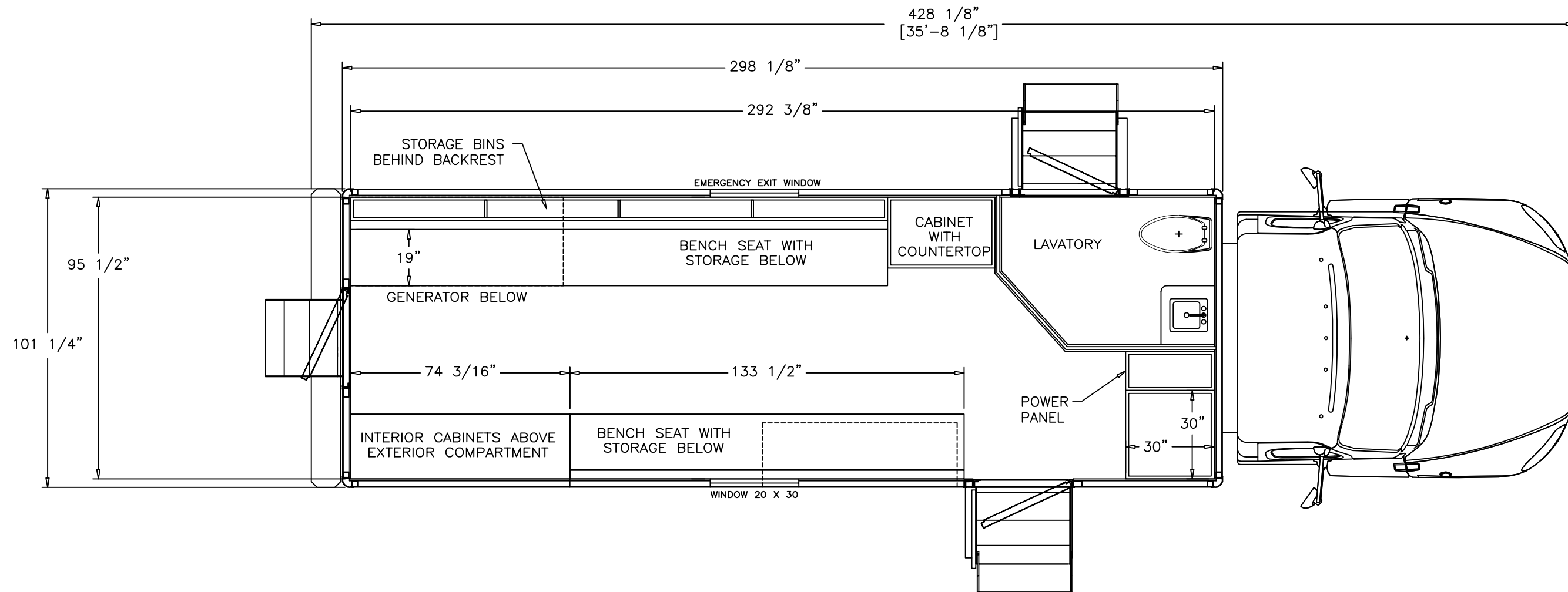
PRELIMINARY USE ONLY
THIS DRAWING IS FOR REPRESENTATION ONLY. DETAILED ENGINEERING DRAWINGS WILL BE CREATED FOR MANUFACTURING. CHANGES MAY BE REQUIRED TO ACCOMMODATE MANUFACTURING REQUIREMENTS AND CUSTOMER SPECIFICATIONS.

DRAWN	J.Chriss	DATE	01/30/20
SHEET	2 OF 6	NOT TO SCALE	

SIZE	DWG NO.	REV
B	052024	-

THIS DRAWING IS THE PROPERTY OF PIERCE MANUFACTURING. IT IS CONFIDENTIAL AND ALL RIGHTS ARE RESERVED. IT SHALL NOT BE REPRODUCED, COPIED, LENT, OR USED FOR ANY PURPOSE OTHER THAN THAT FOR WHICH IT IS SPECIFICALLY FURNISHED.

BID # 824
REP: James Salas
DEALER: Siddons-Martin Emergency Group



FLOOR PLAN



**EL PASO, TX
REHAB UNIT
C-35 - Ford F750**

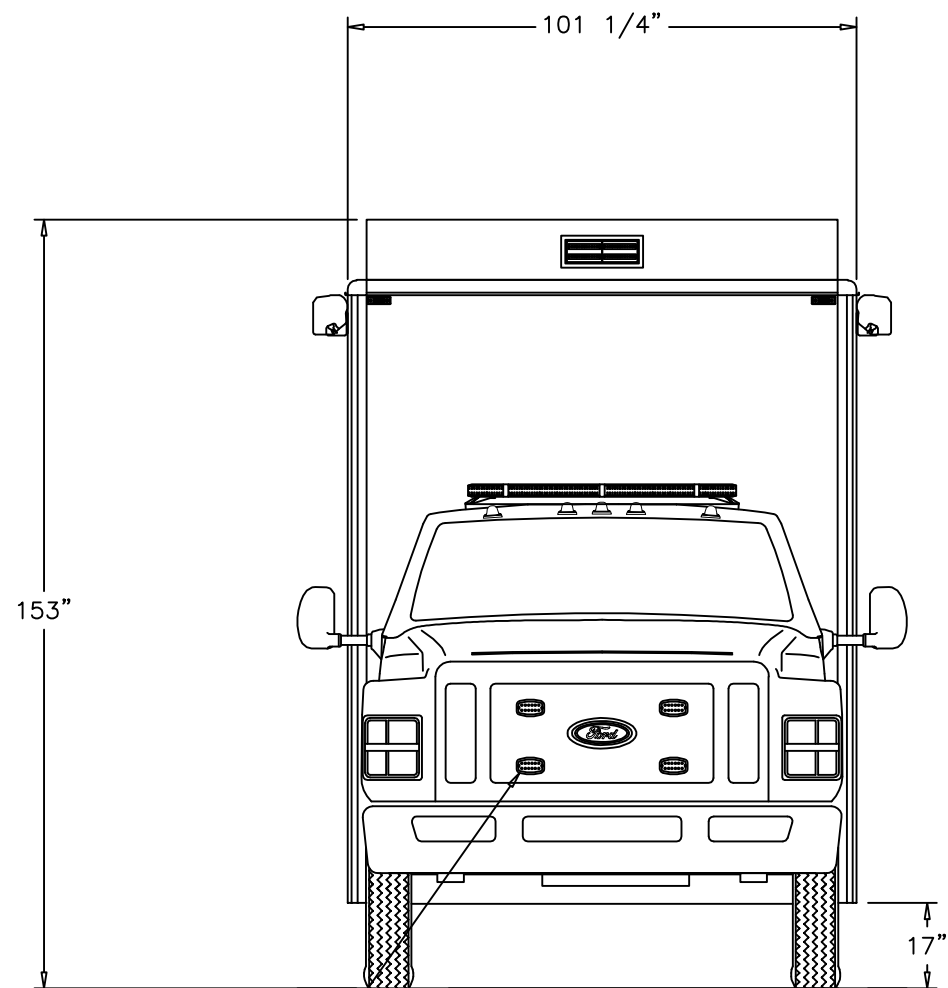
THIS DRAWING IS THE PROPERTY OF PIERCE MANUFACTURING. IT IS CONFIDENTIAL AND ALL RIGHTS ARE RESERVED. IT SHALL NOT BE REPRODUCED, COPIED, LENT, OR USED FOR ANY PURPOSE OTHER THAN THAT FOR WHICH IT IS SPECIFICALLY FURNISHED.

BID # 824
REP: James Salas
DEALER: Siddons-Martin Emergency Group

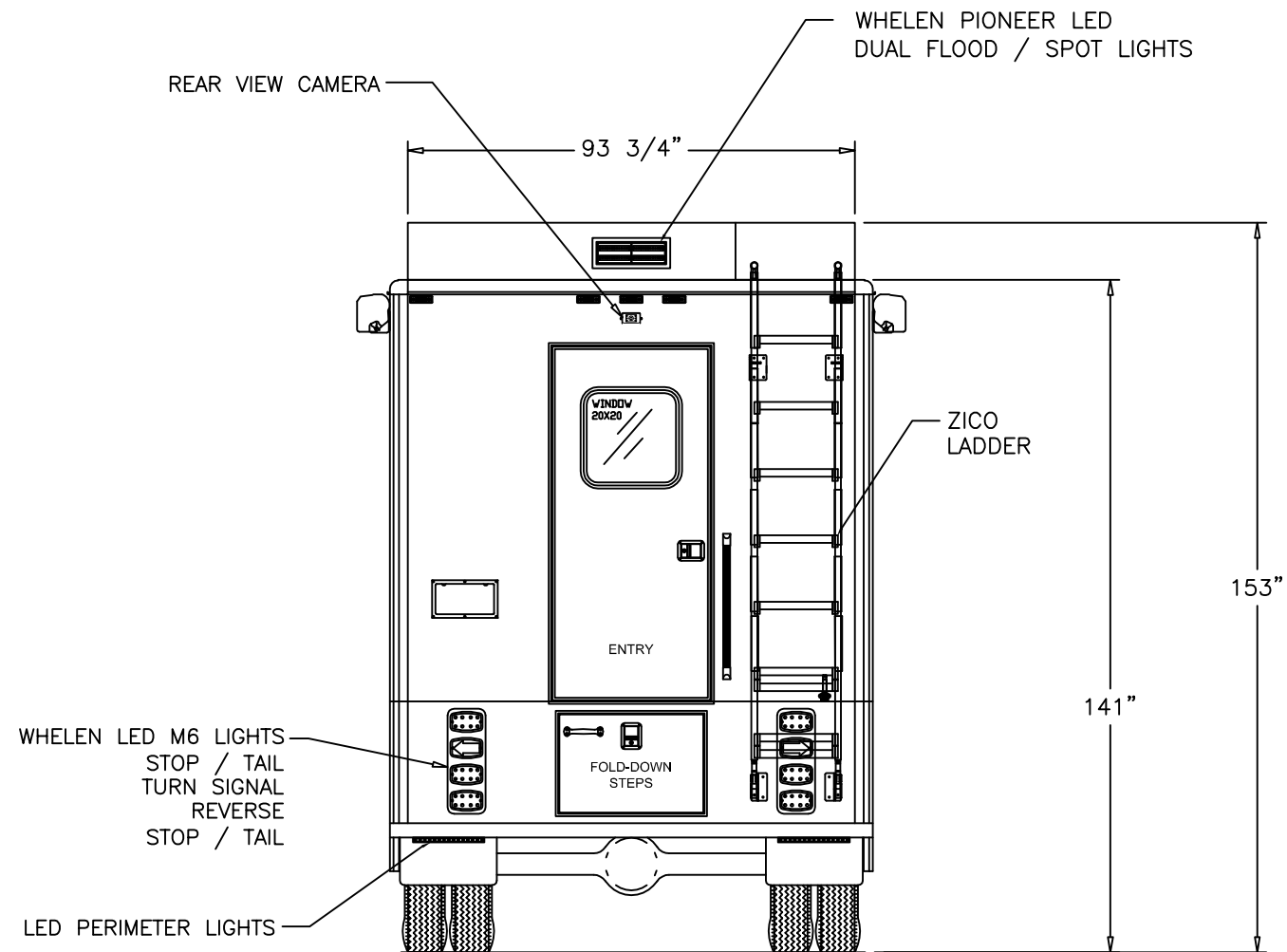
PRELIMINARY USE ONLY
 THIS DRAWING IS FOR REPRESENTATION ONLY. DETAILED ENGINEERING DRAWINGS WILL BE CREATED FOR MANUFACTURING. CHANGES MAY BE REQUIRED TO ACCOMMODATE MANUFACTURING REQUIREMENTS AND CUSTOMER SPECIFICATIONS.

MANUFACTURING, INC
 DRAWN **J.Chriss** DATE **01/30/20**
 SHEET **3 OF 6** NOT TO SCALE

SIZE **B** DWG NO. **052024** REV **-**



FRONT EXTERIOR



REAR ELEVATION



MANUFACTURING, INC

**EL PASO, TX
REHAB UNIT
C-35 - Ford F750**

THIS DRAWING IS THE PROPERTY OF PIERCE MANUFACTURING. IT IS CONFIDENTIAL AND ALL RIGHTS ARE RESERVED. IT SHALL NOT BE REPRODUCED, COPIED, LENT, OR USED FOR ANY PURPOSE OTHER THAN THAT FOR WHICH IT IS SPECIFICALLY FURNISHED.

BID # 824

REP: James Salas

DEALER: Siddons-Martin Emergency Group

PRELIMINARY USE ONLY
THIS DRAWING IS FOR REPRESENTATION ONLY. DETAILED ENGINEERING DRAWINGS WILL BE CREATED FOR MANUFACTURING. CHANGES MAY BE REQUIRED TO ACCOMMODATE MANUFACTURING REQUIREMENTS AND CUSTOMER SPECIFICATIONS.

DRAWN **J.Chriss**
SHEET **5 OF 6**

DATE **01/30/20**
NOT TO SCALE

SIZE **B**

DWG NO. **052024**

REV **-**