



**SPECTRUM**  
SINGLE SOURCE LED EXPOSURE



## Key Features

### LED

The Spectrum LED has single source long life LED array. The broad spectrum LED array cures an expansive list of emulsions. It requires no warm up time and provides fast exposures as quick as 8 to 12 seconds.

### Automatic features

Automatic vacuum pull down and automatic release end of cycle. The Spectrum LED has an auto-reset timer, cycle stat and easy lift-assist gas shock.

### Design

Durable deep draw rubber blanket  
Table top design  
Screen and plate size 23" x 31"  
LCD Color screen and touch display  
120V or 220V vacuum pump  
Optional leg kit (weight - 32lbs)

## Overview

Quality prints starts with a detailed exposure of the screens. The Spectrum is our new, single-lit source LED, table top exposure unit.

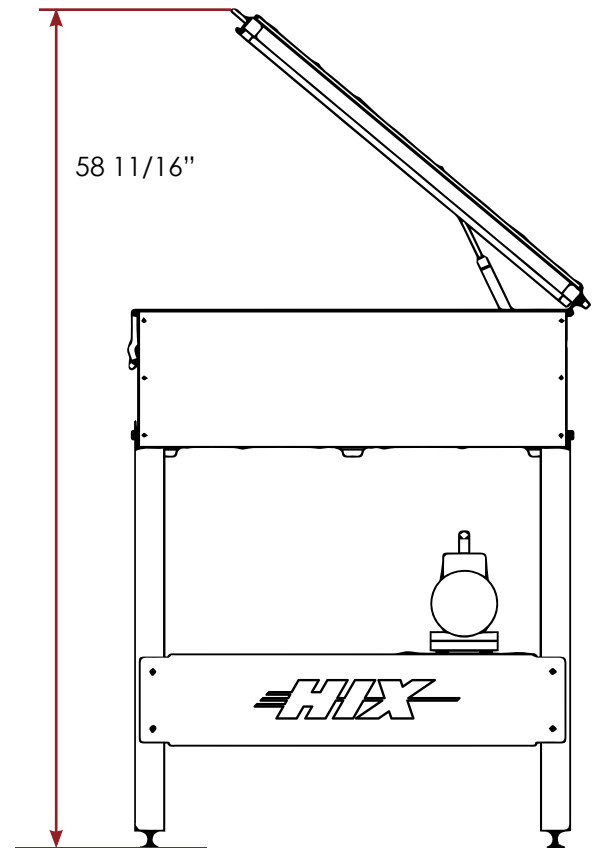
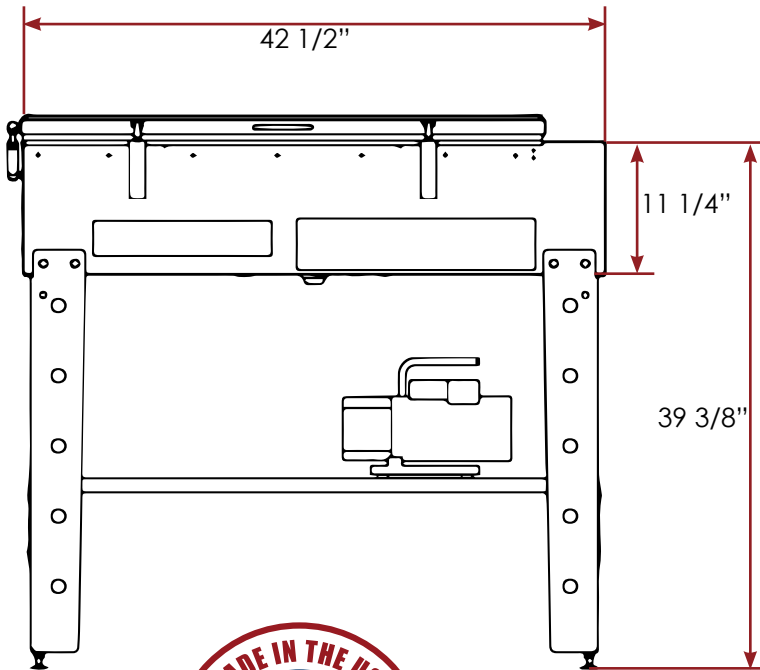
Vacuum and exposure time are centrally controlled via a new touchscreen display.

Built-in safety features prevent accidental exposure.



## Specifications

Dimensions	42 1/2" W x 33" D x 11 1/4" H	Exposure Time	8-12 Seconds
Weight	115 lbs (131 lbs with pump)	Volts	120V and 220V
Shipping Weight	185 lbs (on pallet)	Amperage	5 A
Plate and Screen Size	23" x 31"	Frequency	60Hz
Light Source	Single Source LED	Plug	NEMA 5-15P
Wavelength Spectrum	370 - 410nm	Vacuum Pump	120V or 220V



[hixgraphics.com](http://hixgraphics.com)

800.835.0606

HIX Corporation | 1201 E. 27th Terrace | Pittsburg, KS 66762