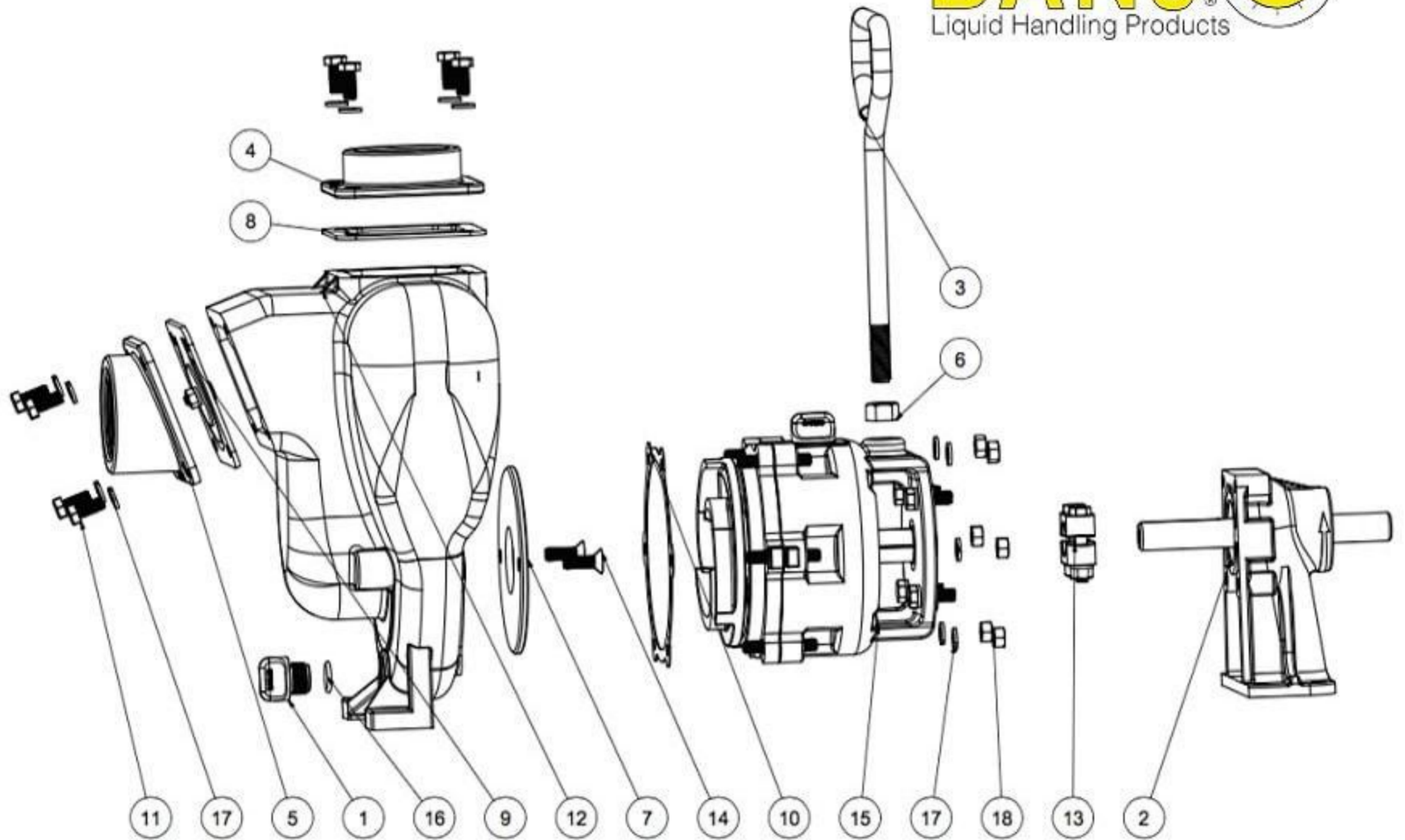


Banjo 2" Stainless Steel Pumps w/Bearings

201PBSSW



Parts List

Item	Description	Item no.
1	1/2" Drain Plug	12777SS
2	Bearing Pedestal	12882A
3	2" Pump Handle	15022
4	2" Outlet Flange, SS	17000SS
5	2" Inlet Flange, SS	17002SS
6	1/2-13 Hex Nut	17010
7	Wear Plate	17011SS
8	Outlet Flange Gasket FKM	17014
9	CI Pump Check Valve Assembly	17017
10	Pump Adapter Gasket	17018
11	5/16-18 x 1" HHCS	17019
12	2" Pump Housing	17026SSX
13	CI Pump Keyed Clamp	17123
14	5/16-18 x 1" FHSCS	17130SS
15	2" SS Wet Seal Assembly, New	17200ASS
16	#114 O'ring, FKM	UV15163V
17	5/16" Lockwasher	V10118
18	5/16" Hex Nut	V10119
19	Decal (N/S)	12910
20	Wet Seal Warning Tag (N/S)	KK-57

