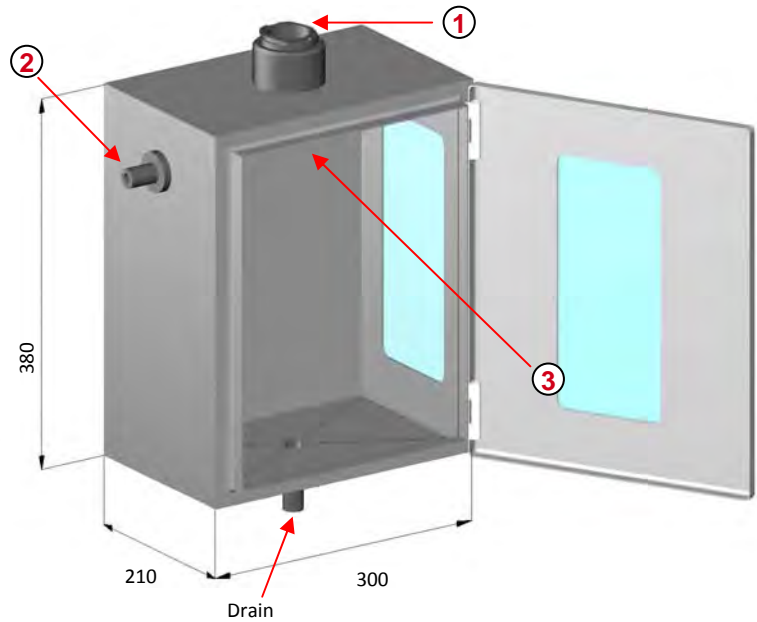


ASI

SAFETY CABINET

Material⁴
Stainless steel

Other dimensions on request



OPTIONS

1 Thread adapter with quick connection

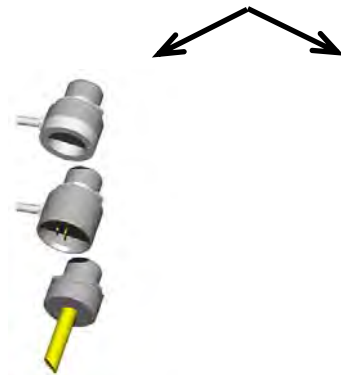
ADAPT.	Face to Face
MFE-FAE	500mm
MFR-FAR	EN (DIN) / ANSI

4

2 Exhaust / vent

3 Accessories

Adapters



Thread adapter



Bottle holder or
needle adapter

Adjustable plate support



⁴ other material on request

