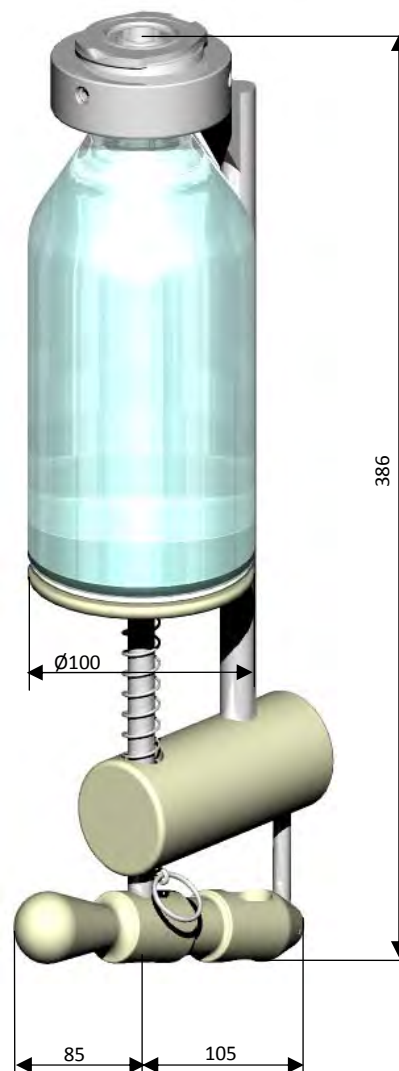


ADJUSTABLE PLATE SUPPORT
WITH THREADLESS OR NEEDLE ADAPTER

Material¹
1.4301 / PFA / PP

4



OPTION	
Safety plug	p. 4.010
Bottle heat protection	p. 5.060
Splash protection	p. 5.070

INFO	
Bottle	p. 5.020

¹ other material on request