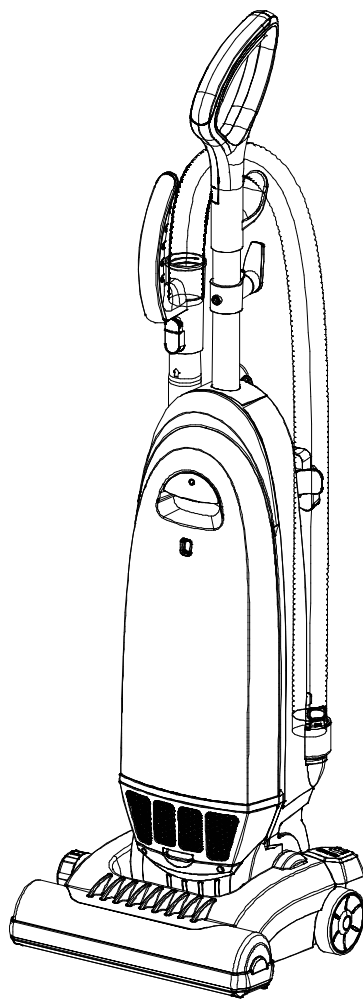
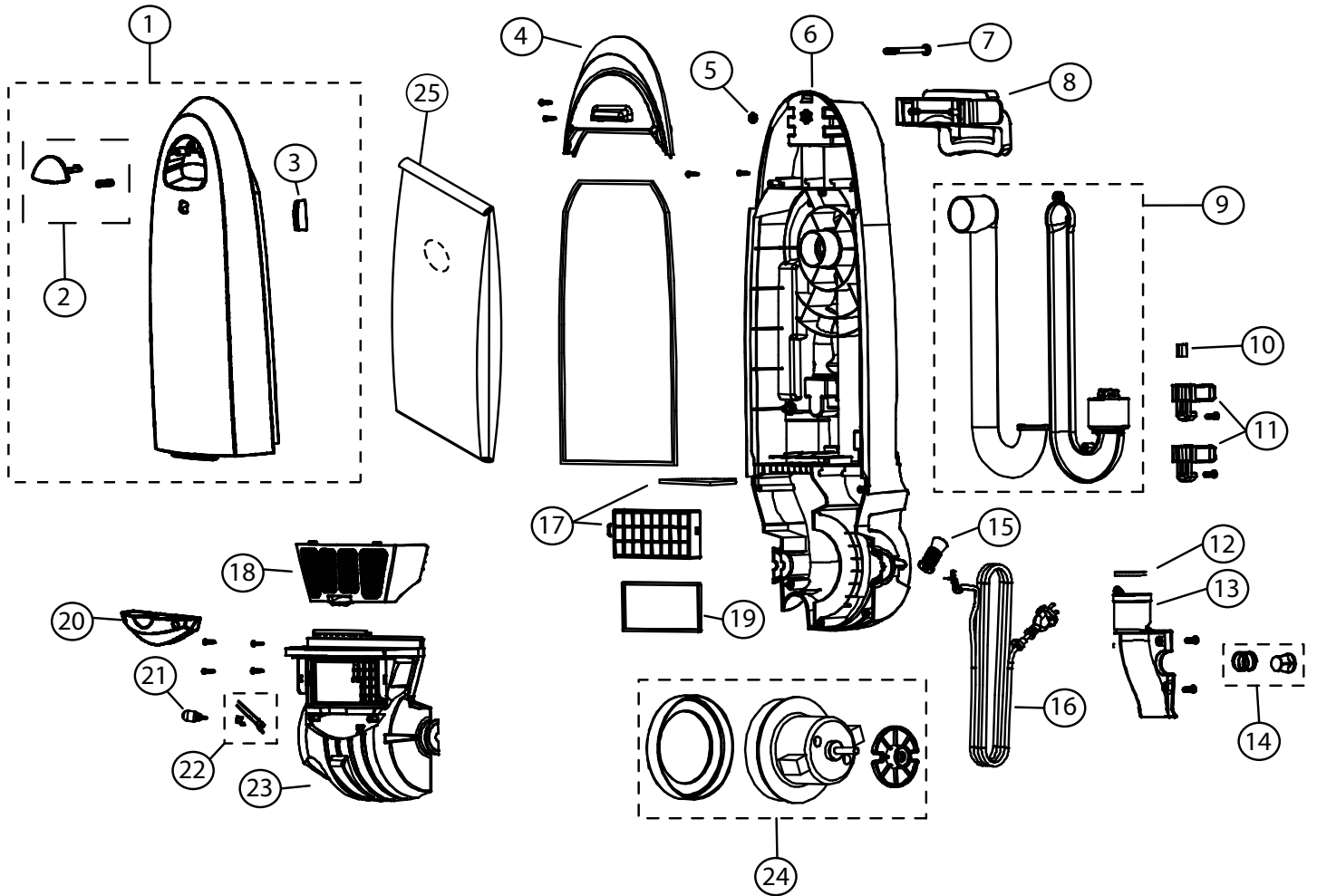


SIMPLICITY PARTS BOOK

S20EZM MODEL



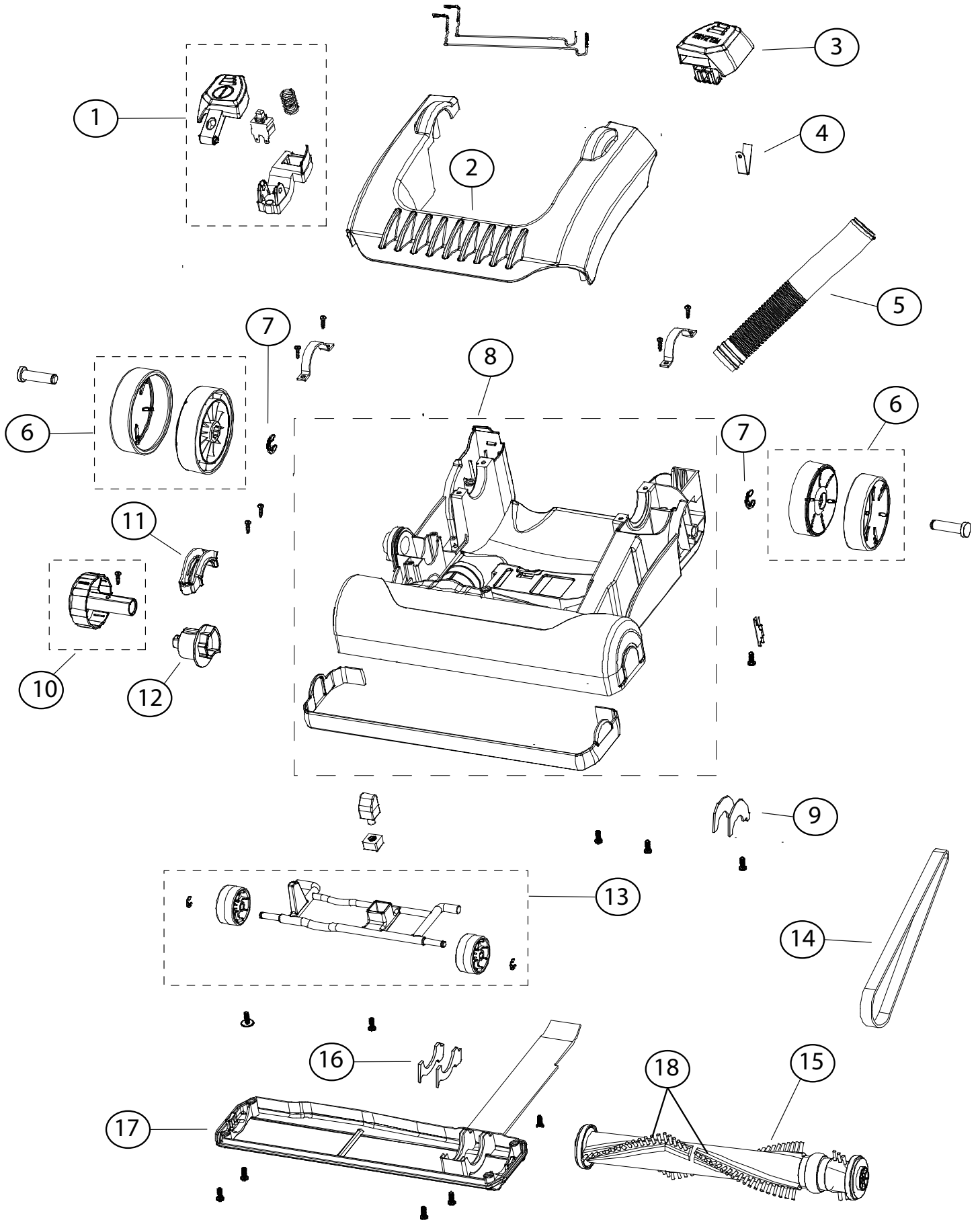


MAIN BODY ASSEMBLY**Simplicity Model S20EZM**

KEY	PART NUMBER	DESCRIPTION
1	C283-0910	White Dust Cover Assembly
2	C283-1000	Dust Cover Latch with Spring
3	C283-2000	Full Bag Indicator Assembly
4	B283-1000	Cover Plate
5	B283-4400	Handle Nut
6	C283-2300	Dust Compartment
7	B283-0100	Handle Bolt
8	B283-4500	Carrying Handle
9	C283-2700	Airpath Assembly
10	B283-0200	Upper Crevice Tool Clip
11	B283-0300	Lower Tool Clip
12	B283-0400	Wand Inlet Tube Seal
13	B283-0500	Wand Inlet Tube
14	C283-2500	Pressure Relief Valve
15	B283-0600	Cord Strain Relief
16	C283-0012	Power Cord
17	SF20EZM	Filter Set
18	B283-0110	White Filter Cover
19	B283-0900	Post HEPA Filter Seal
20	B283-0800	Lens Cover
21	A350-0000	Light Bulb
22	B283-5800	Light Socket Assembly
23	B283-0700	Motor Cover
24	C283-2600	Motor Assembly
25	S6-6	Paper Bag (6 Pack)
	SAH-6	HEPA Bag (6 pack)

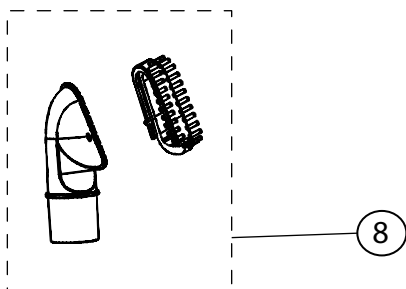
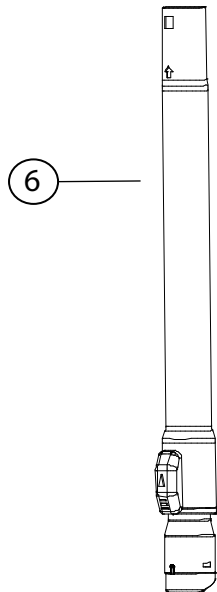
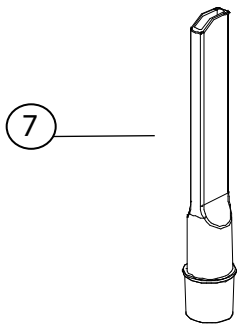
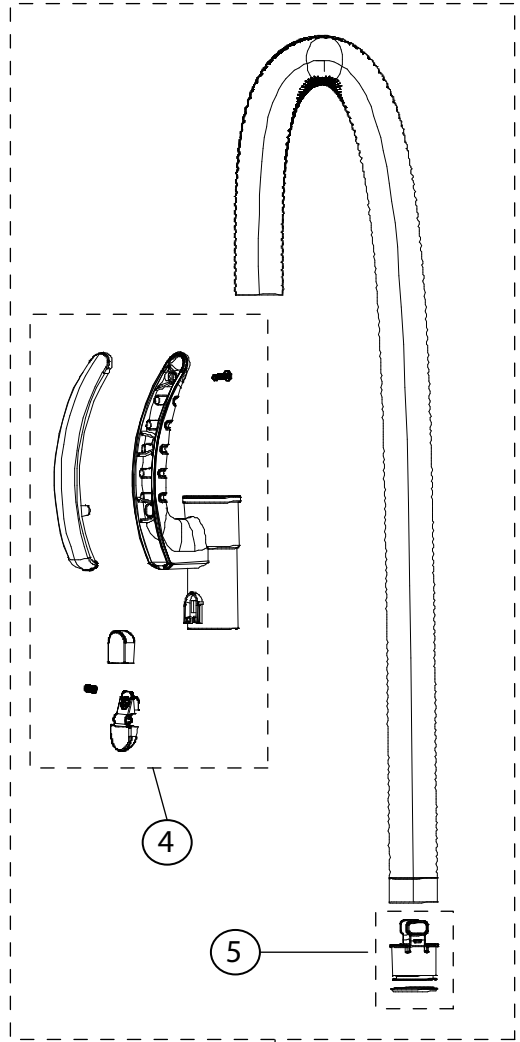
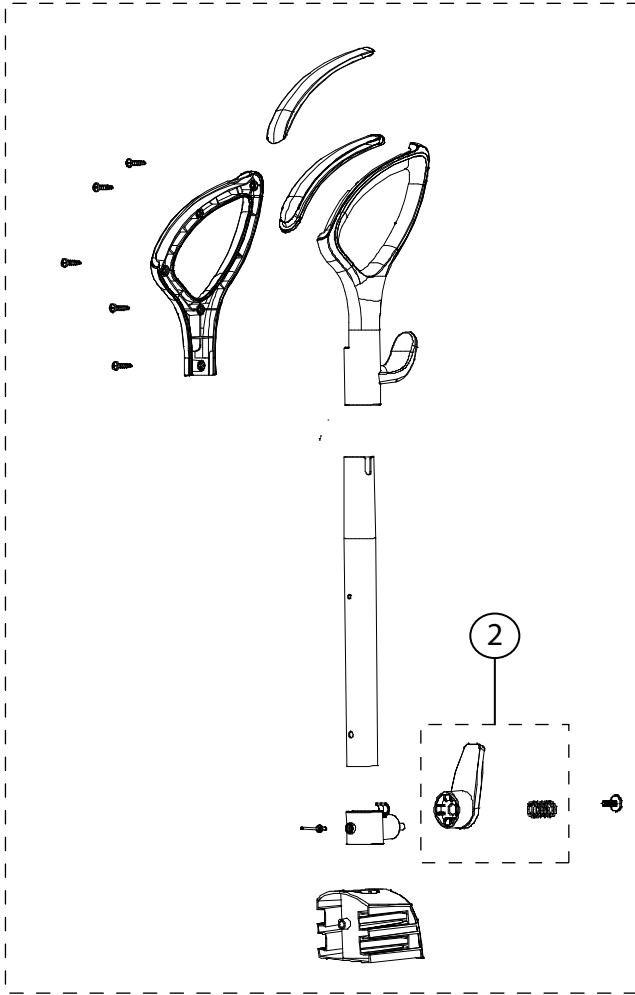
NOZZLE ASSEMBLY

Simplicity Model S20EZM



NOZZLE ASSEMBLY**Simplicity Model S20EZM**

KEY	PART NUMBER	DESCRIPTION
1	B283-4900	On/Off Pedal Assembly Black
2	B283-1730	White Nozzle Cover
3	C283-0300	Handle Release Button
4	B283-5200	Handle Release Spring
5	B283-1300	Nozzle Inlet Tube
6	B283-0038	Rear Wheel Assembly
7	B283-0037	Rear Wheel E Clip
8	B283-5400	Basetray with Furniture Guard
9	B283-1400	Upper Agitator Seal
10	C283-3601	Height Adjust Knob Black w/Blue Print
11	B283-5500	Height Adjust Press Plate
12	B283-5600	Height Adjust Axle
13	C283-3000	Height Adjust Frame Assembly
14	EZM-B2	Belt (2 pack)
	B014-6900	Belt (Single)
15	C283-3100	Agitator
16	B283-1500	Lower Agitator Seal
17	B283-0042B	Baseplate
18	B283-1600	Brush Strip



HANDLE AND ACCESSORIES

Simplicity Model S20EZM

KEY	PART NUMBER	DESCRIPTION
1	C283-2120	Handle Assembly
2	C283-2200	Cord Hook
3	C283-2800	Hose Assembly
4	B283-4700	Hose Handle
5	B283-4600	Hose Connector
6	53.157	Wand Assembly
7	B283-1200	Crevice Tool
8	C283-6900	Upholstery/Dusting Brush