

All Terrain Cart Manual

All Terrain Cart



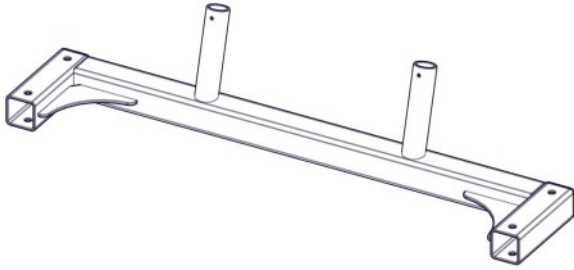
Additional Accessories Available for Purchase at drdishbasketball.com/accessories

www.DrDishBasketball.com

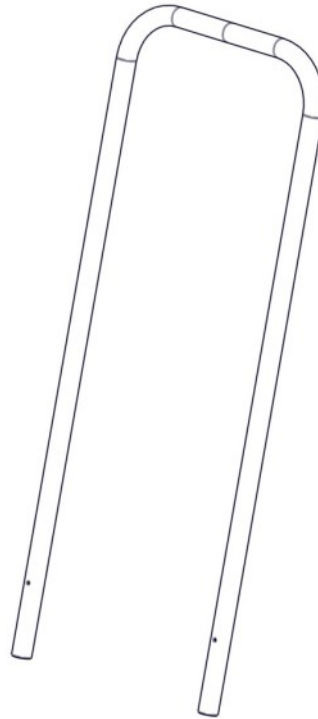
COMPONENTS

2

Rear Frame



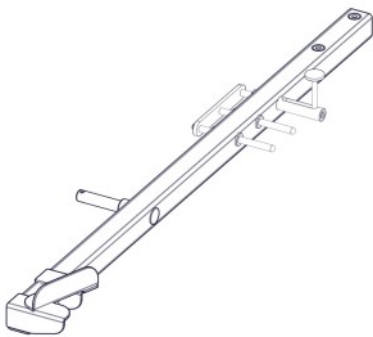
Handle



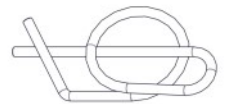
M10 Bolt x 8



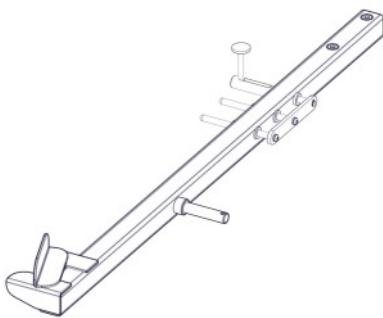
Right Frame x 1



Locking Pin x 2



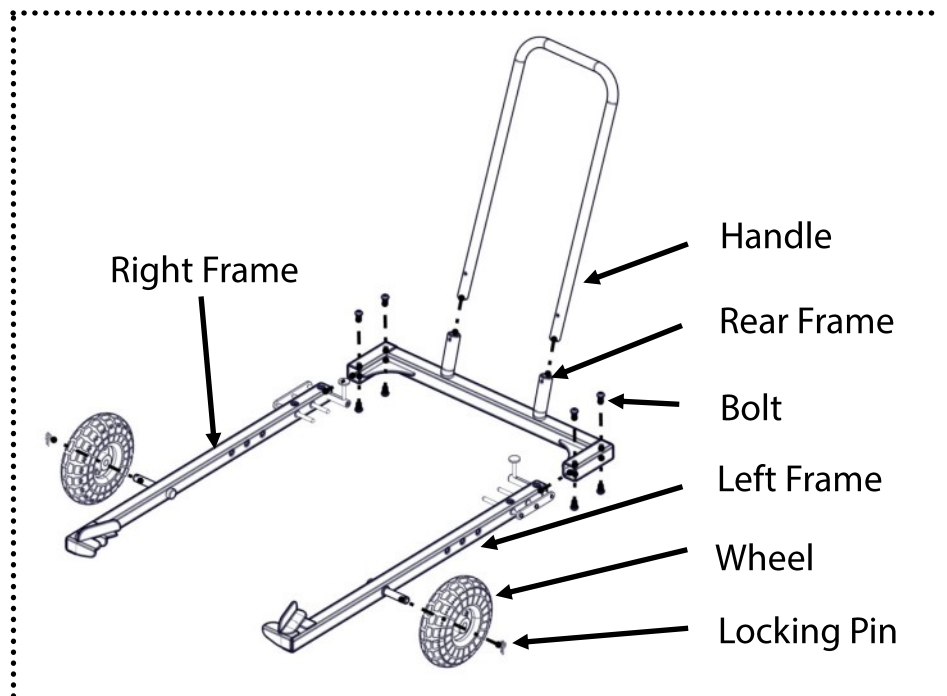
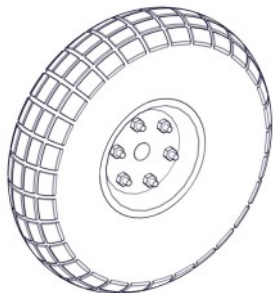
Left Frame x 1



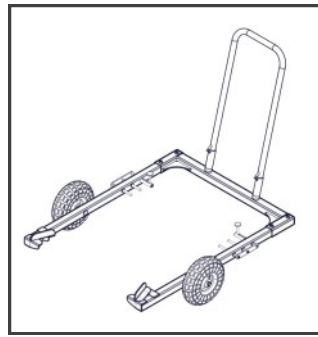
6 mm Allen



Wheel x 2



ASSEMBLY



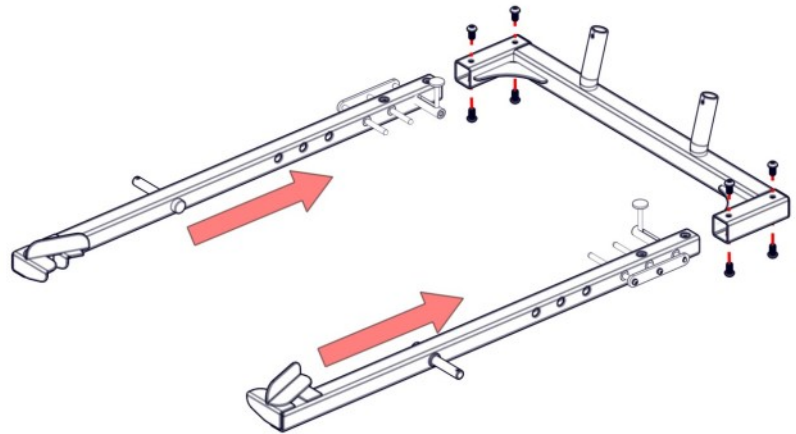
3

1. Attach Frame

Install left and right frames to rear frame using 8 bolts.

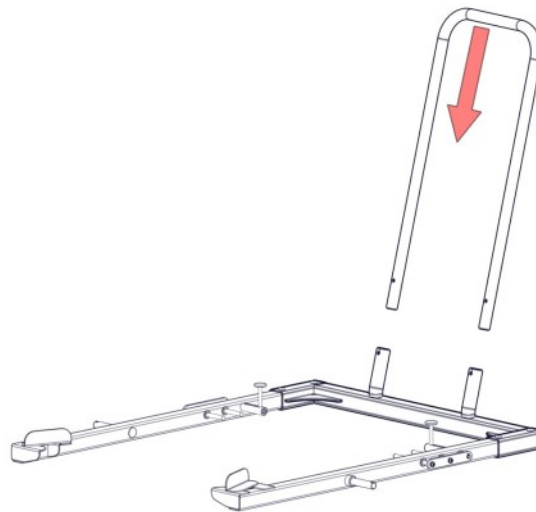


6 mm Allen



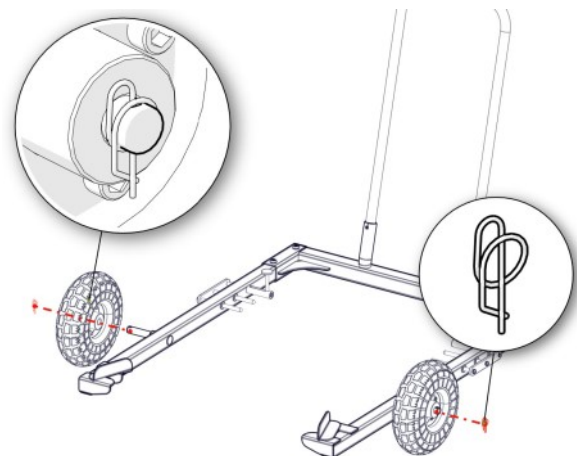
2. Attach Handle

Install handle into rear frame until it clicks/snaps in place.



3. Attach Wheels

Install wheels using 2 locking pins to secure in place.



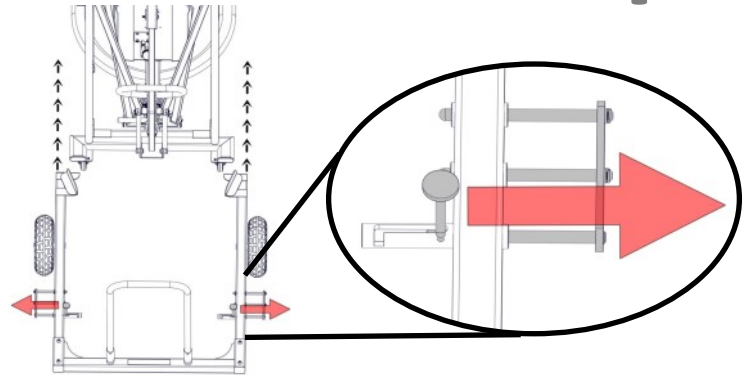
TRANSPORTING MACHINE

4

1. Align Cart

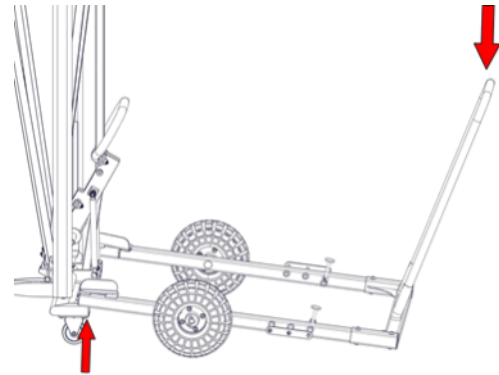
Push pins out on each side.

Align cart on back side of the machine.



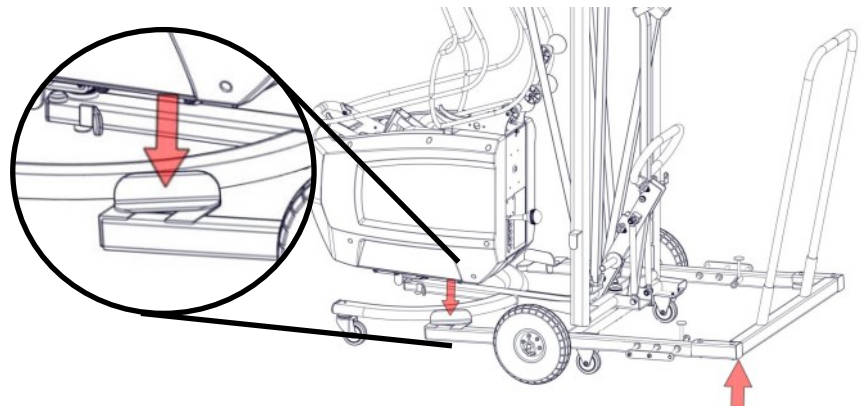
2. Cart Over Back Wheels

Push down on handle to lift front of cart up and over the back wheels of the machine.



3. Push Forward

Level cart and push all the way forward so front ledges fit securely under the frame.



4. Lock in Machine

On both sides, align the back pins beside rear wheels. Push pins in to lock wheel. Pivot locking knob down towards back handle

