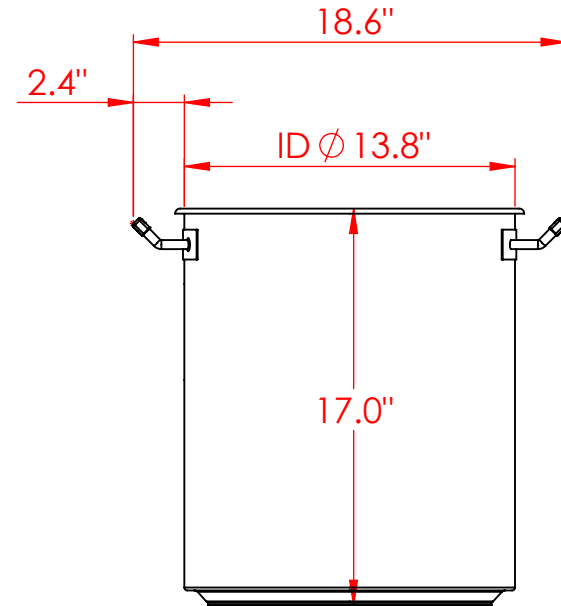
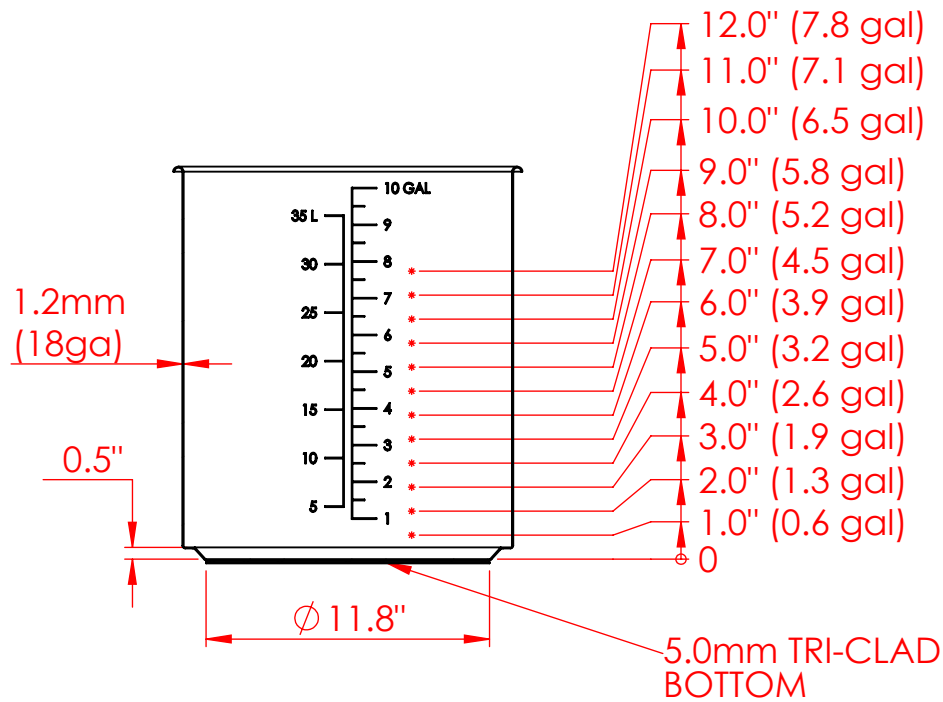


2

1

B

B



A

A

**PROPRIETARY AND CONFIDENTIAL**

THE INFORMATION CONTAINED IN THIS DRAWING IS THE SOLE PROPERTY OF SPIKE BREWING, LLC. ANY REPRODUCTION IN PART OR AS A WHOLE WITHOUT THE WRITTEN PERMISSION OF SPIKE BREWING, LLC IS PROHIBITED.

MATERIAL 304SS

FINISH MIRROR FINISH

DO NOT SCALE DRAWING

	NAME	DATE	REV	DESCRIPTION OF CHANGE
DRAWN	A. Deasy	6/27/18	V3	Initial Drawing Release
REVISED				
REVISED				

**SPIKE BREWING**



TITLE: 10gal Kettle Vol/Height Template

SIZE <b>A</b>	DWG. NO.	REV <b>V3</b>
---------------	----------	---------------

SCALE: 1:20 SHEET 1 OF 5

2

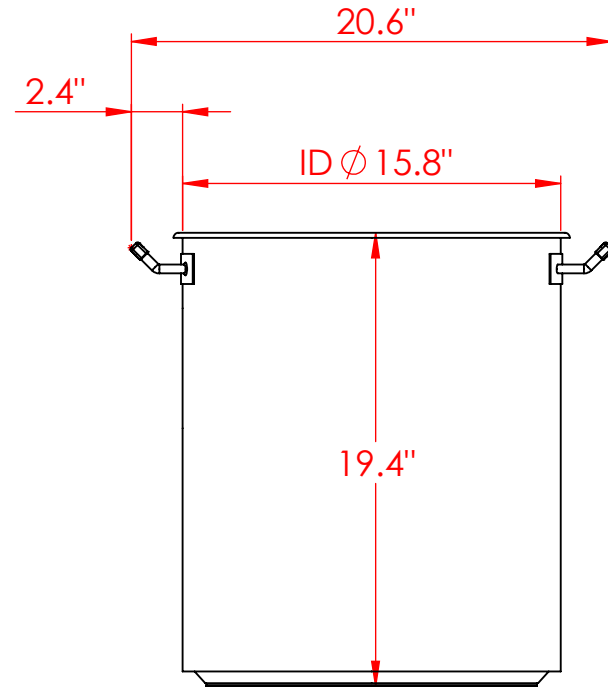
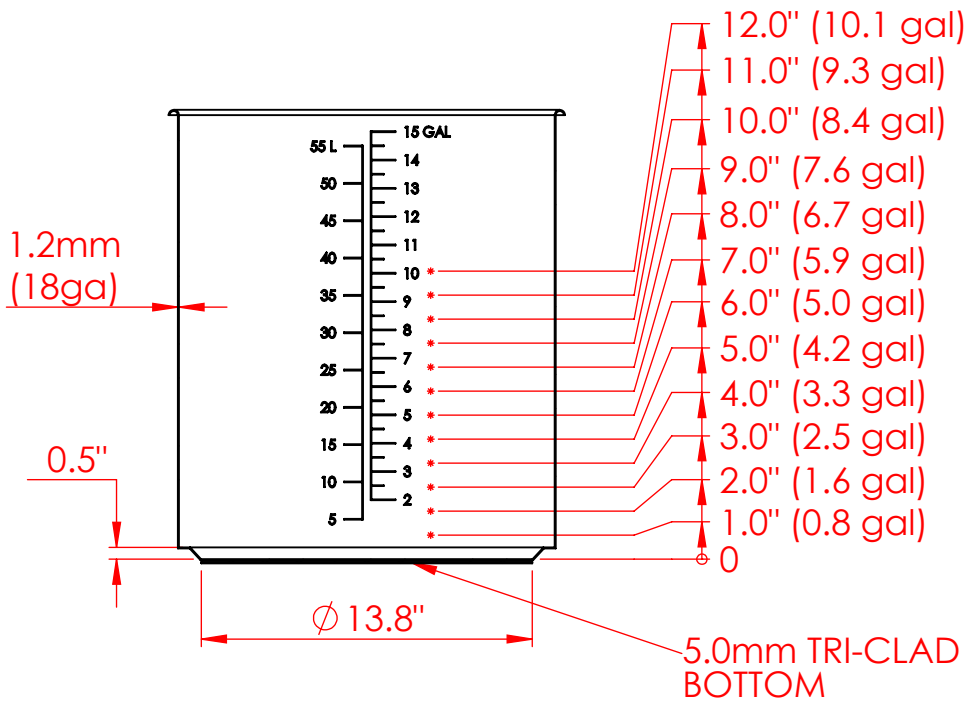
1

2

1

B

B



A

A

**PROPRIETARY AND CONFIDENTIAL**

THE INFORMATION CONTAINED IN THIS DRAWING IS THE SOLE PROPERTY OF SPIKE BREWING, LLC. ANY REPRODUCTION IN PART OR AS A WHOLE WITHOUT THE WRITTEN PERMISSION OF SPIKE BREWING, LLC IS PROHIBITED.

MATERIAL 304SS

FINISH MIRROR FINISH

DO NOT SCALE DRAWING

	NAME	DATE	REV	DESCRIPTION OF CHANGE
DRAWN	A. Deasy	6/27/18	V3	Initial Drawing Release
REVISED				
REVISED				

**SPIKE BREWING**



TITLE: 15gal Kettle Vol/Height Template

SIZE <b>A</b>	DWG. NO.	REV <b>V3</b>
---------------	----------	---------------

SCALE: 1:20

SHEET 2 OF 5

2

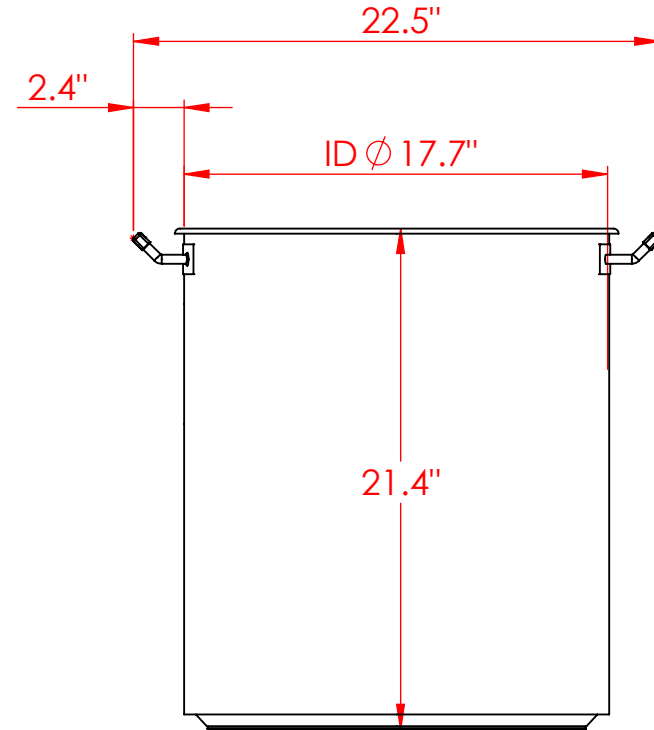
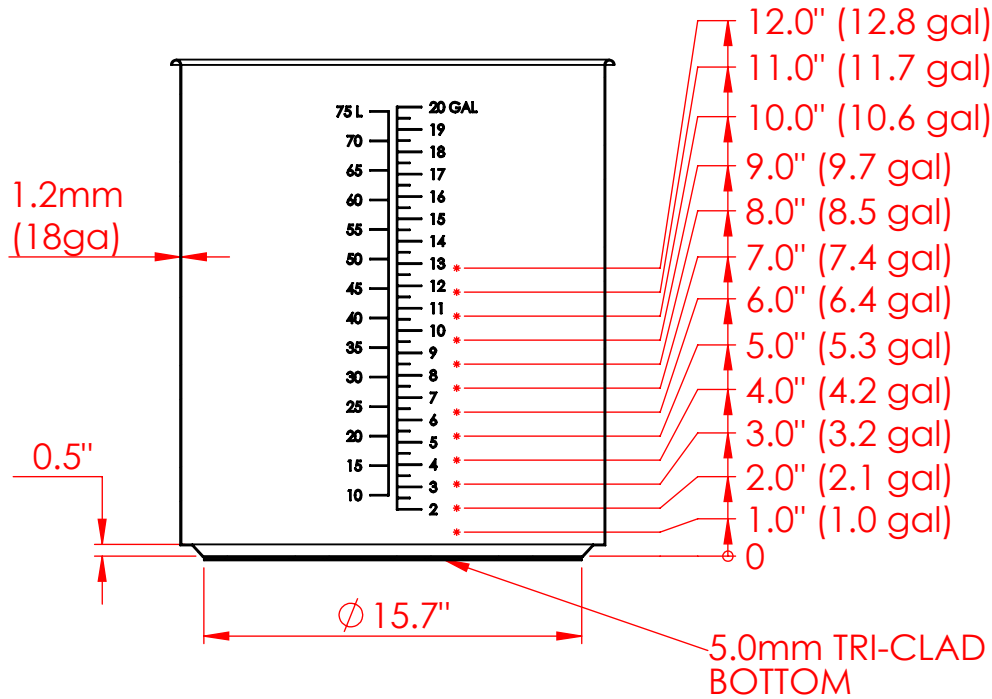
1

2

1

B

B



A

A

**PROPRIETARY AND CONFIDENTIAL**

THE INFORMATION CONTAINED IN THIS DRAWING IS THE SOLE PROPERTY OF SPIKE BREWING, LC. ANY REPRODUCTION IN PART OR AS A WHOLE WITHOUT THE WRITTEN PERMISSION OF SPIKE BREWING, LLC IS PROHIBITED.

MATERIAL 304SS

FINISH MIRROR FINISH

DO NOT SCALE DRAWING

	NAME	DATE	REV	DESCRIPTION OF CHANGE
DRAWN	A. Deasy	6/27/18	V3	Initial Drawing Release
REVISED				
REVISED				

**SPIKE BREWING**



TITLE: 20gal Kettle Vol/Height Template

SIZE <b>A</b>	DWG. NO.	REV <b>V3</b>
---------------	----------	---------------

SCALE: 1:20

SHEET 3 OF 5

2

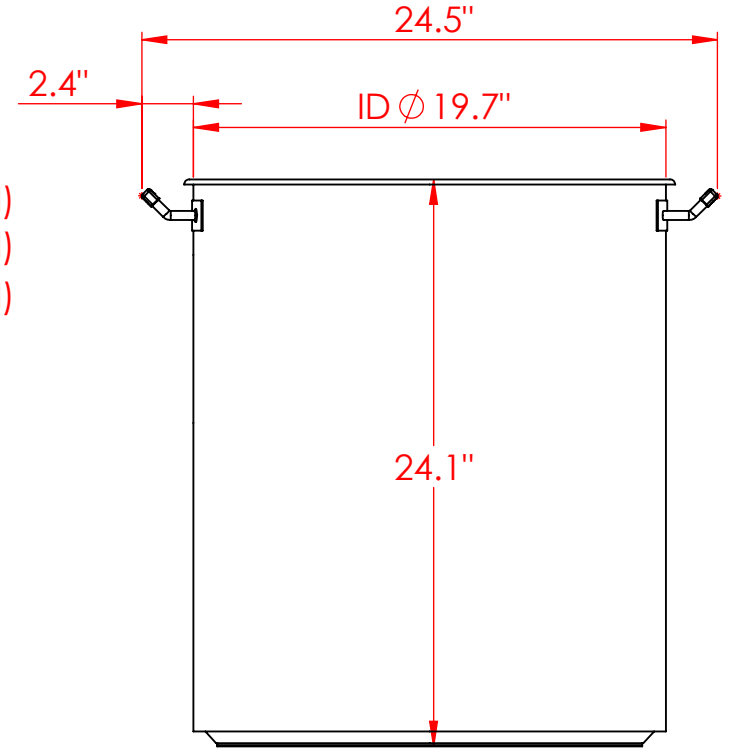
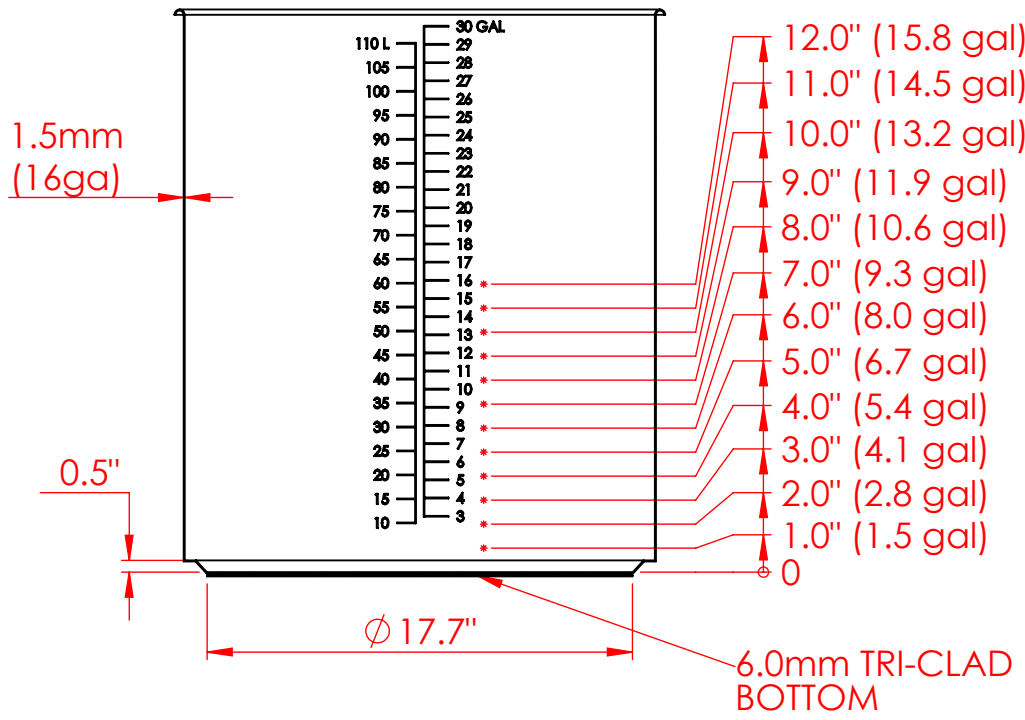
1

2

1


B

B



A

A

<b>PROPRIETARY AND CONFIDENTIAL</b> THE INFORMATION CONTAINED IN THIS DRAWING IS THE SOLE PROPERTY OF SPIKE BREWING, LC. ANY REPRODUCTION IN PART OR AS A WHOLE WITHOUT THE WRITTEN PERMISSION OF SPIKE BREWING, LLC IS PROHIBITED.	NAME	DATE	REV	DESCRIPTION OF CHANGE	
	DRAWN	A. Deasy	6/27/18	V3	Initial Drawing Release
	REVISED				
MATERIAL 304SS FINISH MIRROR FINISH DO NOT SCALE DRAWING	<b>SPIKE BREWING</b> 		TITLE: 30gal Kettle Vol/Height Template		
	SIZE	DWG. NO.	REV		
	<b>A</b>		<b>V3</b>		
	SCALE: 1:20		SHEET 4 OF 5		

2

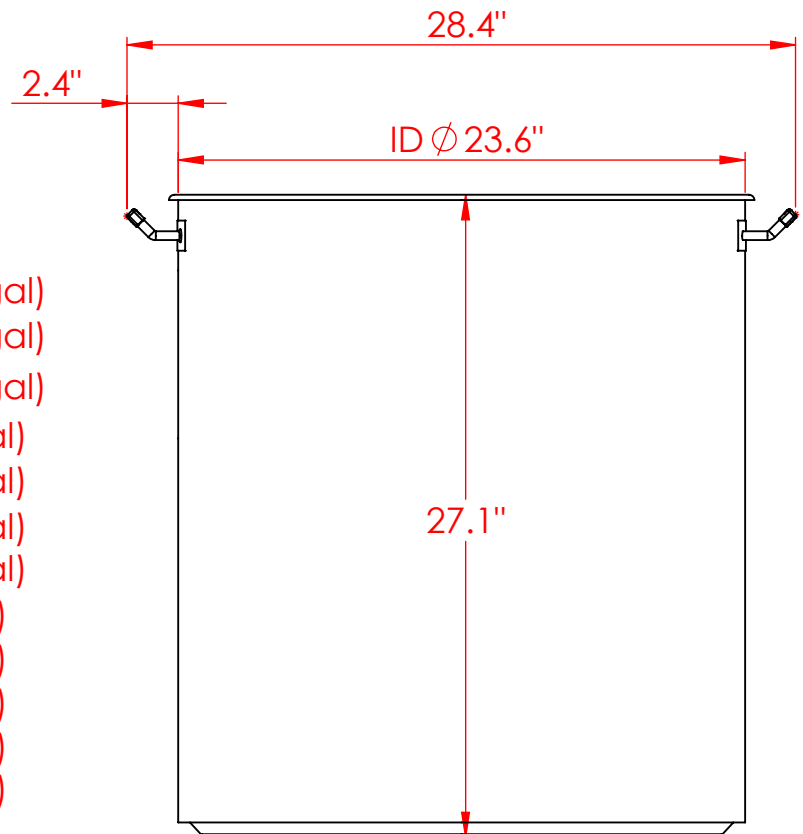
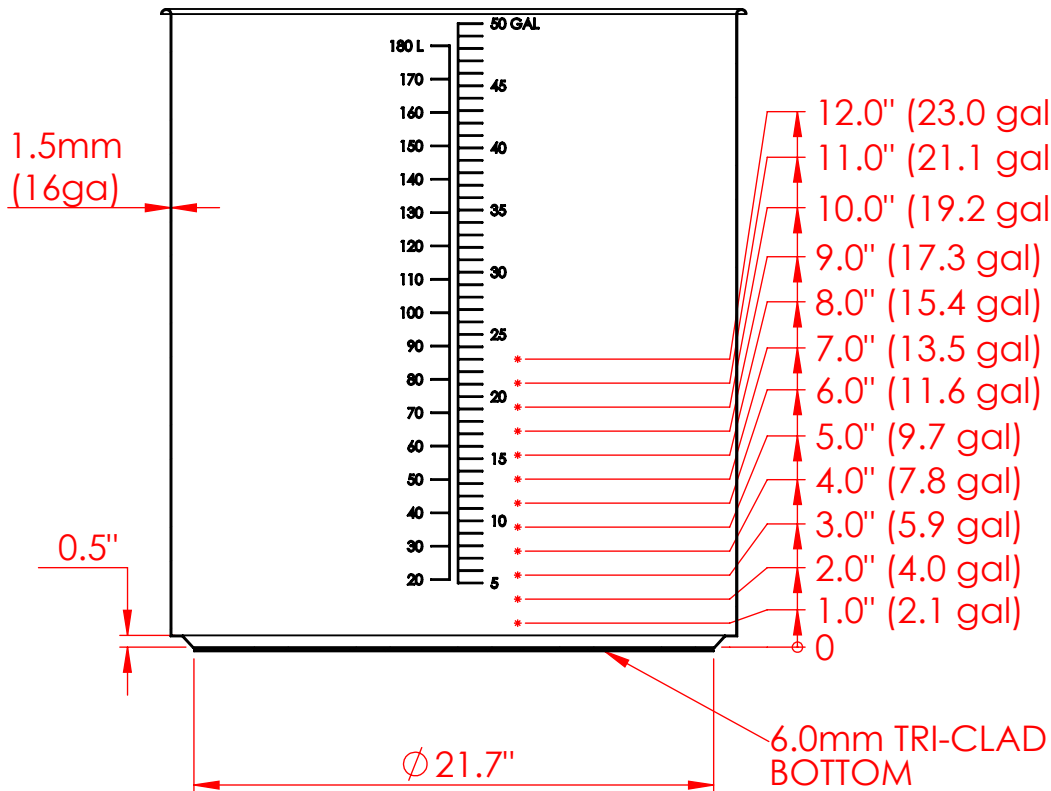
1

2

1

B

B



A

A

<b>PROPRIETARY AND CONFIDENTIAL</b> THE INFORMATION CONTAINED IN THIS DRAWING IS THE SOLE PROPERTY OF SPIKE BREWING, LLC. ANY REPRODUCTION IN PART OR AS A WHOLE WITHOUT THE WRITTEN PERMISSION OF SPIKE BREWING, LLC IS PROHIBITED.	NAME	DATE	REV	DESCRIPTION OF CHANGE	
	DRAWN	A. Deasy	6/27/18	V3	Initial Drawing Release
	REVISED				
MATERIAL	TITLE: 50gal Kettle Vol/Height Template				
304SS	SIZE		DWG. NO.	REV	
FINISH	<b>A</b>			<b>V3</b>	
MIRROR FINISH	SCALE: 1:20		SHEET 5 OF 5		
DO NOT SCALE DRAWING					



2

1