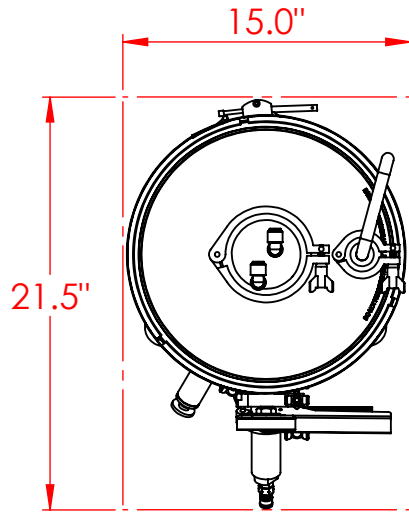
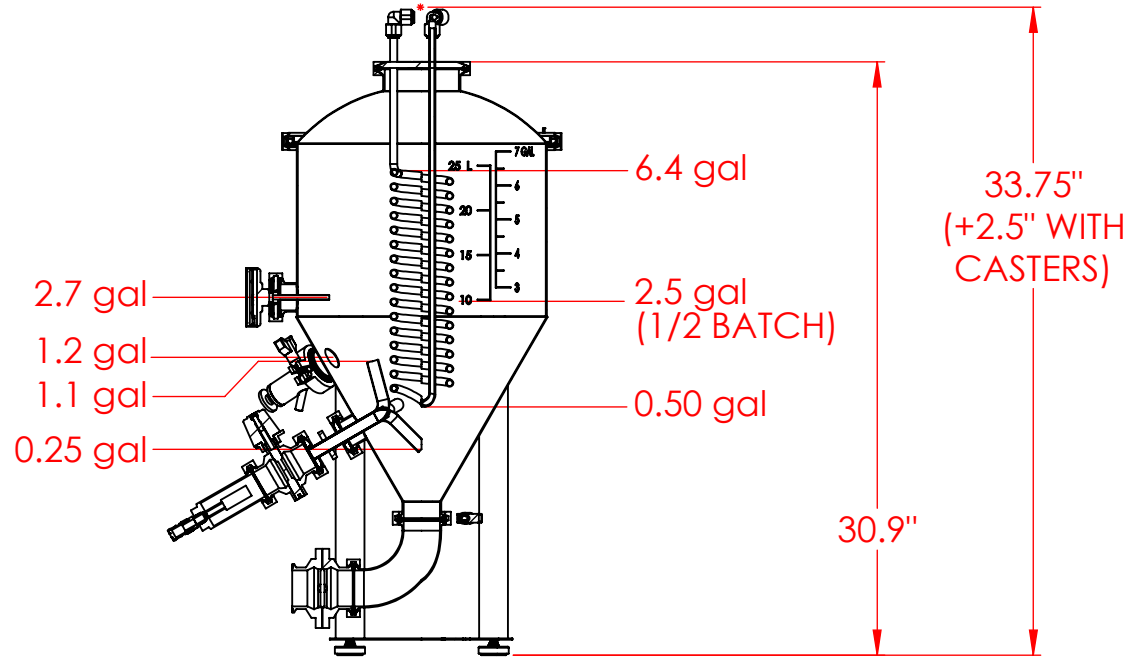


2

1



MAX OUTER DIMENSIONS
(WITH CARB STONE INSTALLED)



B

B

A

A

PROPRIETARY AND CONFIDENTIAL

THE INFORMATION CONTAINED IN THIS DRAWING IS THE SOLE PROPERTY OF SPIKE BREWING, LLC. ANY REPRODUCTION IN PART OR AS A WHOLE WITHOUT THE WRITTEN PERMISSION OF SPIKE BREWING, LLC IS PROHIBITED.

MATERIAL	304SS
FINISH	MIRROR POLISH
DO NOT SCALE DRAWING	

	NAME	DATE	REV	DESCRIPTION OF CHANGE
DRAWN	A. Deasy	7/8/18	V1	Initial Drawing Release
REVISED				
REVISED				

SPIKE BREWING



TITLE: **CF5 Conical Vol/Height Template**

SIZE	DWG. NO.	REV
A		V1

SCALE: 1:20 SHEET 1 OF 4

2

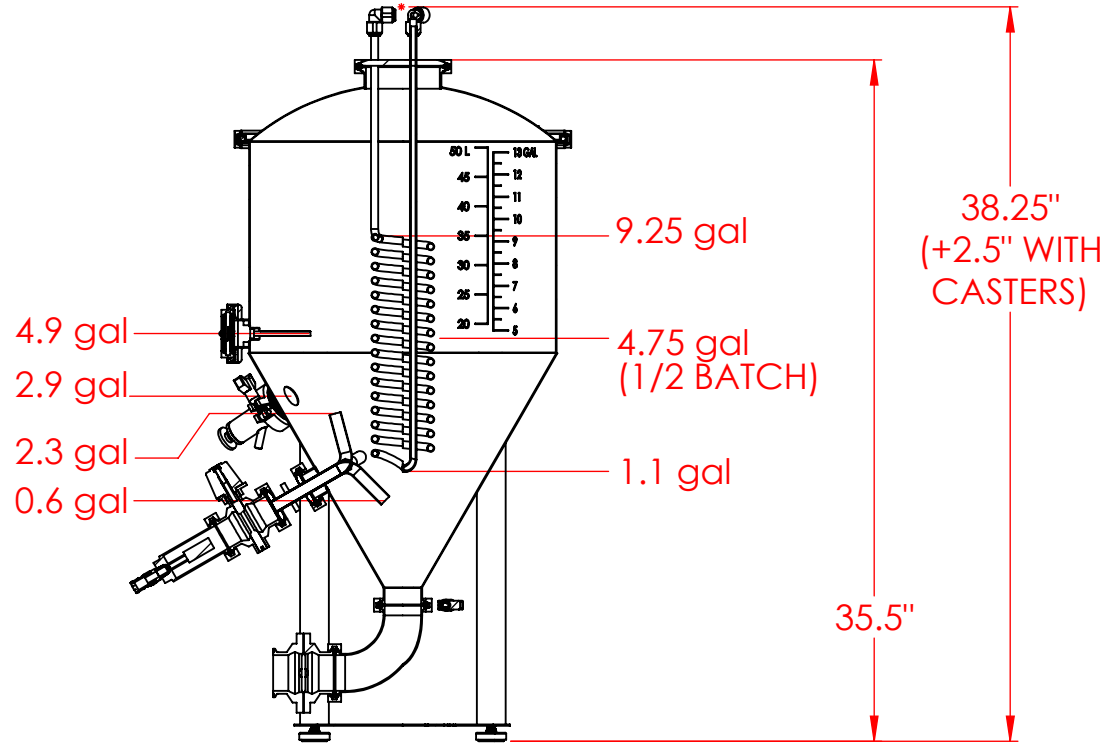
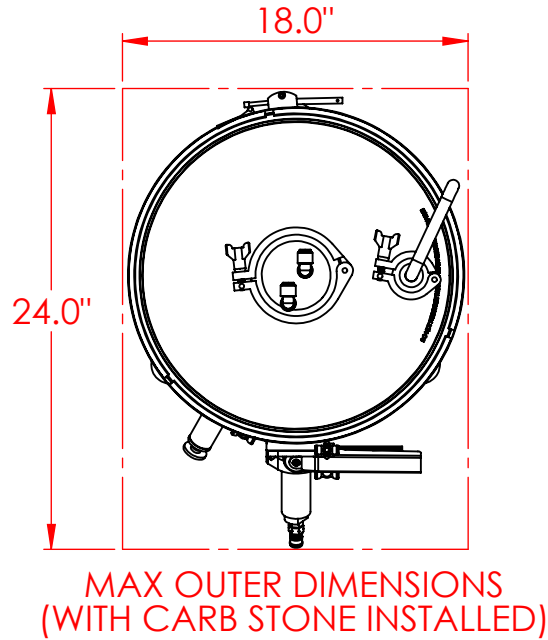
1

2

1

B

B



A

A

**PROPRIETARY AND
CONFIDENTIAL**

THE INFORMATION CONTAINED
IN THIS DRAWING IS THE SOLE
PROPERTY OF SPIKE BREWING,
LLC. ANY REPRODUCTION IN
PART OR AS A WHOLE WITHOUT
THE WRITTEN PERMISSION OF
SPIKE BREWING, LLC IS
PROHIBITED.

MATERIAL
304SS

FINISH
MIRROR POLISH

DO NOT SCALE DRAWING

	NAME	DATE	REV	DESCRIPTION OF CHANGE
DRAWN	A. Deasy	7/8/18	V1	Initial Drawing Release
REVISED				
REVISED				

SPIKE BREWING



TITLE: **CF10 Conical
Vol/Height Template**

SIZE	DWG. NO.	REV
A		V1

SCALE: 1:20

SHEET 2 OF 4

2

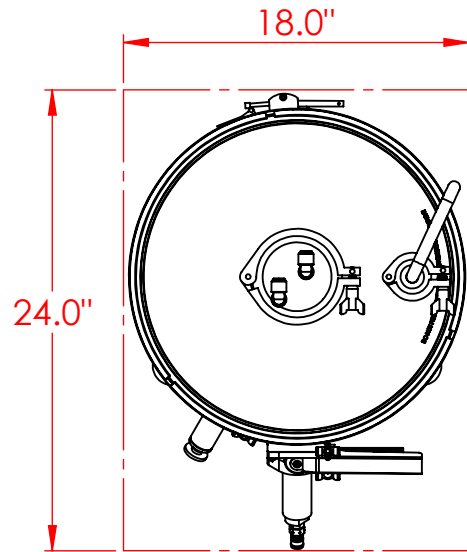
1

2

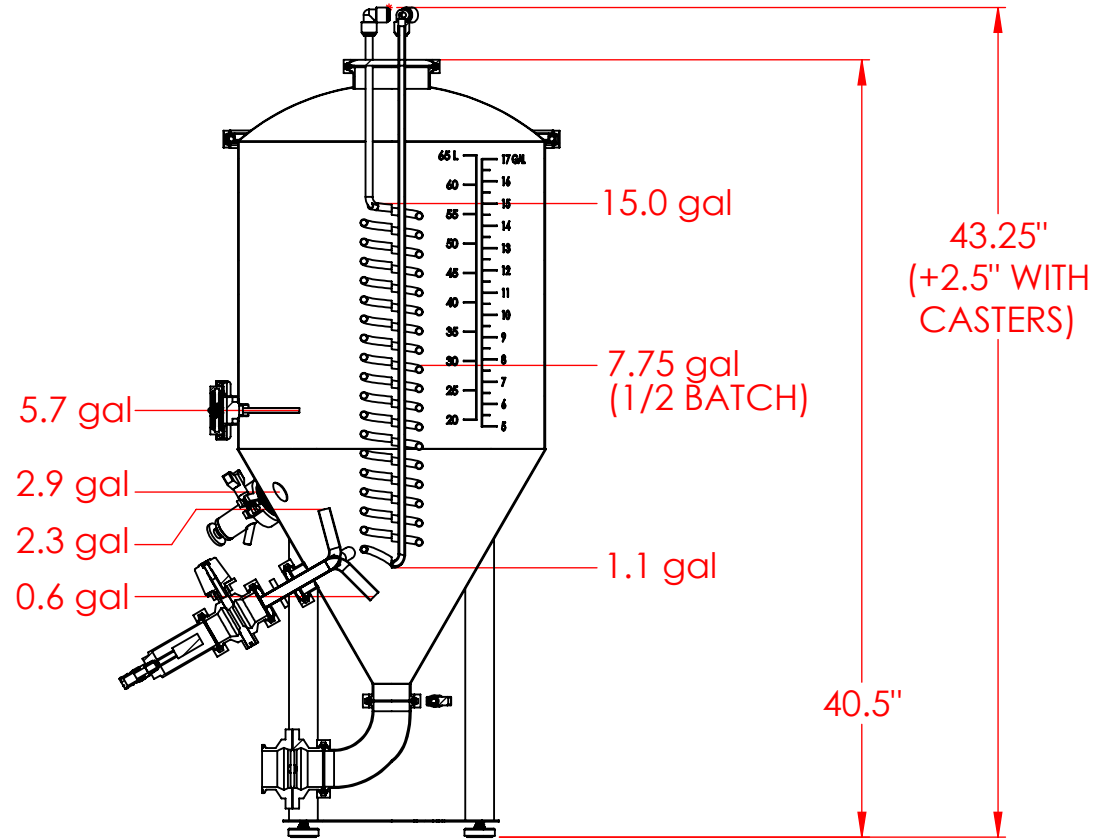
1

B

B



MAX OUTER DIMENSIONS
(WITH CARB STONE INSTALLED)



A

A

**PROPRIETARY AND
CONFIDENTIAL**

THE INFORMATION CONTAINED
IN THIS DRAWING IS THE SOLE
PROPERTY OF SPIKE BREWING,
LLC. ANY REPRODUCTION IN
PART OR AS A WHOLE WITHOUT
THE WRITTEN PERMISSION OF
SPIKE BREWING, LLC IS
PROHIBITED.

MATERIAL
304SS

FINISH
MIRROR POLISH

DO NOT SCALE DRAWING

	NAME	DATE	REV	DESCRIPTION OF CHANGE
DRAWN	A. Deasy	7/8/18	V1	Initial Drawing Release
REVISED				
REVISED				

SPIKE BREWING



TITLE: **CF15 Conical
Vol/Height Template**

SIZE DWG. NO. REV
A **V1**

SCALE: 1:20

SHEET 3 OF 4

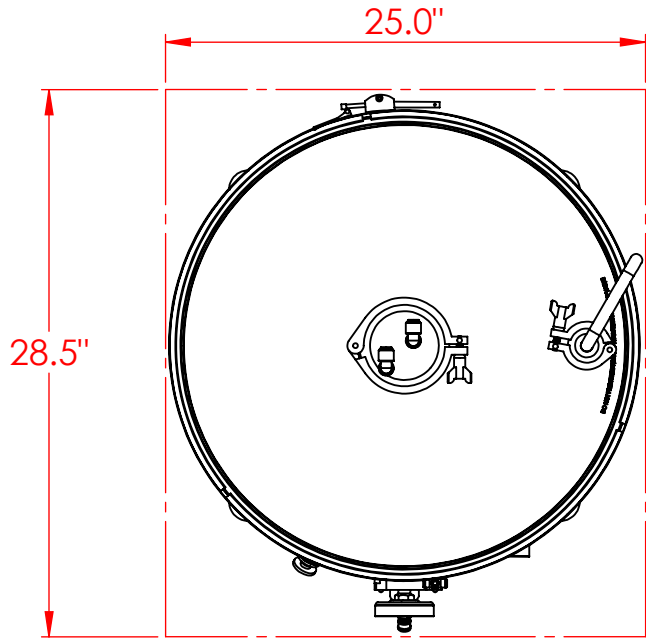
2

1

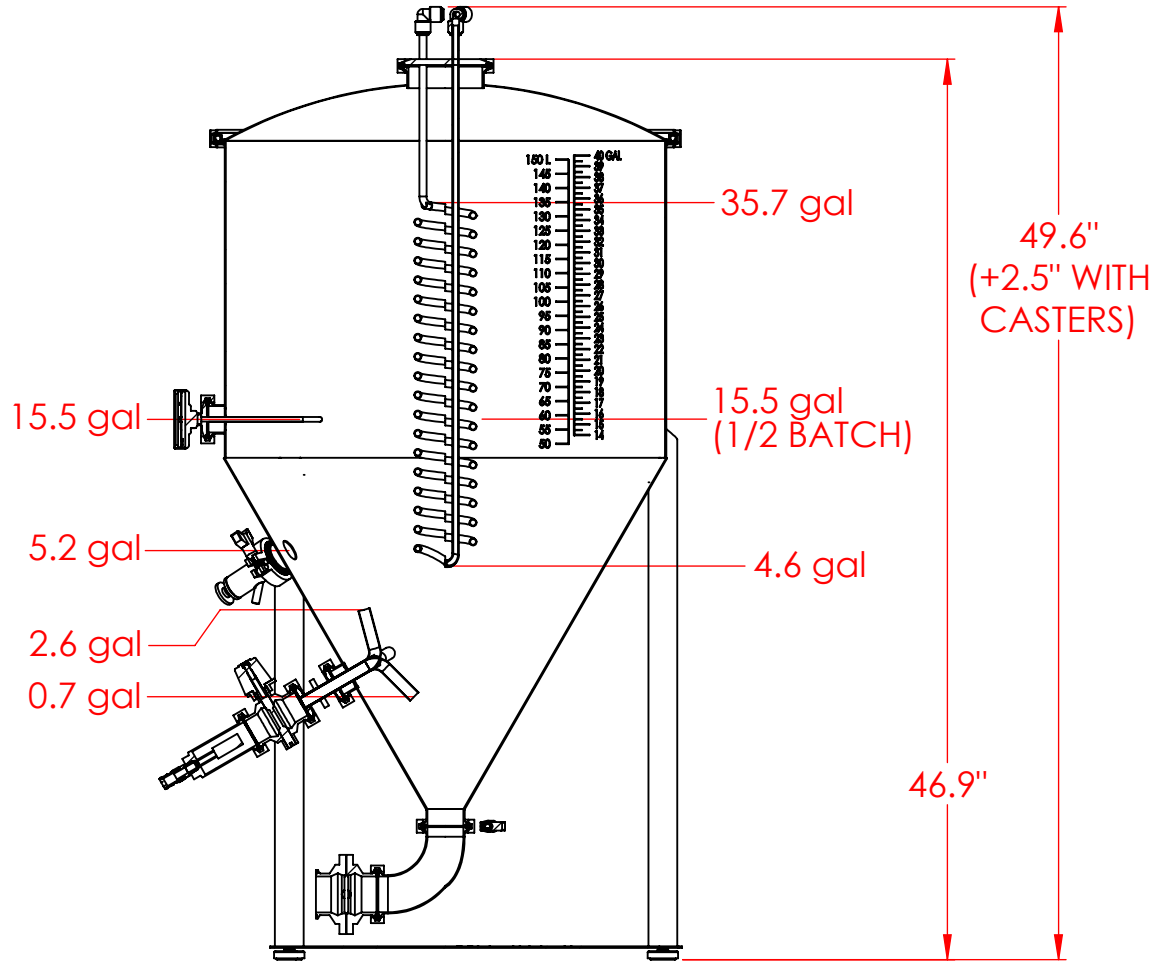
2

1

B



MAX OUTER DIMENSIONS
(WITH CARB STONE INSTALLED)



B

A

PROPRIETARY AND CONFIDENTIAL

THE INFORMATION CONTAINED IN THIS DRAWING IS THE SOLE PROPERTY OF SPIKE BREWING, LLC. ANY REPRODUCTION IN PART OR AS A WHOLE WITHOUT THE WRITTEN PERMISSION OF SPIKE BREWING, LLC IS PROHIBITED.

MATERIAL 304SS

FINISH MIRROR POLISH

DO NOT SCALE DRAWING

	NAME	DATE	REV	DESCRIPTION OF CHANGE
DRAWN	A. Deasy	7/8/18	V1	Initial Drawing Release
REVISED				
REVISED				

SPIKE BREWING



TITLE: **CF30 Conical Vol/Height Template**

SIZE DWG. NO.

A

REV

V1

SCALE: 1:20

SHEET 4 OF 4

A

2

1