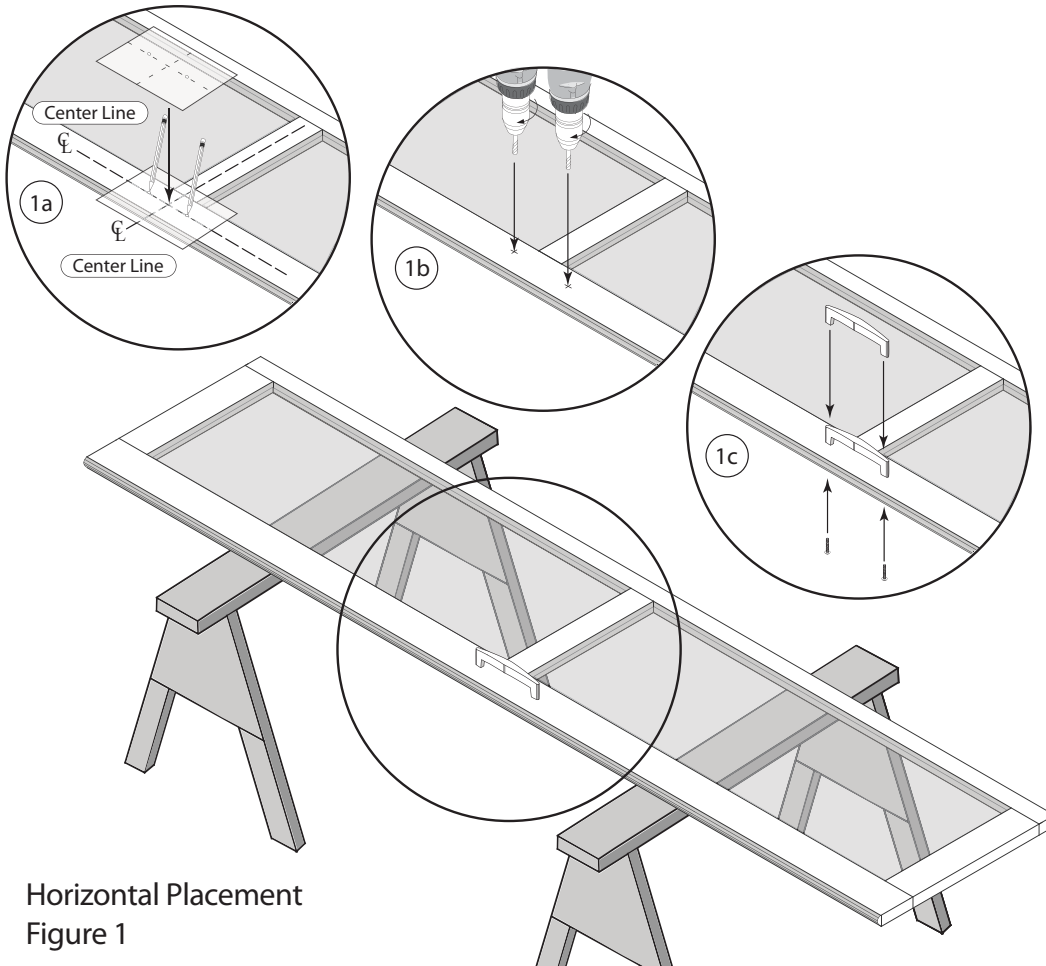


EXTERIOR LIFT HANDLE INSTALLATION INSTRUCTIONS

ASSA ABLOY Venice VI1000

ASSA ABLOY

ASSA ABLOY Entrance Systems
 165 Carriage Court,
 Winston Salem, NC 27105
www.assaabloyentrance.us
 844-232-4676



Horizontal Placement
 Figure 1

Exterior Handle Installation Instructions

Note: Handles may be mounted horizontally or vertically (Figure 1 or 2, respectively).

Note: For each handle, discard the (2) shorter screws included with the handle and use the (2) 2-1/4" long, #8 Phillips Head screws provided.

Step 1: Place the section laying face up on two padded saw horses.

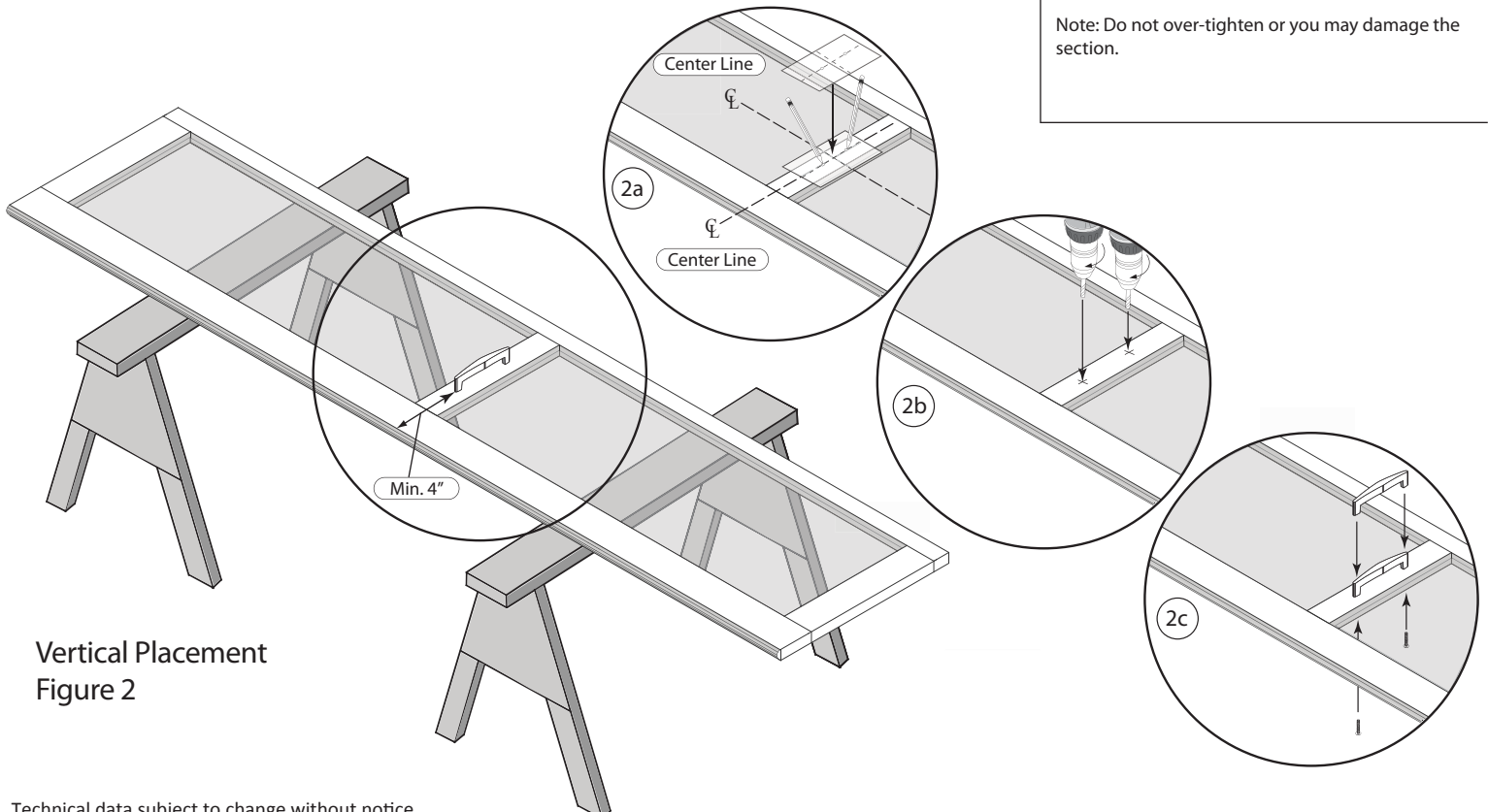
Step 2: Use a tape measure to find the vertical and horizontal centerline, and lightly mark with pencil. (Fig 1a & 2a).

Step 3: Using the template provided on the reverse side of these instructions, align the centerlines of the template with the two centerlines you have just marked (Fig 1a & 2a). Mark the two holes shown on the template.

Step 4: Drill two 3/16" holes through the section (Fig 1b & 2b).

Step 5: Bring the two screws provided, up from the bottom, through the two holes you have just drilled and screw into the handles with a Phillips head screwdriver (Fig 1c & 2c).

Note: Do not over-tighten or you may damage the section.



Vertical Placement
 Figure 2

Note:
If 5" dimension is
not correct, change
printer setting to
"NO SCALING" or
"1:1".

$\phi \frac{3}{16}$ "
Diameter
Holes
(2x)

CL

Line up with outside
edges of center stile
when locating vertical
handle.

Line up with outside
edges of center stile
when locating horizontal
handle.

Line up with top edge
of bottom rail when
locating horizontal
handle.

CL

5"

Exterior Lift Handle Template