

# ASSA ABLOY by Design

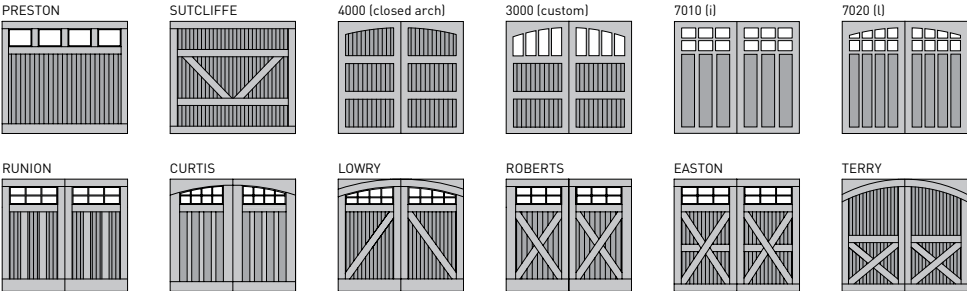
Custom Wood Carriage House Garage Doors



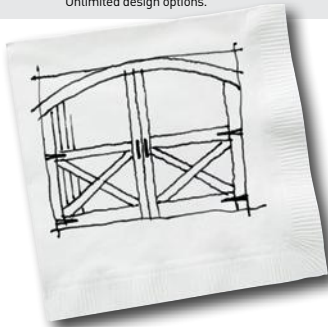
**Get the neighbors talking.** Made in America by skilled craftsmen, **ASSA ABLOY by Design** wood garage doors are handcrafted for reliable performance and long-lasting beauty. Choose from one of our popular carriage house styles or submit your own unique design. Pick from an array of wood options, windows and decorative hardware to create a truly unique, one-of-a-kind door. Get a gorgeous door, and a great conversation piece.



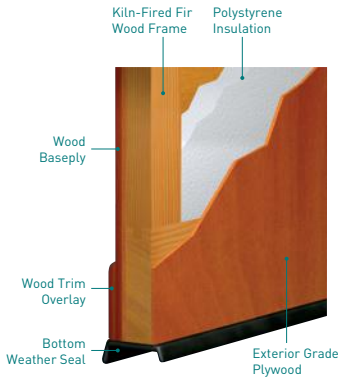
DESIGNS



Unlimited design options.



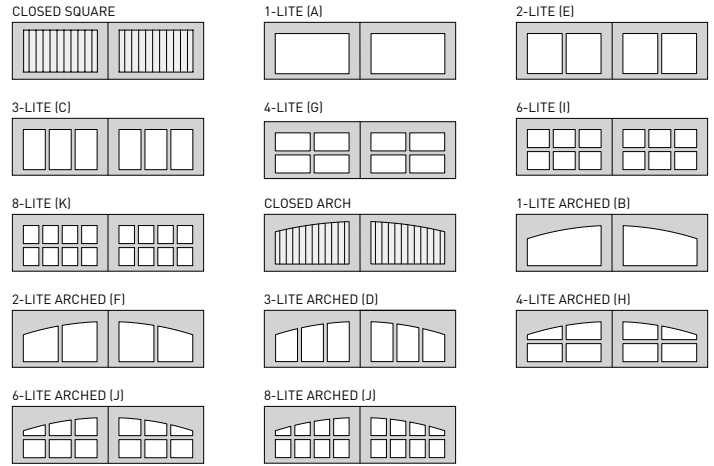
**Top Sections**



**WOOD DESIGNS**

**Wood + Insulation + Wood**

- Unlimited Custom Carriage House Designs
- Multiple Wood Options
- Paint or Stain Grade Wood
- Environmentally Safe Polystyrene Thermal Insulation
- Energy Efficient



**Specifications**

**ASSA ABLOY**

**PANEL DESIGNS**

Carriage House

**CONSTRUCTION\***

Wood + Insulation + Wood

**DOOR THICKNESS**

5/8" MDO Plywood (paint grade only)

1/2" Marine Grade Plywood

5/8" Incense Cedar

5/8" Clear Vertical Grain Cedar

5/8" Red Grandis

5/8" Mahogany

Other materials available upon request

**TRIM OVERLAY OPTIONS**

5/8" Moisture- and Rot-resistant

Extira Exterior Panel (paint grade only)

5/8" Incense Cedar

5/8" Clear Vertical Grain Cedar

5/8" Red Grandis

5/8" Mahogany

Other materials available upon request

**OPTIONAL WOOD DISTRESSING**

**SECTION HEIGHT OPTIONS**

18", 21", 28" or 32"

Polystyrene Insulation (1 3/8" thick)

R-VALUE

Bottom Weatherseal

**DECORATIVE WINDOW OPTIONS**

1/8" (0.32cm) Double Strength

Insulated

**OPTIONAL DECORATIVE HARDWARE**

Wind Load<sup>1</sup> Available\*

Fire Rated Doors Available<sup>2</sup>

Section Warranty<sup>3</sup>

**OFFERED**

Unlimited Designs

3" (7.6cm)

•

•

•

•

•

•

•

•

•

•

•

•

•

•

•

18", 21", 28" or 32"

•

9.0

•

•

•

•

•

•

•

1 Year

<sup>1</sup> It is your responsibility to make sure your garage door meets local building codes.

<sup>2</sup> Optional: Special-designed doors meet guidelines for CA Building Codes for use in Wildlife Urban Interface (WUI). Fire-rated doors with insulated and tempered glass windows available.

<sup>3</sup> For complete warranty details, visit amarr.com or contact your local Amarr dealer.

\* Optional: Wood-on-steel section construction is available. Some wind load pressures may require wood-on-steel section construction.

Doors are shipped natural. Priming is available for paint grade doors. All doors require finishing on all six (6) sides of each section within two days of receipt of door(s) and prior to installation. Visit amarr.com for finishing recommendations.

**Wood Choices**

Other types of wood available upon request.

Doors are shipped natural and require finishing upon receipt and prior to installation.

**INCENSE CEDAR**



**CLEAR VERTICAL GRAIN CEDAR**



**RED GRANDIS**



**MAHOGANY**



**WOOD DISTRESSING**



For a weathered effect, wirebrush distressing is available on any Amarr By Design door.

**Edge Profiles for Trim Overlay**

**OGEE EDGE**



**SQUARE EDGE**



**EASED EDGE**



**EASED EDGE DETAIL**



**Optional Decorative Hardware**

No matter what style of wood carriage house door you choose, we have beautiful decorative hardware to match your design. visit amarr.com or contact your local Amarr dealer.



**HARDWARE SPECIFICATIONS**

**TRACK:** 2" industrial grade galvanized .083 horizontal and vertical track. Standard lift Z5C-15" radius or 2LC-6" low headroom clearance. For doors over 650 lbs, 3" track.

**HINGES:** Up to 12': Single-end 11ga graduated galvanized. 12' and over: Double-end 11ga graduated galvanized.

**ROLLERS:** 2" nylon 10-ball bearing commercial rollers (short stem for up to 12'; long stem for 12' and over).

**STRUTS:** 3" galvanized struts

**COUNTER BALANCE:** 10,000 cycle torsion springs, cast aluminum cable drums, 1" diameter 11ga torsion tube. For doors over 650 lbs, solid core steel shaft and coupler if exceeding 151" in length.

**FASTENERS:** Cadmium plated fasteners (standard) for on-door hardware and securing tracks to jambs. All hinge fasteners are factory installed with concealed bolt heads (under the trim overlay).

**OPERATION:** Manual push-up. No lock assembly is supplied. Electric openers with 3/4 hp recommended for best possible operation.

Doors available in various heights and widths. Hardware specifications are consistent with doors not exceeding 18' wide and 10' high. Requirements escalate with door size and weight and have limitations. Contact your local Amarr dealer for specific details.

Door specifications and technical data subject to change without notice.

Sectional door products may be the subject of one or more U.S. and/or foreign, issued and/or pending, design and/or utility patents.

