

THE ELIASON® LWP-3 / DSP-3

Double-Acting Traffic Doors



LWP-3 / DSP-3 DOUBLE ACTING TRAFFIC DOORS

The Eliason® LWP-3 traffic door is a lightweight, economical solution where visual separation is desired between kitchen and dining areas, customer service and back room, or sales floor and stock room. The door body is constructed of a special alloy .063" thick tempered aluminum that creates a durable door with just the right amount of flexibility. The LWP-3 comes standard with a clear anodized finish. We also manufacture this door with a 16 gauge stainless steel door body (Specify Model DSP-3). Standard vision panels are 9" x 14" set in black rubber molding. Various window sizes and shapes, impact plates, push plates and other options are also available. LWP-3 and DSP-3 models operate on the Eliason Easy Swing Hinge®.



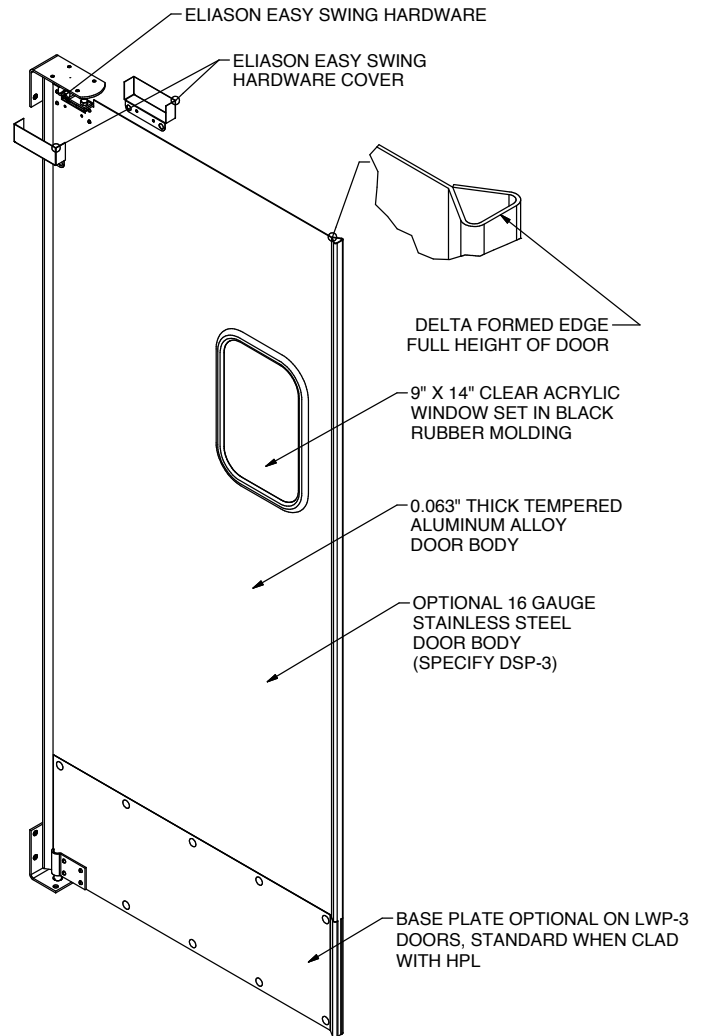
ELIASON®

Eliason® LWP-3 Doors

product features
& specifications

The Original and Still Reigning Lightweight Champ!

- The Eliason LWP-3 traffic door provides a durable, lightweight solution at an economical price where visual separation is desired in restaurant, grocery or retail applications.
- The LWP-3 is provided with a clear anodized finish.
- Eliason also manufactures this door with a 16 gauge stainless steel door body – Model DSP-3.
- LWP-3 and DSP-3 doors are virtually maintenance free and operate on the Eliason Easy Swing® Hinge System.



Specifications

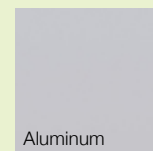
DOOR BODY: The door body is constructed of a special alloy .063" thick tempered aluminum. A clear anodized finish is standard.

FINISH: Standard anodized aluminium finish.

WINDOWS: 9" x 14" clear acrylic set in black rubber molding.

HINGES: Eliason Easy Swing® Hinge

Available Color:



Aluminum



Over 60 Years Strong • www.eliasoncorp.com • (800) 828-3655



9229 SHAVER ROAD, KALAMAZOO, MI 49024 • FAX (800) 828-3577