

OPERATIONAL WIND LOADED DOOR

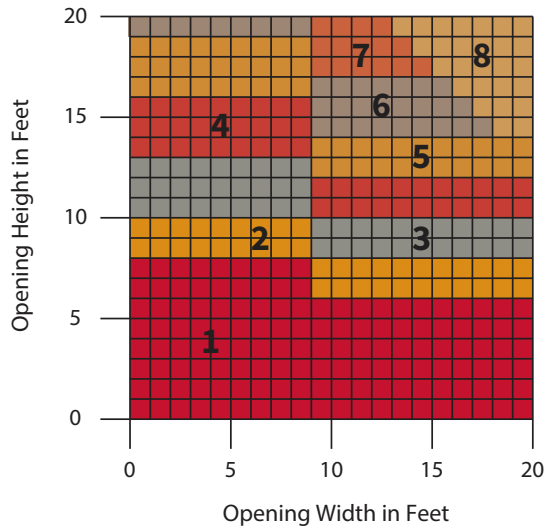
WIND-MASTER® SERVICE DOOR

Model ESD10W

MEASURE THE WIDTH AND HEIGHT OF THE DOOR OPENING

Wind-Master Service Doors meet an operational wind load of 20 PSF.

DOOR SIZE AND AREA



COMPONENT DIMENSIONS

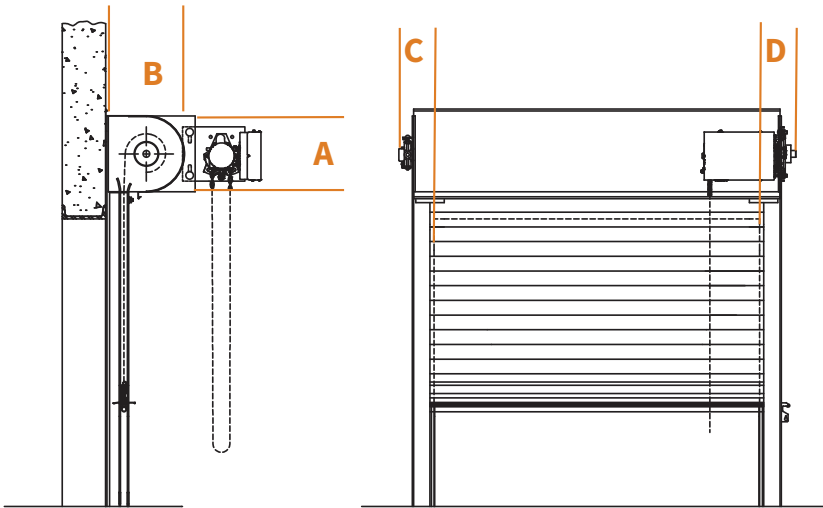
Reference the zone number to view component dimensions for motorized doors.

Zone	A	B	C	D
1	14	16	11	9
2	15	17	11	9
3	16	18	11	9
4	17	19	11	9
5	18	20	11	9
6	19	21	11	9
7	20	22	12	10
8	21	23	12	10

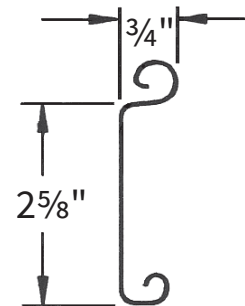
Dimensions in Inches

Dimensions provided are for a steel curtain, dimensions will differ for this model with a stainless steel curtain.

The dimensions featured on this sheet are provided as a guide. Please visit our website at www.cooksondoor.com/drawings to generate drawings on demand with exact dimensions.



CURTAIN SLAT DESIGN



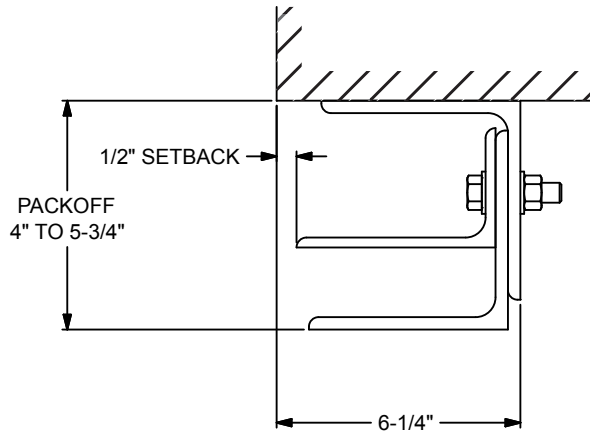
OPERATIONAL WIND LOADED **WIND-MASTER SERVICE DOOR Model ESD10W**

GUIDE CONSTRUCTION OPTIONS

FACE OF WALL

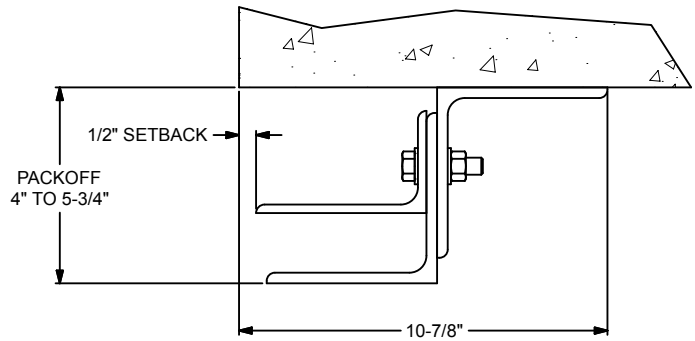
E GUIDE

Typically used with steel jamb



Z GUIDE

Typically used with masonry wall construction



The details and dimensions on this sheet are provided as a rough guide for planning purposes. Project specific details and dimensions are available by generating drawings from our website: www.cornelliron.com/drawings

CUSTOM-DESIGNED SOLUTIONS

Our experienced Architectural Design Support Team can customize our products to fit your specific application. Call 800.233.8366 ext. 4551 • architecturaldesignsupport@cornellcookson.com