

A full range of quality vacuum hose fittings to meet every hose or vacuum configuration possible. Fabricated to tight tolerances, they provide a better fit for easier installation, easier clamping, and fewer leaks.

Coupler Assemblies

Assembly includes male end, female end, clamp and gasket.

Part No.	Description
42577	4" (101 mm)
42578	6" (152 mm)
42579	8" (203 mm)



Weld-On Female Coupler

Female coupler — bare metal.

Part No.	Description
42580	4" (101 mm)
42581	6" (152 mm)
42582	8" (203 mm)
43594	10" (254 mm)
1280026	12" (305 mm)



Hose-End Female Coupler

Female coupler — galvanized.

Part No.	Description
42580A	4" (101 mm)
42581A	6" (152 mm)
42582A	8" (203 mm)
1280014	10" (254 mm)
43369	12" (305 mm)

Related Items

See Section E for Clamps.

See Page G-4 for Gaskets.

Weld-On Male Coupler

Male coupler — bare metal.

Part No.	Description
42583	4" (101 mm)
42584	6" (152 mm)
42585	8" (203 mm)
43595	10" (254 mm)
43370	12" (305 mm)



Hose-End Male Coupler

Male coupler — galvanized.

Part No.	Description
42583A	4" (101 mm)
42584A	6" (152 mm)
42585A	8" (203 mm)
1280009	10" (254 mm)
43370A	12" (305 mm)

Y-Adapter

Finish: galvanized

Part No.	Description
1280118	4" x 2" x 2" (101 mm x 51 mm x 51 mm)
1280044	6" x 4" x 4" (152 mm x 101 mm x 101 mm)
1280408	6" x 6" x 6" (152 mm x 152 mm x 152 mm)
1280119	8" x 4" x 4" (203 mm x 101 mm x 101 mm)
1280045	8" x 6" x 6" (203 mm x 152 mm x 152 mm)
1280357	8" x 8" x 8" (203 mm x 203 mm x 203 mm)



3-Way Adapter

Finish: galvanized

Part No.	Description
1280046	6" x 2" x 2" x 2" (152 mm x 51 mm x 51 mm x 51 mm)
1280604	6" x 4" x 4" x 4" (152 mm x 101 mm x 101 mm x 101 mm)
1280047	8" x 4" x 4" x 4" (203 mm x 101 mm x 101 mm x 101 mm)



90-Degree Elbow

Finish: galvanized

Part No.	Description
1280032	4" (101 mm)
1280033	6" (152 mm)
1280034	8" (203 mm)
1280035	10" (254 mm)
1280036	12" (305 mm)
1280988	6" (152 mm) double wall, bare steel, for high wear applications
1280990	8" (203 mm) double wall, bare steel, for high wear applications



45-Degree Elbow

Finish: galvanized

Part No.	Description
1280027	4" (101 mm)
1280028	6" (152 mm)
1280029	8" (203 mm)
1280030	10" (254 mm)
1280031	12" (305 mm)
1280987	6" (152 mm) double wall, bare steel, for high wear applications
1280989	8" (203 mm) double wall, bare steel, for high wear applications



Reducer (Galvanized)

Part No.	Description
1280042	6" x 4" (152 mm x 101 mm)
1280170	8" x 4" (203 mm x 101 mm)
1280043	8" x 6" (203 mm x 152 mm)
1280504	10" x 8" (254 mm x 203 mm)
1280965	8" x 6" (203 mm x 152 mm) double wall bare steel, for high wear applications
1280974	6" x 4" (152 mm x 101 mm) double wall, bare steel, for high wear applications
1280885	8" to 6" (203 mm x 152 mm) male on both ends
1280820	6" to 4" (152 mm x 101 mm) male on both ends



Reducer

Used on HXX units.

Part No.	Description
35096	8" x 6" (203 mm x 152 mm) flanged transition (Fig. 1)
34141	6" (152 mm) flanged to double 4" (101 mm) reducer
51770	8" (203 mm) flanged to 6" (152 mm) male coupler
50271	8" (203 mm) flanged to 6" (152 mm) female coupler



Fig. 1

Adapter Weldment

Part No.	Description
51188	8" (203 mm) flanged to 8" (203 mm) female (Fig. 2)
58795C	Hose end weldment, stl, 9 lg.
58795E	Hose end weldment, with wear plate

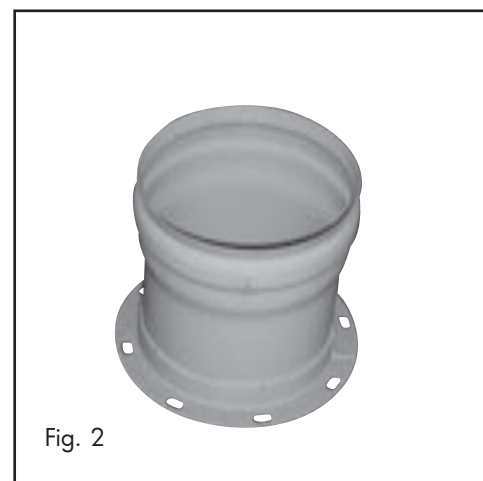


Fig. 2

Male-End Plug

Part No.	Description
60619	4" (101 mm)
50463	6" (152 mm)
50078	8" (203 mm)
1280004	10" (254 mm)
1280005	12" (305 mm)

Female-End Plug

Part No.	Description
1280234	4" (101 mm)
1280233	6" (152 mm)
1280212	8" (203 mm)



Tee-Adapter

Part No.	Description
1280789	4" x 4" x 4" (101 mm x 101 mm x 101 mm)
1280712	8" x 8" x 4" (203 mm x 203 mm x 101 mm)
1281026	6" M x 6" M x 6" F (152 mm x 152 mm x 152 mm)
1280451	6" F x 6" F x 6" M (152 mm x 152 mm x 152 mm)
1280516	8" F x 8" F x 8" M (203 mm x 203 mm x 203 mm)
1280768	8" M x 8" M x 8" F (203 mm x 203 mm x 203 mm)
1280376	6" M x 6" M x 6" F (152 mm x 152 mm x 152 mm)



Wet Ring

Reduces dust/carry-over and temperature of heated particulate by water injected into the fitting.

Part No.	Description
1280379	6" (152 mm), wet ring
1280378	8" (203 mm), wet ring

Water Ring

Part No.	Description
29314	Water ring weldment (HXX)



In-Line Vacuum Relief Valve

Always used between the last section of hose and the nozzle to break the vacuum during emergency situations and normal shut-down.

Part No.	Description
1280818	4" (101 mm) with male and female ends
1280619	6" (152 mm) with male and female ends
1280760	8" (203 mm) with male and female ends
48457	8" (203 mm) with flanged ends
1280891	4" (101 mm) with camlock ends
1280892	6" (152 mm) with camlock ends



Camlock Dust Cap

Aluminum (Fig. 1)

Part No.	Description
46247B	2" (51 mm)
46247D	2-1/2" (63.5 mm)
46247A	3" (76 mm)
1280154	4" (101 mm)
46229	6" (152 mm)
1280157	8" (203 mm)

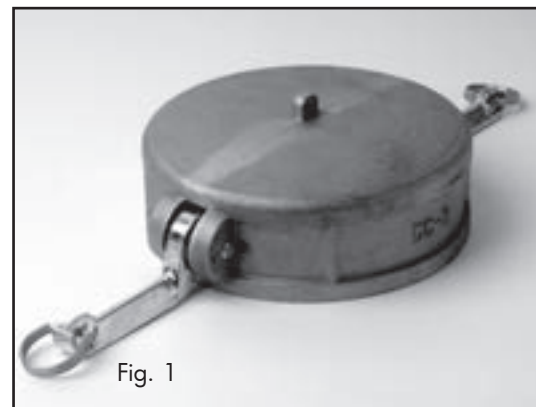


Fig. 1

Camlock Dust Plug

Aluminum (Fig. 2)

Part No.	Description
1280158	2" (51 mm)
1280159	2-1/2" (63.5 mm)
1280160	3" (76 mm)
1280161	4" (101 mm)
1280163	6" (152 mm)
1280164	8" (203 mm)



Fig. 2

Camlock Male-to-Female NPT

Aluminum (Fig. 1)

Part No.	Description
1280104	2" (51 mm)
46245D	2-1/2" (63.5 mm)
1280106	3" (76 mm)
1280107	4" (101 mm)
46245A	6" (152 mm)
1280110	8" (203 mm)



Camlock Female-to-Male NPT

Aluminum (Fig. 2)

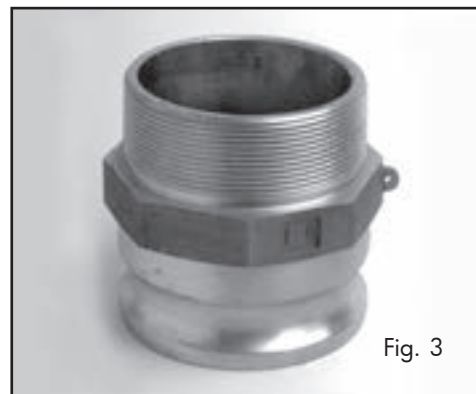
Part No.	Description
1280111	2" (51 mm)
1280112	2-1/2" (63.5 mm)
1280113	3" (76 mm)
1280114	4" (101 mm)
1280115	6" (152 mm)
1280123	8" (203 mm)



Camlock Male-to-Male NPT

Aluminum (Fig. 3)

Part No.	Description
1280144	2" (51 mm)
46549D	2-1/2" (63.5 mm)
1280146	3" (76 mm)
46858	4" (101 mm)
46228	6" (152 mm)
1280150	8" (203 mm)



Camlock Female-to-Female NPT

Aluminum (Fig. 1)

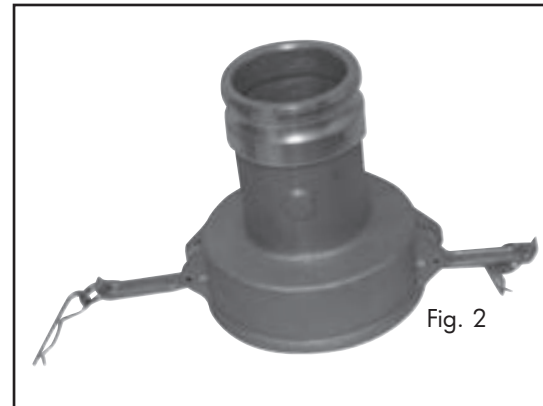
Part No.	Description
1280131	2" (51 mm)
1280132	2-1/2" (63.5 mm)
1280133	3" (76 mm)
1280134	4" (101 mm)
1280135	6" (152 mm)
1280136	8" (203 mm)



Camlock Female-to-Male Reducer

Aluminum (Fig. 2)

Part No.	Description
1280775	6" x 4" (152 mm x 101 mm)
1280896	6" x 3" (152 mm x 76 mm)
1280897	4" x 3" (101 mm x 76 mm)
1281012	8" x 4" (203 mm x 101 mm)



Camlock Hose Shank - Female

Aluminum (Fig. 3)

Part No.	Description
1280124	2" (51 mm) Female Adapter
1280125	2-1/2" (63.5 mm) Female Adapter
1280126	3" (76 mm) Female Adapter
46248	4" (101 mm) Female Adapter
46227	6" (152 mm) Female Adapter
1280130	8" (203 mm) Female Adapter



Camlock Hose Shank - Male

Aluminum (Fig. 4)

Part No.	Description
1280137	2" (51 mm) Male Adapter
46248D	2-1/2" (63.5 mm) Male Adapter
1280139	3" (76 mm) Male Adapter
1280140	4" (101 mm) Male Adapter
46227A	6" (152 mm) Male Adapter
1280143	8" (203 mm) Male Adapter

