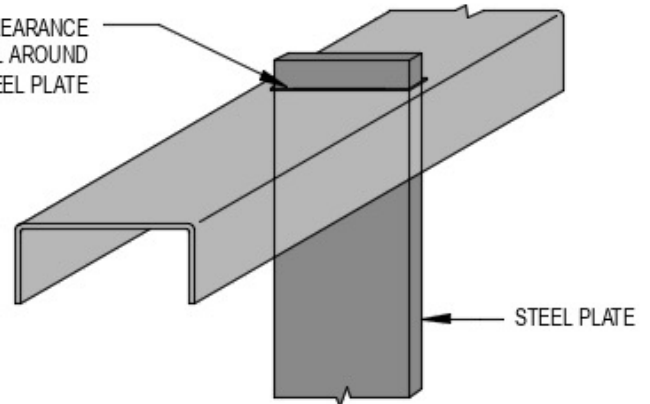


1/8" CLEARANCE ALL AROUND STEEL PLATE



* Stiffener should mount to sill. Allow 1/8" clearance for stiffener and channel. Use for design concept only.

NOTE: Expansion material and panel anchors to be provided on both sides of the steel plate.

NOTE: Panels with an expansion joint stiffener incorporating a vertical hidden plate should be limited to a maximum 10' in height.

(SGBX-D033B) INTERMEDIATE VERTICAL SUPPORT IN MULTIPLE HORIZONTAL PANELS

Because GBA Architectural Products + Services has no control over installation, workmanship, accessory materials or conditions of application, no representation or warranty, expressed or implied, either as to MERCHANTABILITY OR FITNESS FOR A PARTICULAR PURPOSE is made as to the performance or results of an installation of this product.

GBA Architectural Products + Services
1213 Medina Rd
Medina, OH 44256

sales@gbaproducts.com
877-280-7700 OFFICE

HORIZONTAL SHELF ANGLE
SGBX-D033B



D033B

MAR 2021