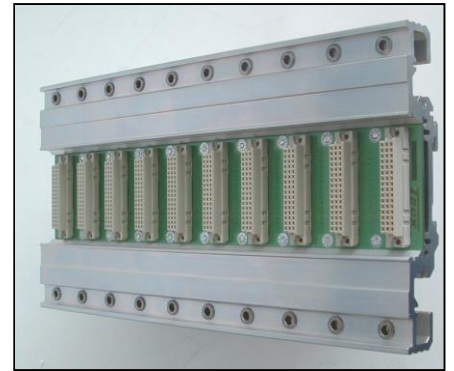


# TBOX MS-RACK

Version 3.07

## TBOX MS-RACK

- MS-RACK1: rack 1 slot
- MS-RACK3: rack 3 slots
- MS-RACK5: rack 5 slots
- MS-RACK10: rack 10 slots
- MS-RACK15: rack 15 slots
- MS-RACK20: rack 20 slots



## Technical Specifications

---

### General

Mode	Passive Bus
Consumption	<b>No electronic component</b>
Speed	Max. 1 Mbytes/s
PCB	6 layers

### Approvals

CE, UL, CSA, C-Tick

---

---

### **RACK1 (No Bus)**

---

Dimension w/o cards	Height x Length x Depth: 150 x 38 x 30 mm
Weight	63 g

---

### **RACK3**

---

Dimension w/o cards	Height x Length x Depth: <b>150 x 95 x 30</b> mm
Weight	360 g

---

### **RACK5**

---

Dimension w/o cards	Height x Length x Depth: <b>150 x 156 x 30</b> mm
Weight	600 g

---

### **RACK10**

---

Dimension w/o cards	Height x Length x Depth: <b>150 x 300 x 30</b> mm
Weight	1200 g

---

### **RACK15**

---

Dimension w/o cards	Height x Length x Depth: <b>150 x 450 x 30</b> mm
Weight	1800 g

---

### **RACK20**

---

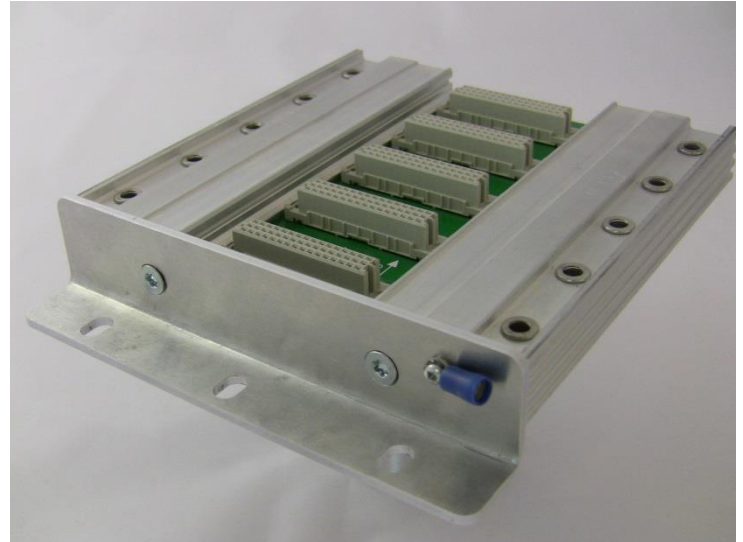
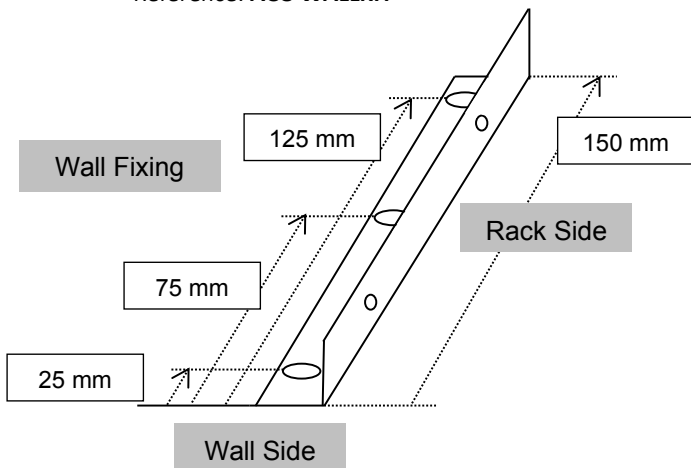
Dimension w/o cards	Height x Length x Depth: <b>150 x 590 x 30</b> mm
Weight	2400 g

---

## Installation on the rack on a wall

Squares with three wall fixings.

Reference: **ACC-WALKKIT**



The kit is composed of 2 squares and 4 screws. The squares are fixed at the sides of the rack.  
The black plastic sides must first be removed as well as the GND screw. The latter must be screwed to the square after fixing.

## Installation of the Rack in a 19'' cabinet

The **Rack 15 slots** can be mounted directly in the 19'' cabinet.

The height of the Rack is 150 mm and adapted for a 4U cabinet (177.8 mm).  
You have then enough room for cabling the Cards.

You need two items:

**MS-RACK15**

**MS-RACKKIT (2 x sides)**

