

eCC3800E-H110 Tech-Note

6th Generation Intel Core i7/i5/i3 LGA Fanless system with H110 chipset

- Support 6th generation Intel® Core™ i7/i5/i3 LGA socket type embedded processor
- Intel® H110 PCH
- Support 1 x 2.5" SATA HDD
- 1 x DVI-D, 1 x HDMI with independent display support
- Two Intel® GbE LAN ports; support WoL, teaming and PXE
- 1 x SIM card socket
- 4 x USB 3.0, 2 x USB 2.0, 2 x RS232/422/485 with auto flow control
- 2 x Internal mini-PCIe socket support optional Wi-Fi/3.5G/mSATA/Fieldbus
- Support +9V to 30VDC input; ATX power mode
- one PCIe x4 expansions
- No RAID support function



Highlights

Integrated with 6th generation Intel® Core™ i7/i5/i3 processors, eCC3800E-H110 series is the fanless PC designed for industrial applications which demand high CPU and graphics performance.

eCC3800E-H110 supports up to 32G DDR4 memory and have several options on storage devices like M.2, HDD, mSATA or SSD. eCC3800E-H110 supports wide range of DC input from +9V to 30V DC input, and can be operated in an extended operating temperature range between -5 to 55 Celsius degree.

For extended module availability, eCC3800E-H110 also designed two internal mini-PCIe sockets to support IoT applications (integrate with optional GbE LAN, Wi-Fi, 3.5G module) and common communication applications (integrate with optional GPIO, RS232/422/485 module).

eCC3800E-H110 Technical Data



CPU Support

- Support 6th generation Intel® Core™ i7/i5/i3 LGA socket type embedded processor
- Core™ i7-6700TE, QuadCore, 2.4GHz, 8M Cache
- Core™ i5-6500TE, QuadCore, 2.3GHz, 6M Cache
- Core™ i3-6100TE, DualCore, 2.7GHz, 4M Cache
- Intel® Pentium® Processor G4400TE 2.4GHz, 3MCache
- Intel® Celeron® Processor G3900TE 2.3GHz, 2MCache
- Turbo-boost disabled by default

Main Memory

- 2 x DDR4 SO-DIMM socket, support up to 32GB with unbuffered and non-ECC

Display Option

- Two independent display - HDMI+DVI-D
- Front I/O Interface Status LEDs
- 2 x LAN active LEDs
- 2 x GPO status/COM1/2 TX/RX LEDs
- 1 x HDD access LEDs

Front I/O Interface

- 1 x ATX power on/o switch
- 2 x USB 2.0 ports (500mA per each)
- 1 x Line-out and
- 1 x Mic-in
- 2 x Antenna holes
- 1 x SIM card holder

Rear I/O Interface

- 2x DB9 for COM1 & COM2
- COM1:RS232/RS422/RS485
- COM2:RS232/RS422/RS485
- 4 x USB 3.0 ports (900mA per each)

- 1 x DVI-D port
- 1 x HDMI port
- 2 x Intel® I210IT GbE LAN ports; support WoL, teaming and PXE
- 1 x 2-pin remote power on/o switch
- +9V to 30V DC input
- Storage Device
- 1 x 2.5" HDD (SATA 3.0)
- 1 x mSATA (internal mini-PCIe socket)

Expansion Slot

- One PCIe x4 expansion slot
- Add-on card length: 169mm max.
- Power consumption: 10W/slot max.
- 2 x Internal mini-PCIe socket support optional Wi-Fi/3.5G/mSATA/Fieldbus

Power Requirements

- AT/ATX power mode (default: ATX power mode)
- Power input: +9 to +30V DC
- Power adapter: optional AC to DC power adapter (24V DC, 120W)

Dimensions

- 215 mm (W) x 272mm (D) x 93mm (H) without wall mount bracket (8.5" x 10.7" x 3.7")

Construction

- Aluminum and metal chassis with fanless design

Environment

- Operating temperature: Ambient with air flow: -5°C to 55°C (according to IEC60068-2-1, IEC60068-2-2, IEC60068-2-14)
- Storage temperature: -20°C to 85°C
- Relative humidity: 10% to 93% (non-condensing)
- Shock protection:
 - HDD: 20G, half sine, 11ms, IEC60068-2-27
- Vibration protection with HDD condition:
 - Random: 0.5Grms@5~500Hz, IEC60068-2-64
 - Sinusoidal: 0.5Grms@5~500Hz, IEC60068-2-6

Certifications

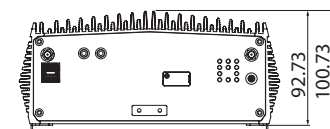
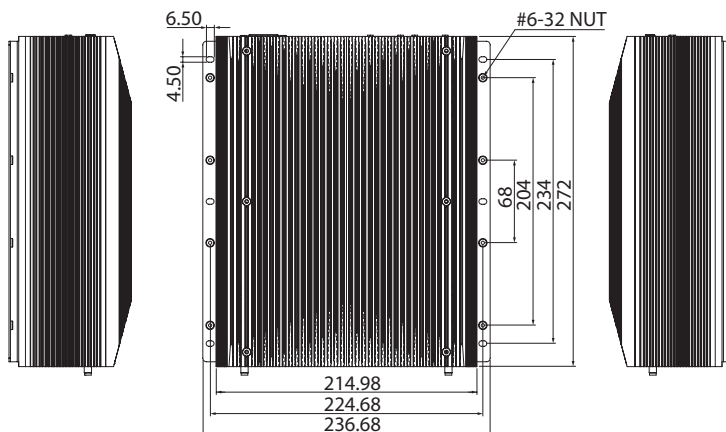
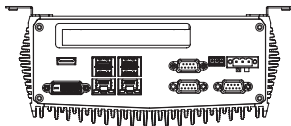
- CE approval
- EN61000-6-2
- EN61000-6-4
- FCC Class A
- UL

OS Support Lists

- Windows 7 PRO, 32bit/64bit
- Windows Embedded Standard 7, 32bit/64bit
- Windows 10 IoT, 32bit/64bit

Weight Information

- Gross weight: 5.9kg
- Net weight: 4.5kg



Ordering Information

Model	Part Number	Description
eCC3800EH110	+70ECC3800EH110	6th Generation Intel Core i7/i5/i3 LGA Fanless system with H110 chipset