



SPEC SHEET

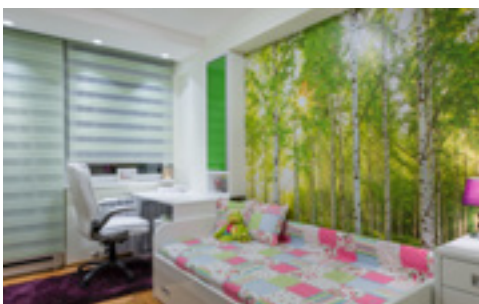
FOTOBAs SERIES

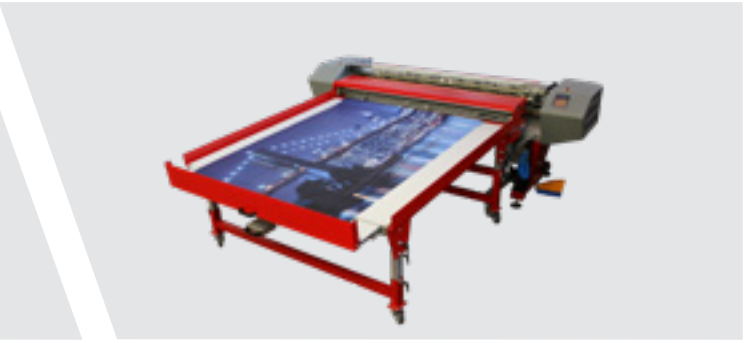
Wide Format roll to roll cutting solutions

Save time and money by integrating finishing solutions into your workflow

Fotoba roll to roll cutting solutions have been built on over 30 years of X/Y cutting technology. Fotoba is a leading manufacturer of X/Y movement and have brought the industry their expertise to help Print Service Providers (PSP's) be more profitable. As printer technology advances with a wide application range and faster production print time, the finishing part of print production must meet those demands. Canon Solutions America can provide a seamless print and cut workflow for your business. Whether there is a need for inline or offline cutting solutions, Canon Solutions America can consult with you to build the cutting solution that meets your needs.

Common Applications for Fotoba X/YCutters





Automated Inline Print, Cut & Stack Solution

Combine the Océ Colorado 1640 or 1650 printers with a Fotoba Dreamcut XLD 170 and ST 170 Exit Stacker for a complete print, cut and stack solution. Below are the value propositions for print service providers (PSP's) of this premium system

- Increase production, reduce cost, faster to market solution
- Seamless print and cut – no waiting
- Self loading printer and cutter
- Unattended printing & cutting
- Perfect for same size prints
- Finished prints are ready for fulfillment
- First print in, first print out process
- Wide range of medias can be printed and cut (up to 40 mil thick)

Print & Cut Process

1. Load the media in the printer
2. Set the rotary blades to the registration marks
3. Pick up the finished prints

Optional Accessories

- Double slitters (Due to the number of cuts across web width, a quantity of slitters may be required).

Offline Cut & Stack Solution

The Fotoba Dreamcut XLD 170 and ST 170 Exit Stacker are coupled to provide a cut and stack solution. Below are the features of this system.

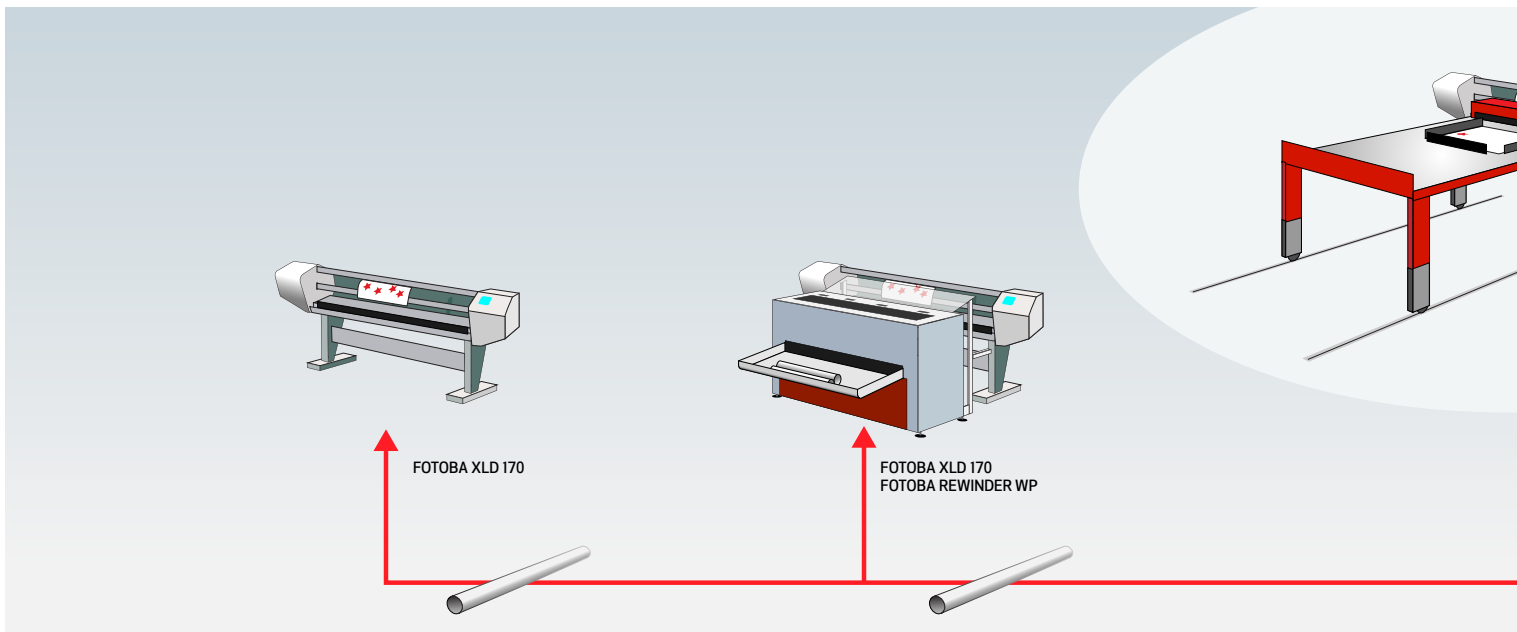
- Multiple printers can be used to feed to the production cutter
- Automated cut & stack solution
- Allows for flexibility & scheduling in printing and cutting
- Cutter can be loaded anytime
- No rewinding required
- Best solution for print runs of various sizes
- First image printed is last image cut and stacked
- Wide variety of media can be printed and cut (up to 40 mil thick)

Print & Cut Process

1. Print the graphics
2. Cut the printed graphics
3. Pick up the finished prints

Optional Accessories

- Double slitters (Due to the number of cuts across web width, a quantity of slitters may be required).





Automated Cut Rewind Solution for Wall Coverings

A perfect solution for wall covering panel jobs requiring tight panel registration. The Fotoba Dreamcut XLD 170WP cuts the panels on all four sides and transports the print into the rewinder. The Fotoba Coreless Rewinder completes the process by winding the cut panels into coreless rolls that can be sent out for installation.

The Dreamcut XLD 170WP cutter is very accurate when making butt joint panel jobs.

- Océ Colorado printer prints the Fotoba registration cut marks
- The cutter trims four sides simultaneously (slitting and sheeting)
- Coreless rewinder rolls up cut panels for on-site installation
- Accurate panel to panel matching for projects with graphic designs
- Dreamcut XLD 170WP slits the panels for accurate butt joint installation with a tolerance of 0.068 mm

Cut & Rewind Process

1. Load the media onto the cutter
2. Set the rotary blades to the registration marks
3. Pick up the finished prints

Optional Accessories

- Double slitters (Due to the number of cuts across web width, a quantity of slitters may be required).

Standalone Fotoba XLD 1070

The standalone Fotoba Dreamcut XLD 170 cutter allows for maximum workflow versatility which supports multiple printers.

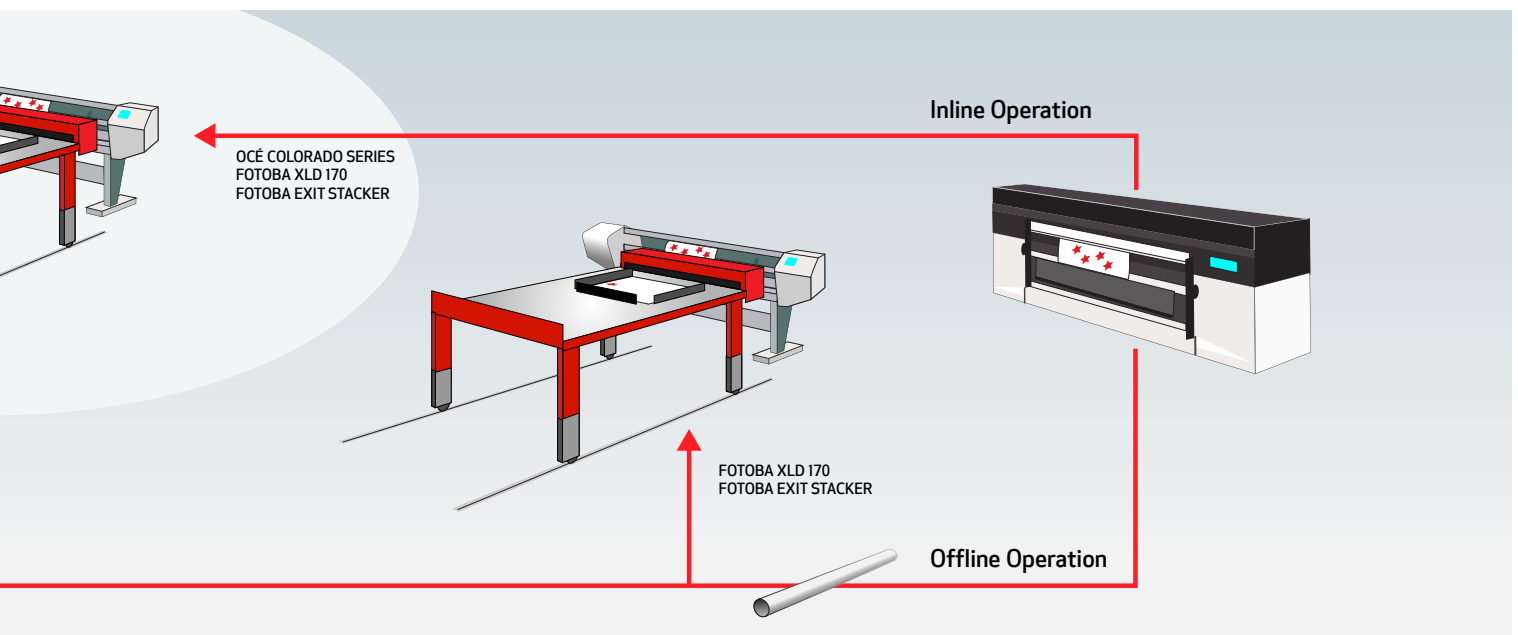
- Cost effective cutting solution
- Cutter can be loaded at anytime
- Multiple printers can be used to feed the production cutter
- Allows for flexibility and scheduling in print and cut workflow
- Great solution for various size print runs and for limited floor space
- Optional stacking tray available
- Wide variety of media can be printed and cut (up to 40 mil thick)
- Works with a variety of wide format printers.

Print & Cut Process

1. Print the graphics
2. Cut the printed graphics
3. Pick up the finished prints

Optional Accessories

- Stacking tray
- Double slitters (Due to the number of cuts across web width, a quantity of slitters may be required).



WHY CANON SOLUTIONS AMERICA.

Canon Solutions America recommends forward-thinking strategies to help achieve the highest levels of information management efficiency for your unique business needs. Using superior technology and innovative services, we then design, implement, and track solutions that help improve information flow throughout your organization while considering the environment, helping to result in greater productivity and reduced costs.

As a company that is dedicated to your needs, we support our solutions with highly skilled professionals and advanced diagnostic systems to maintain peak performance. And with ongoing consultation, we can further your document management capabilities to help ensure the highest level of satisfaction and productivity.



CANON SOLUTIONS AMERICA

Large Format Solutions

100 Park Blvd., Itasca, IL 60143

1-800-842-4534 | 1-630-250-6551

us.info@csa.canon.com CSA.CANON.COM

Canon is a registered trademark of Canon Inc. in the United States and elsewhere. Océ is a registered trademark of Océ-Technologies B.V. in the United States and elsewhere. All other referenced product names and marks are trademarks of their respective owners and are hereby acknowledged. Neither Canon Inc., Canon U.S.A., Inc., nor Canon Solutions America, Inc. represents or warrants any third-party product or feature referenced hereunder. Specifications and availability subject to change without notice. Not responsible for typographical errors. All printer output is simulated.

©2019 Canon Solutions America, Inc. All rights reserved.

ODGS-1405 DS 9/18/19 CC/PDF