



19000580A0

OWNER'S MANUAL

BBQ PRO 3 BURNER L.P. GAS GRILL WITH SIDE BURNER

Product code: 20148/0-08675969-3
UPC code: 044376284503
BBQ PRO model number: 122.20148511

Date of Purchase: ___/___/___

Table of Contents

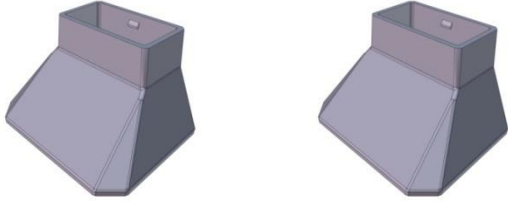
Índice

Package Content List.....	3-5
Preparation	6-7
Assembly Instruction	8-28

Lista de contenido del paquete..	3-5
Preparacion	6-7
Instrucciones de montaje	8-28

Package parts List
Lista de contenido del paquete

1 (x2)



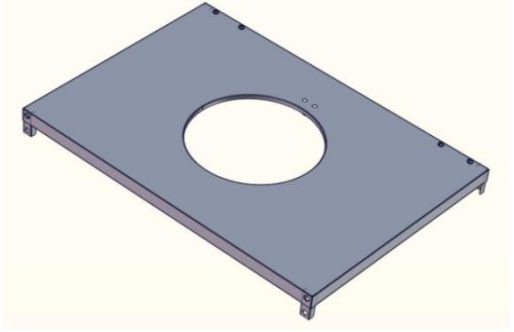
2



3



4



5



6



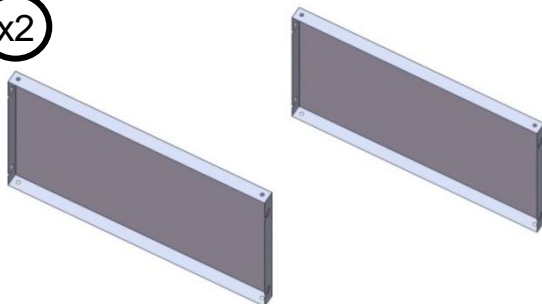
7



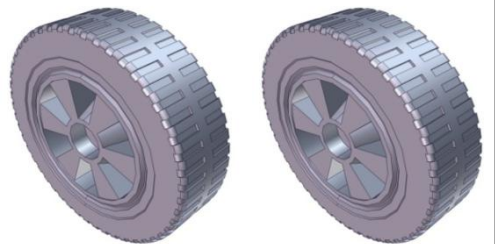
8 (x2)



9 (x2)

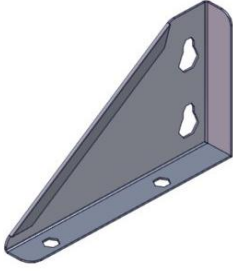


10 (x2)

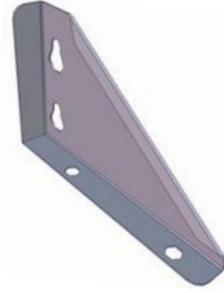


Package parts List
Lista de contenido del paquete

11



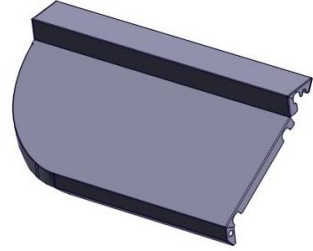
12



13



14



15



16



17



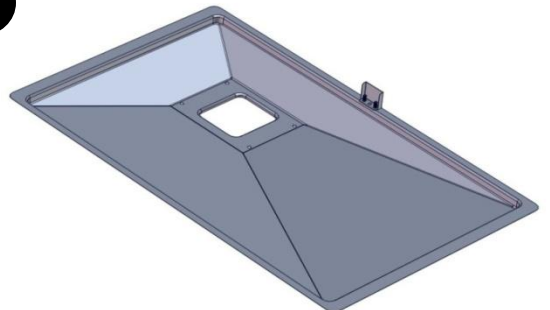
18



19



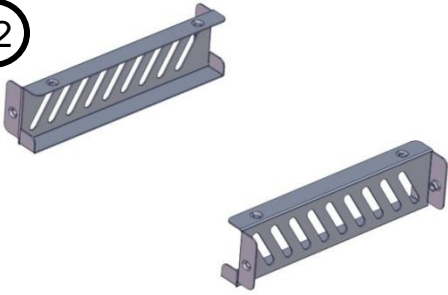
20



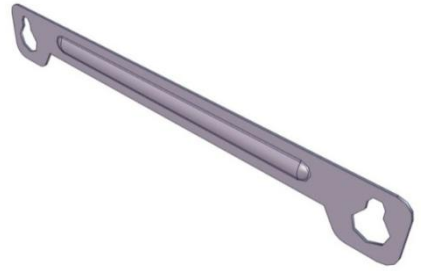
Package parts List
Lista de contenido del paquete

21

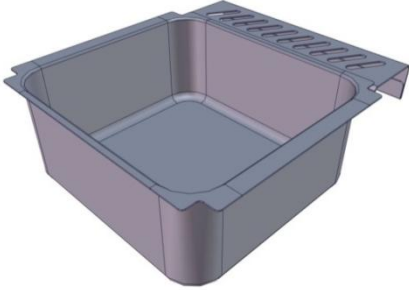
x2



22

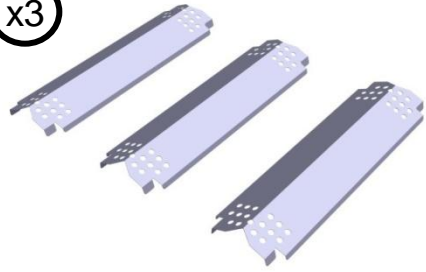


23



24

x3

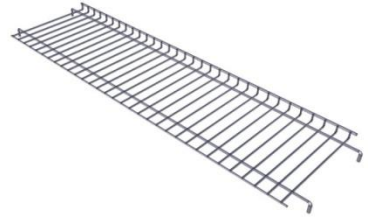


25

x2



26



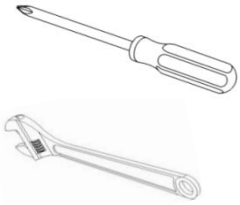
27



28



Tools Needed / Herramientas necesarias



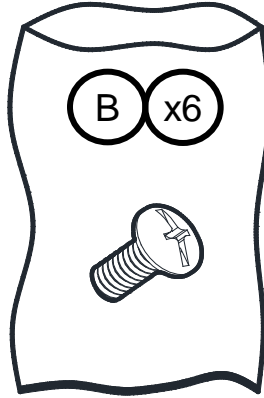
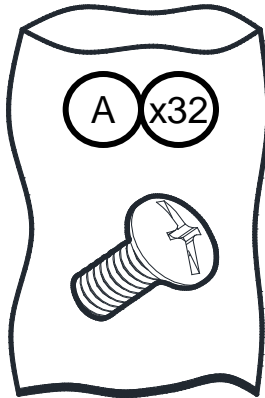
Some parts come with Screws pre-installed. Loosen and tighten for final assembly.

Algunas partes vienen con los tornillos pre instalados. Afloje y apriete para el ensamble final.

Hardware package list/ Lista de tornillos del paquete

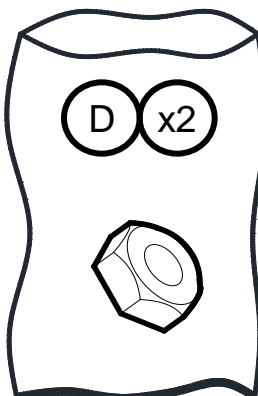
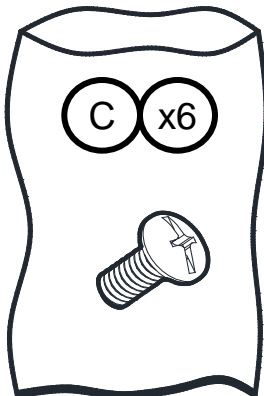
Truss head screw (Black)
1/4-20x1/2"
Tornillos de cabeza reforzada con la arandela (negro) 1/4 - 20 x 1/2"

Truss head screw (Black)
5/32-32 x 3/8"
Tornillo de cabeza ovalada (negro) 5/32 - 32 x 3/8"



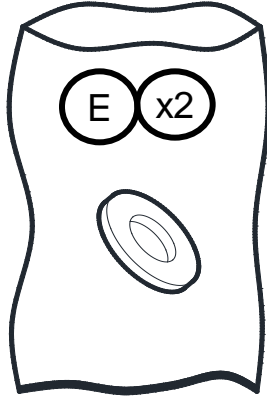
Truss head screw (Stainless steel)
5/32-32x3/8"
Tornillo de cabeza ovalada (acero inoxidable) 5/32 - 32 x 3/8"

Wheel nut 5/16"
Tuerca de la rueda 5/16"

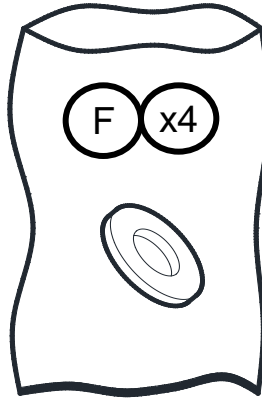


Hardware package list/ Lista de tornillos del paquete

Wheel flat washer
5/16"
Arandela plana 5/16"

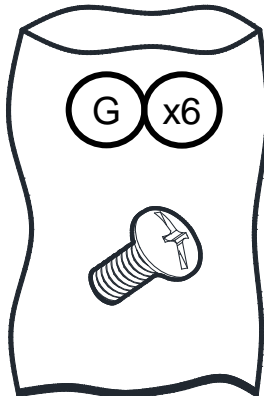


Arandela plana(acero
inoxidable) M4
Flat Washer
(Stainless steel) M4



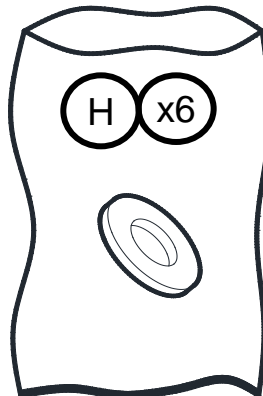
Truss head screw (Black)
5/32"-32x5/16"

Tornillos de cabeza reforzada con
la arandela (negro) 5/32"-32x5/16"

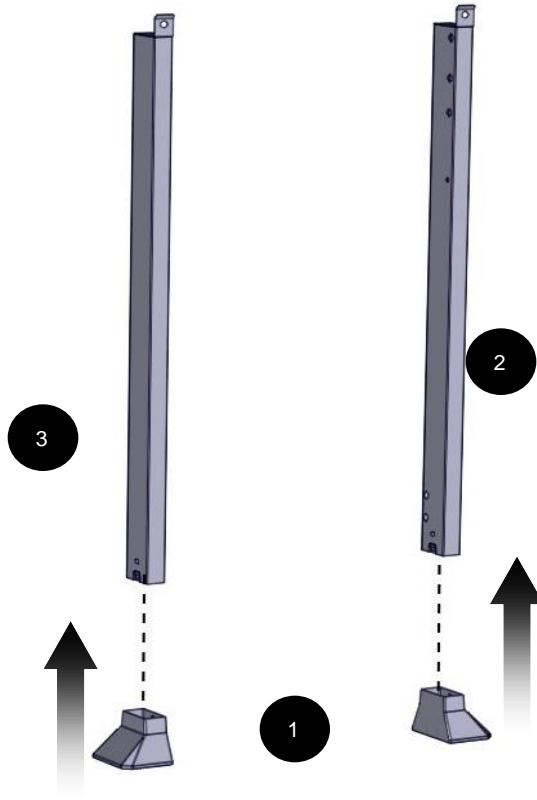


Flat Washer 1/4"

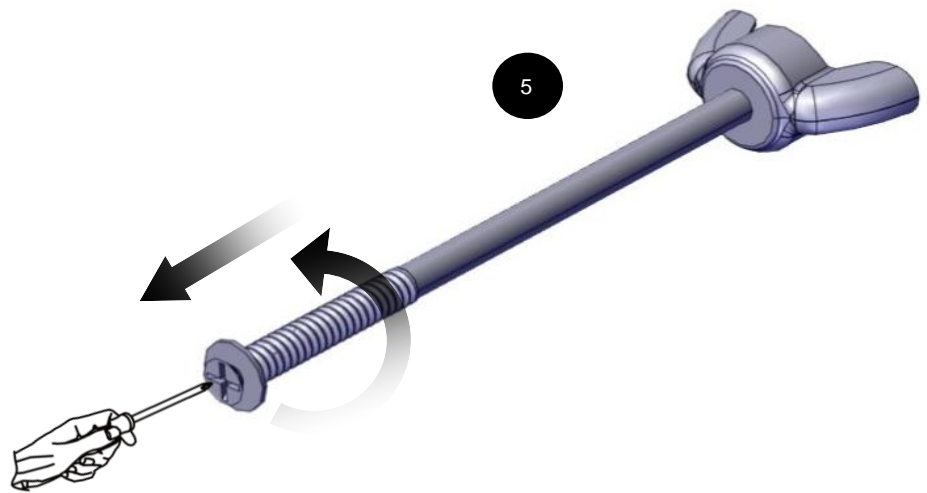
Arandela plana 1/4"



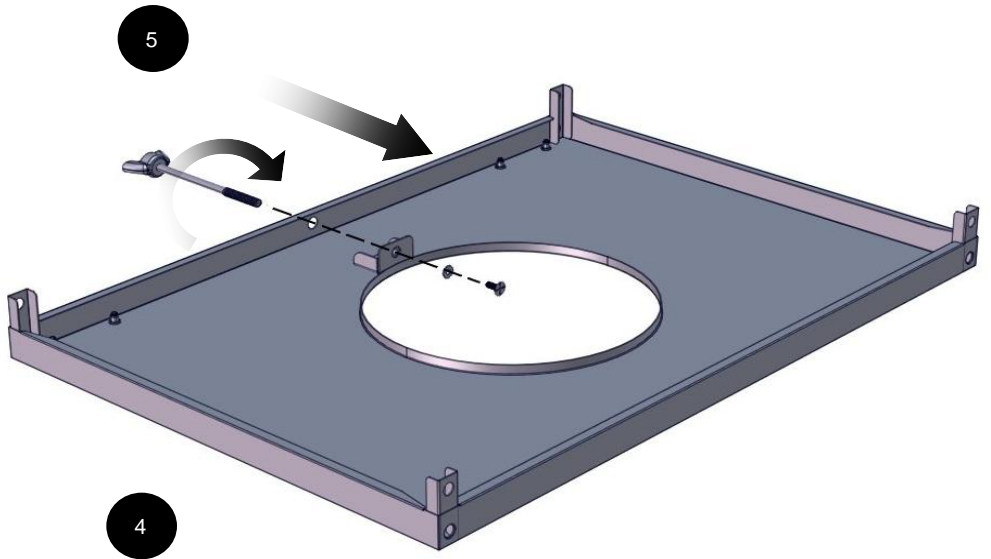
1



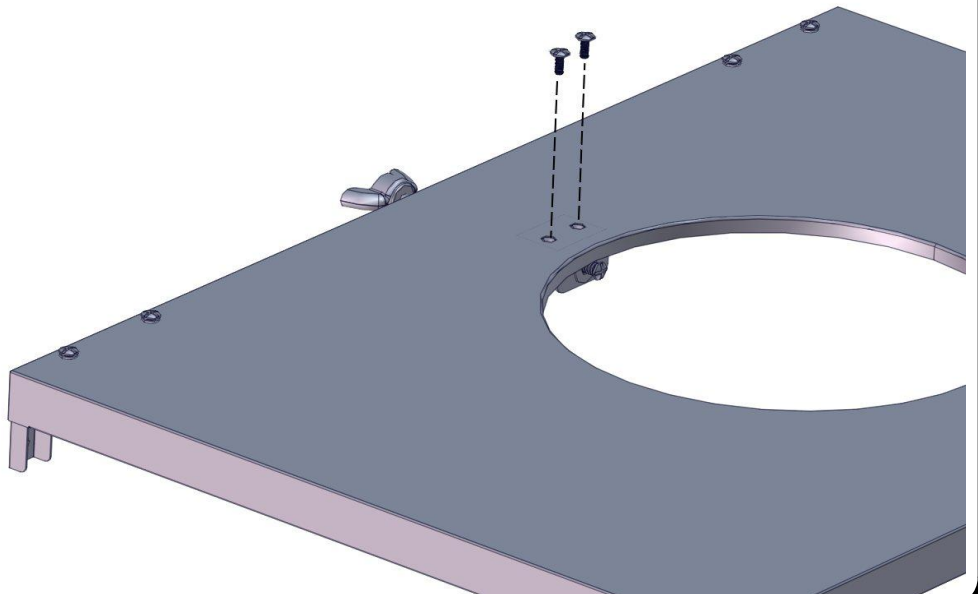
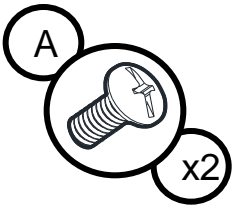
2

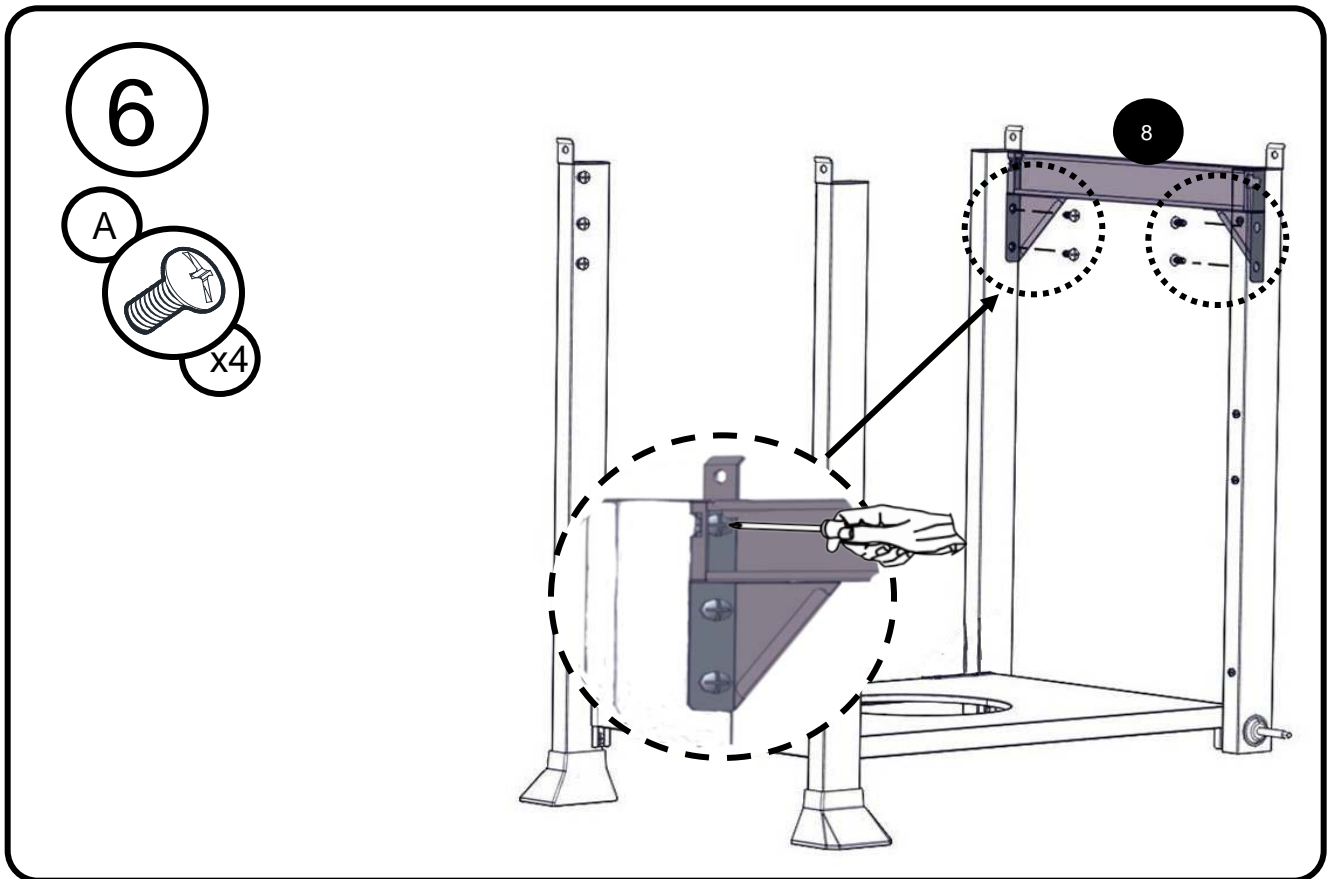
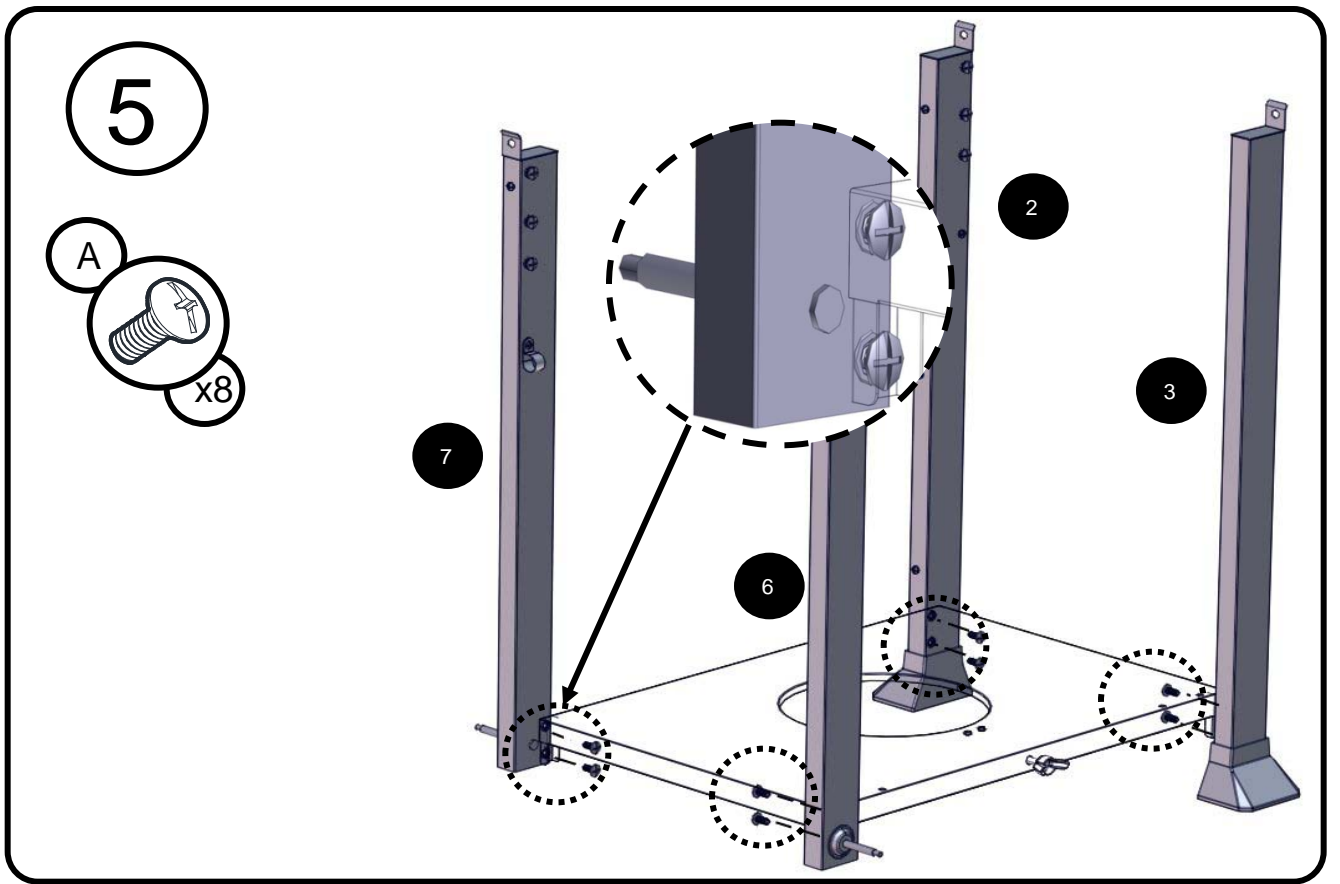


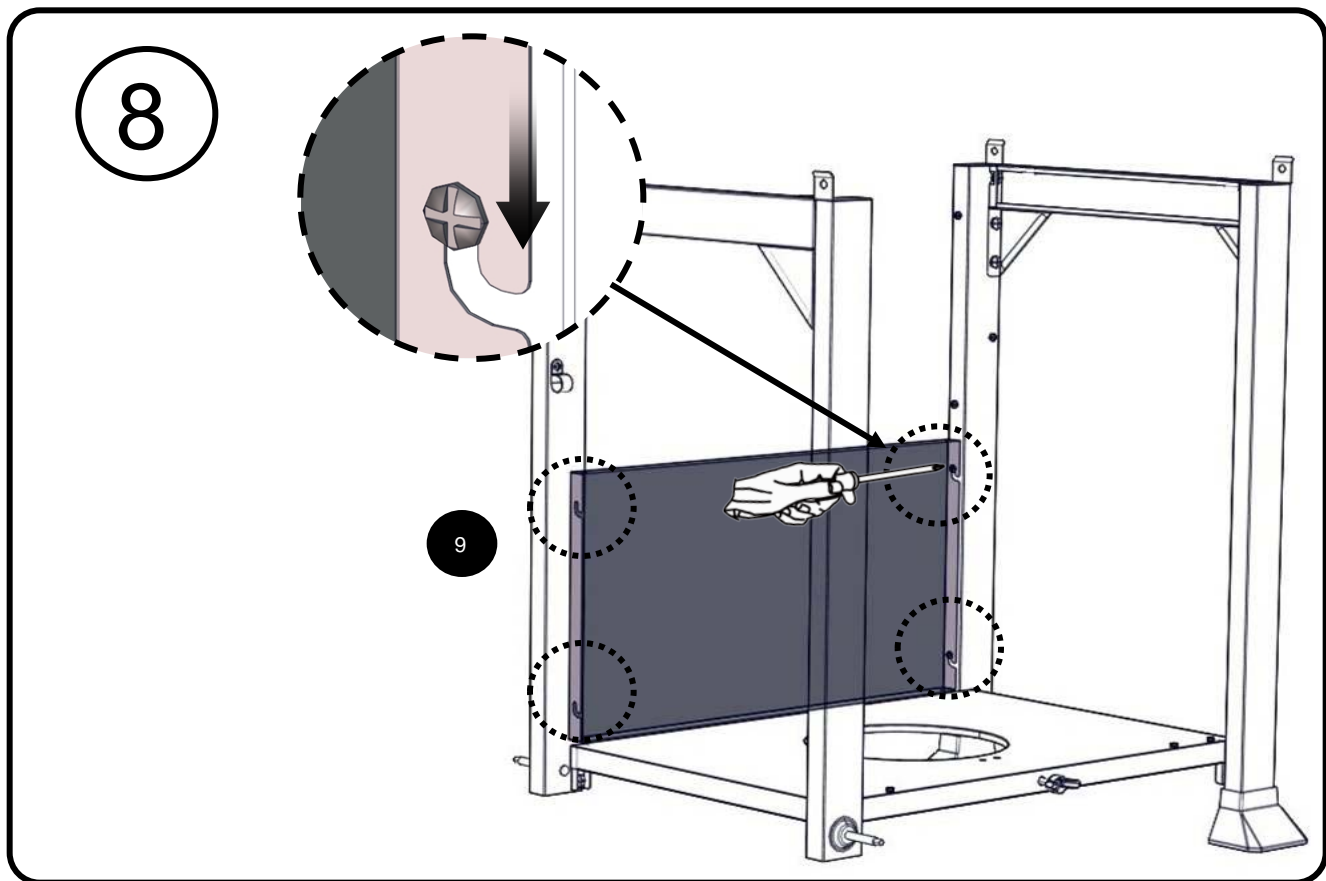
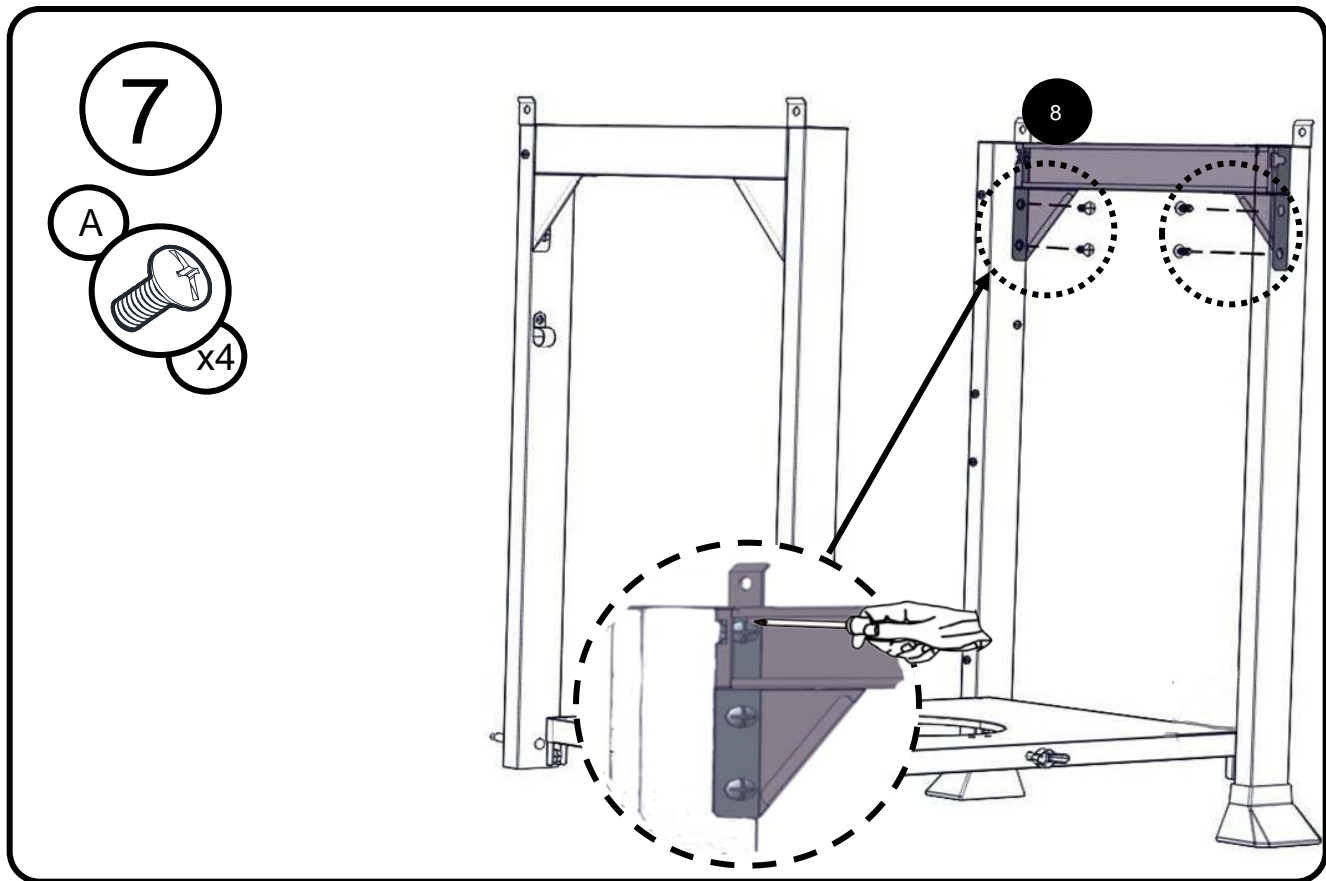
3



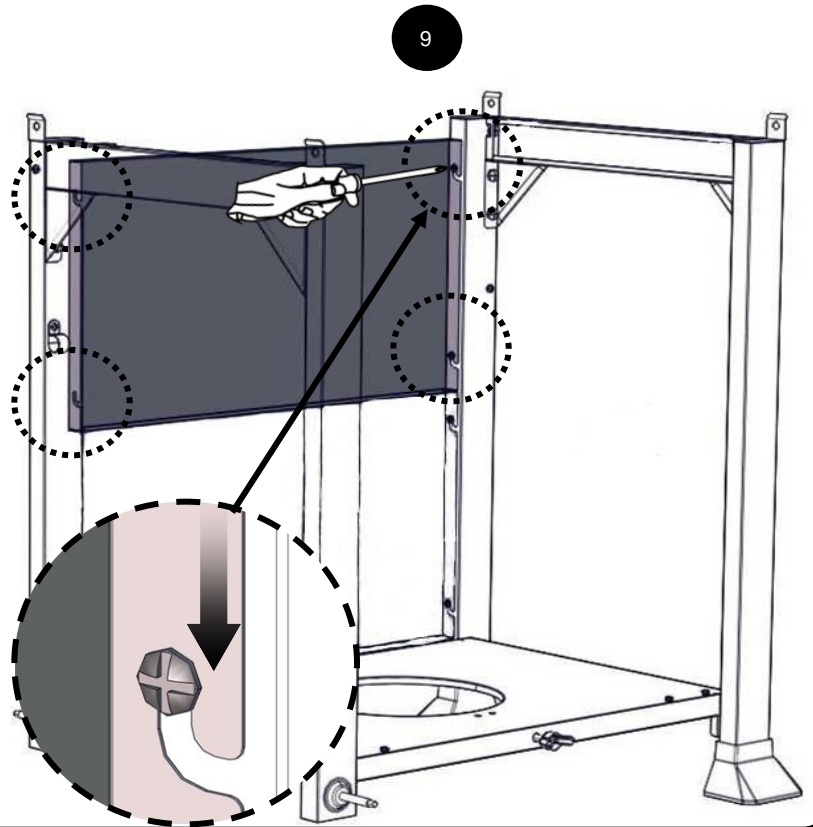
4



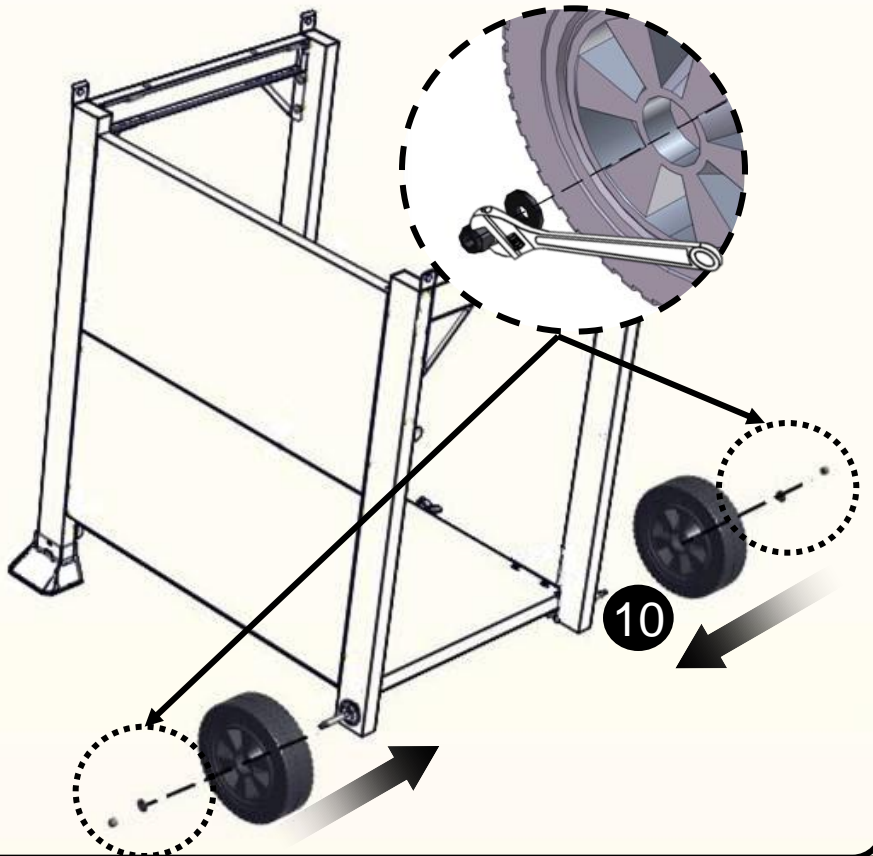
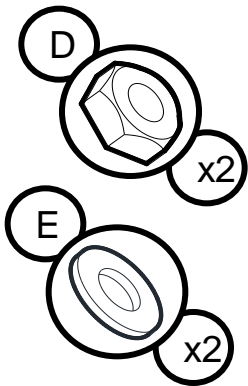


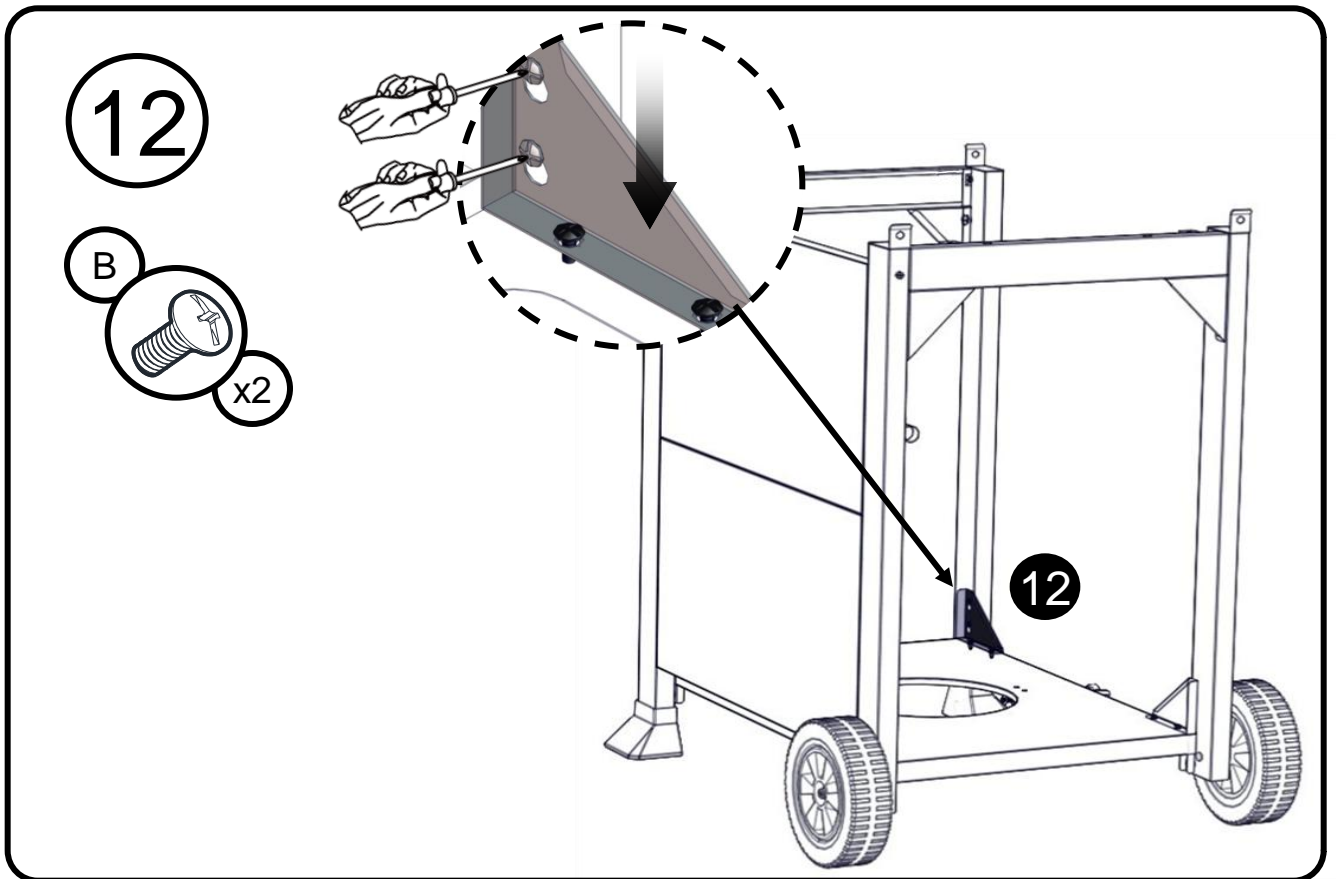
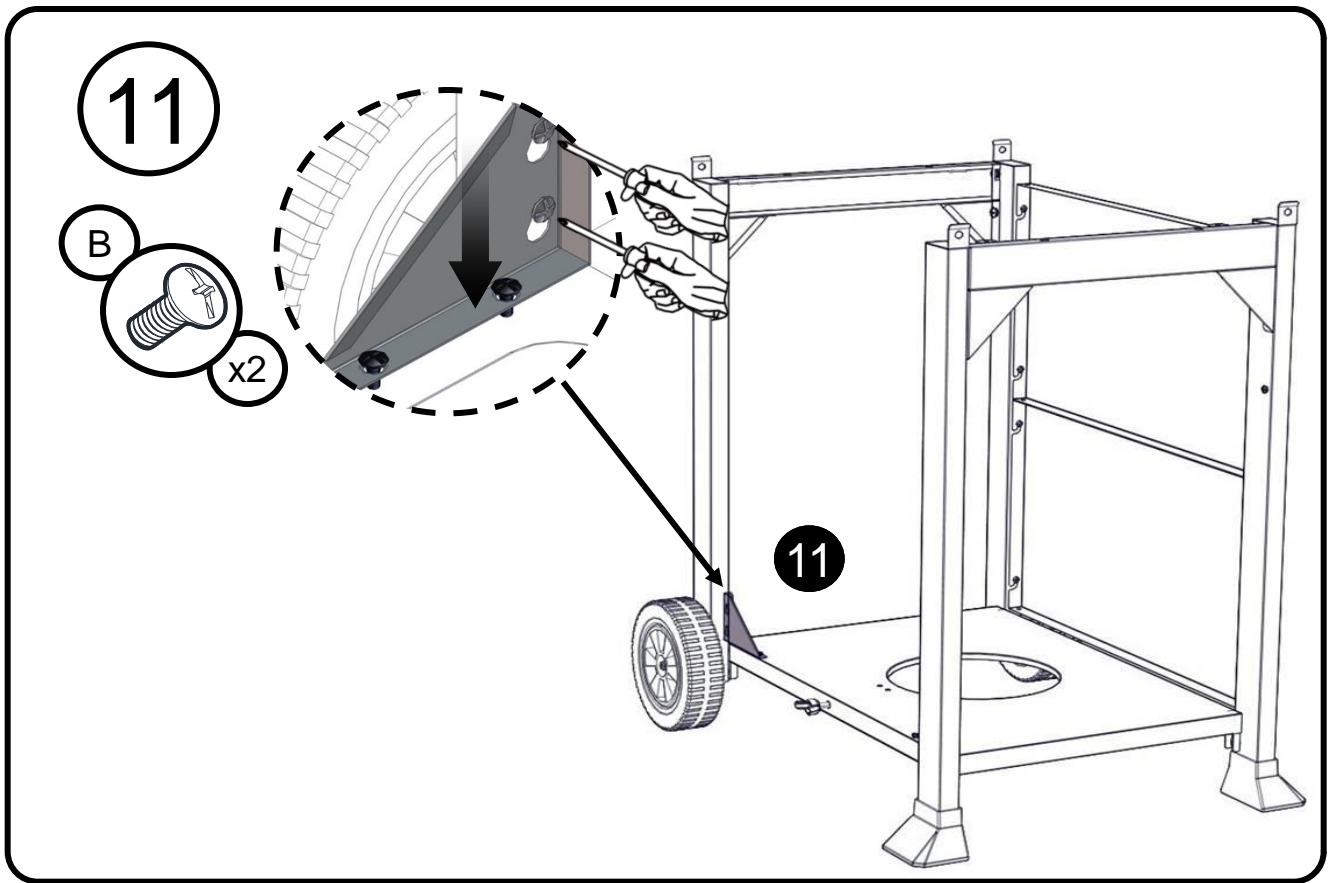


9

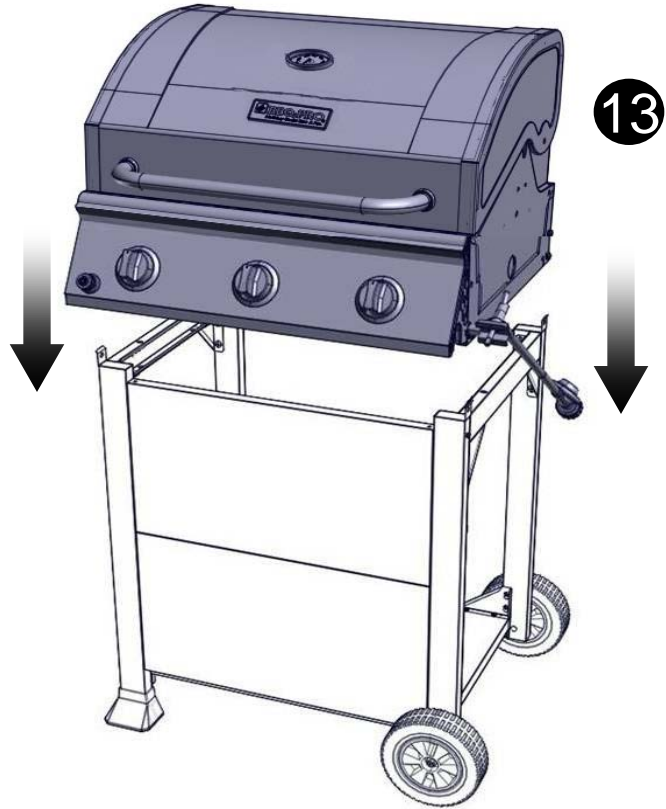


10

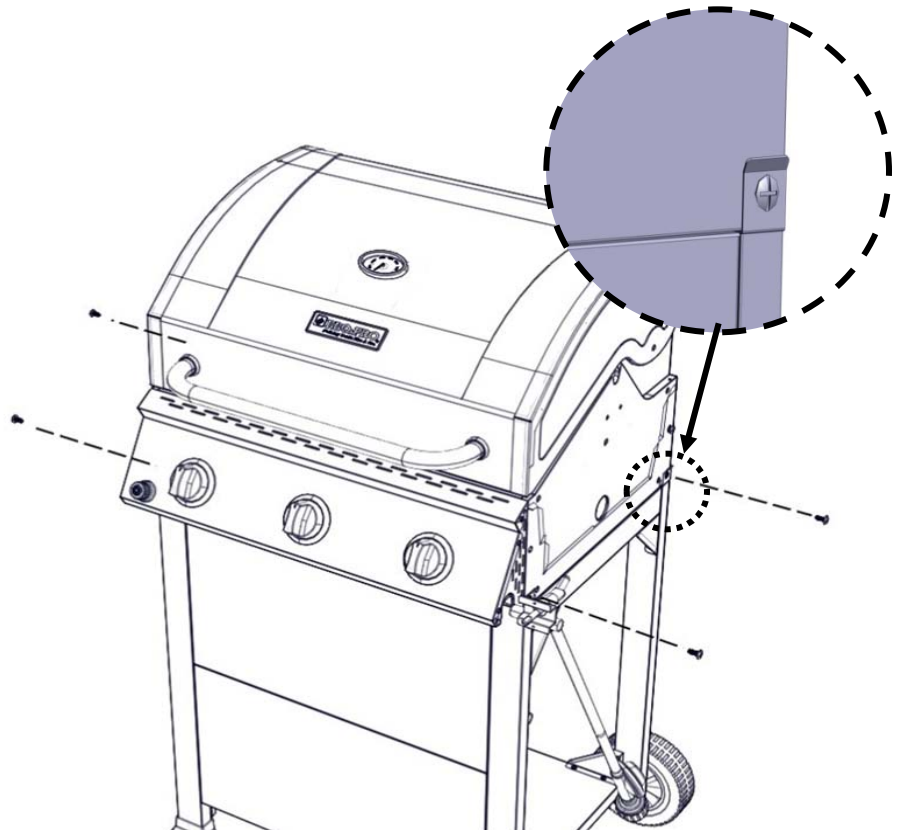
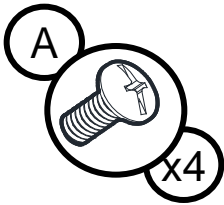




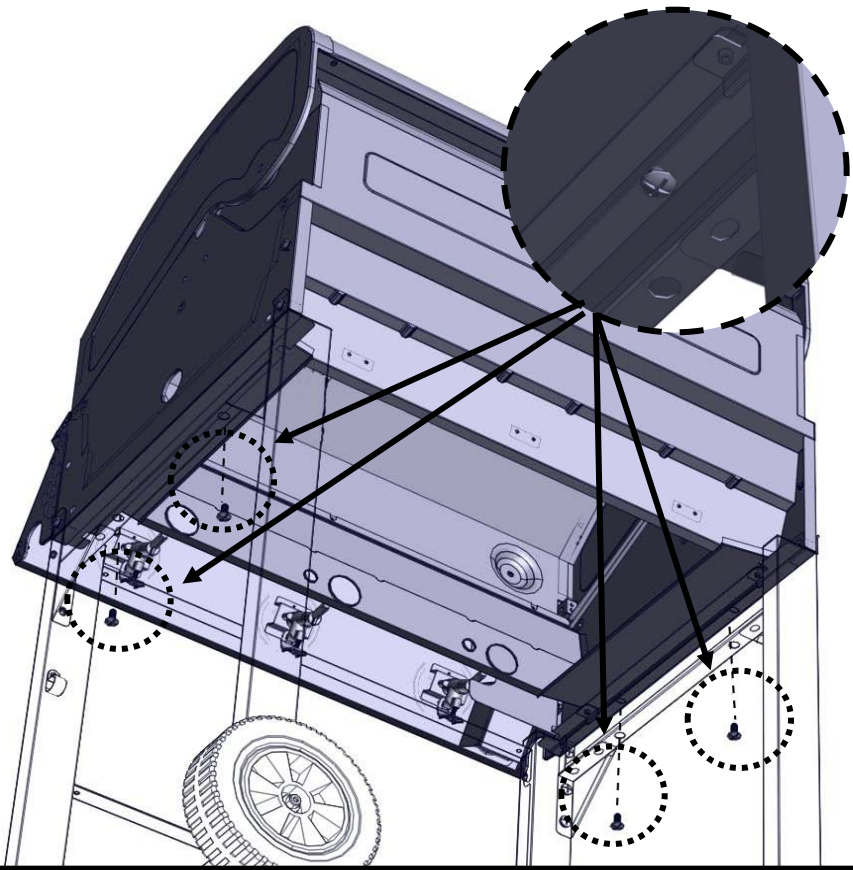
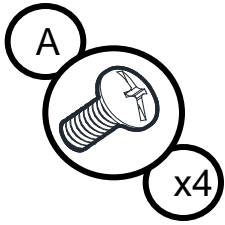
13



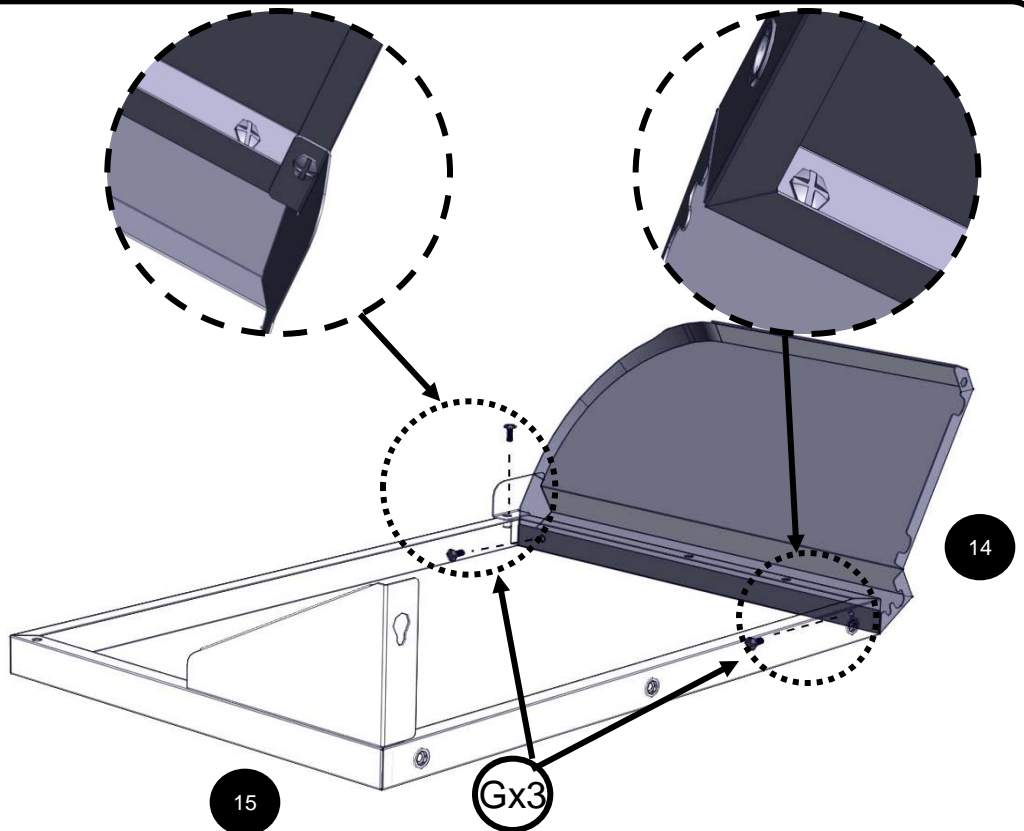
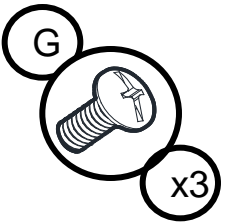
14



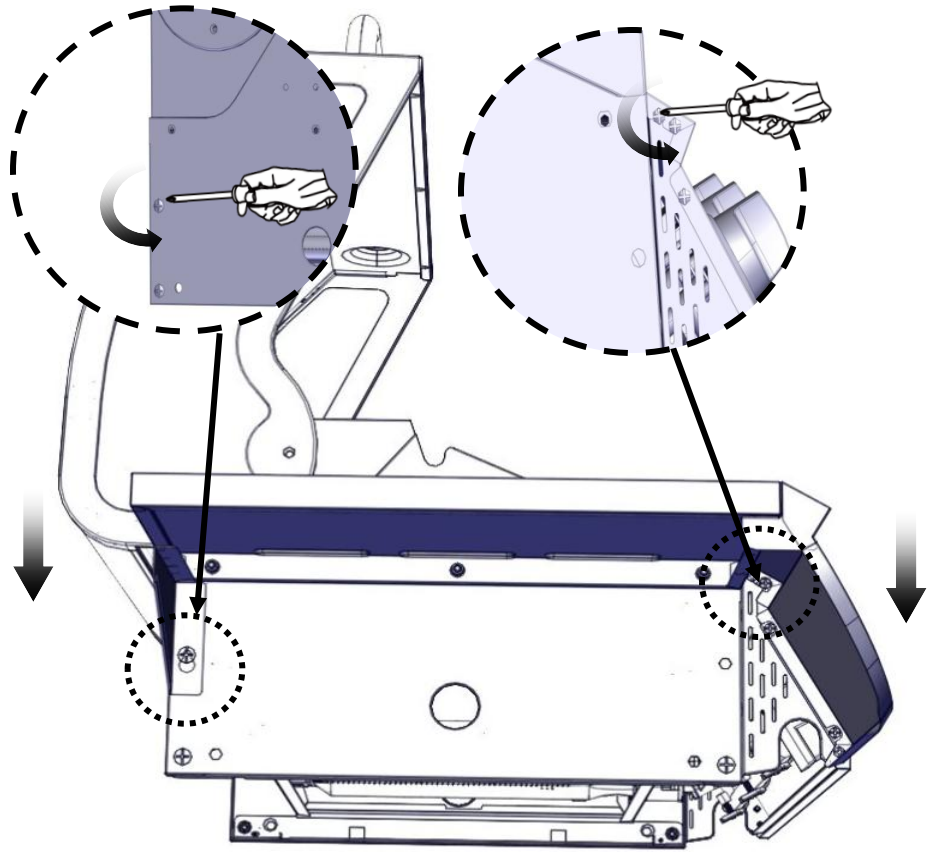
15



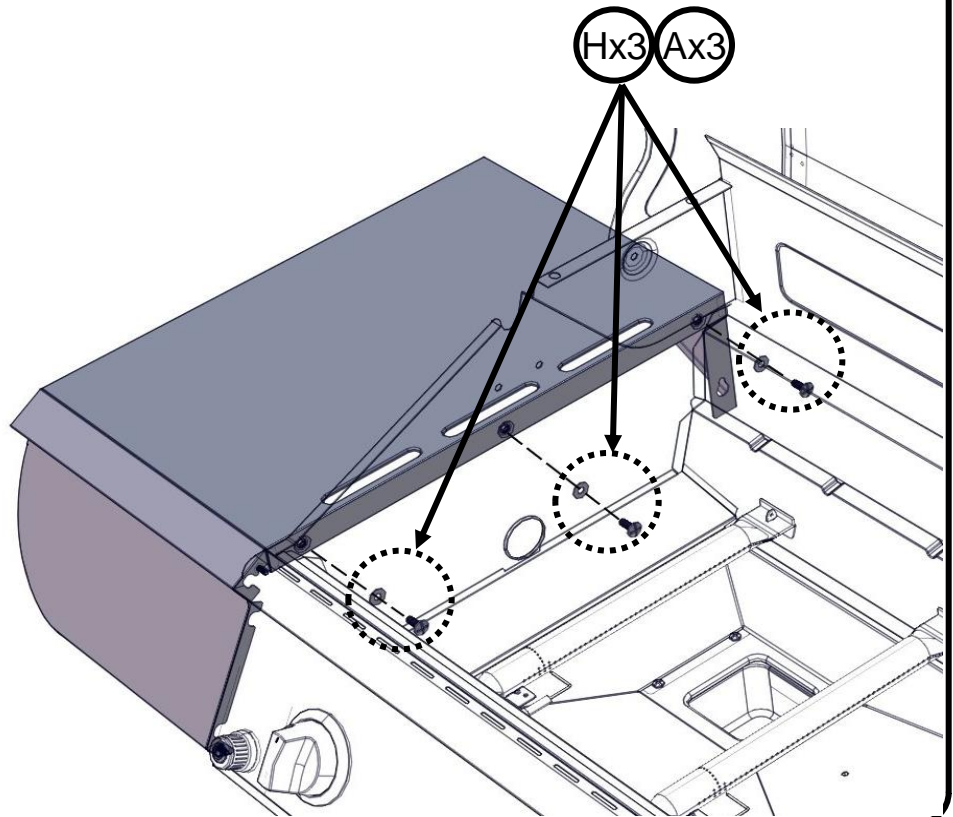
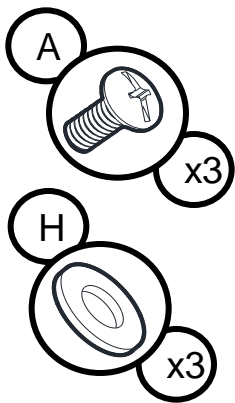
16



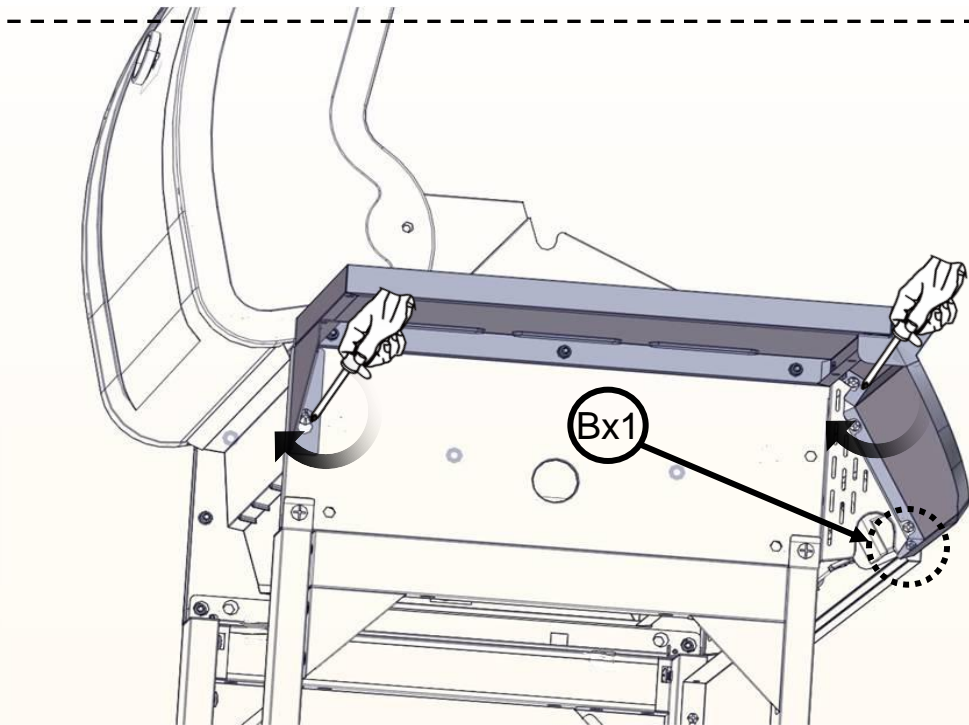
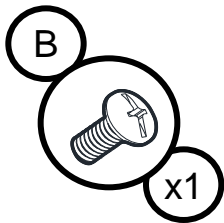
17



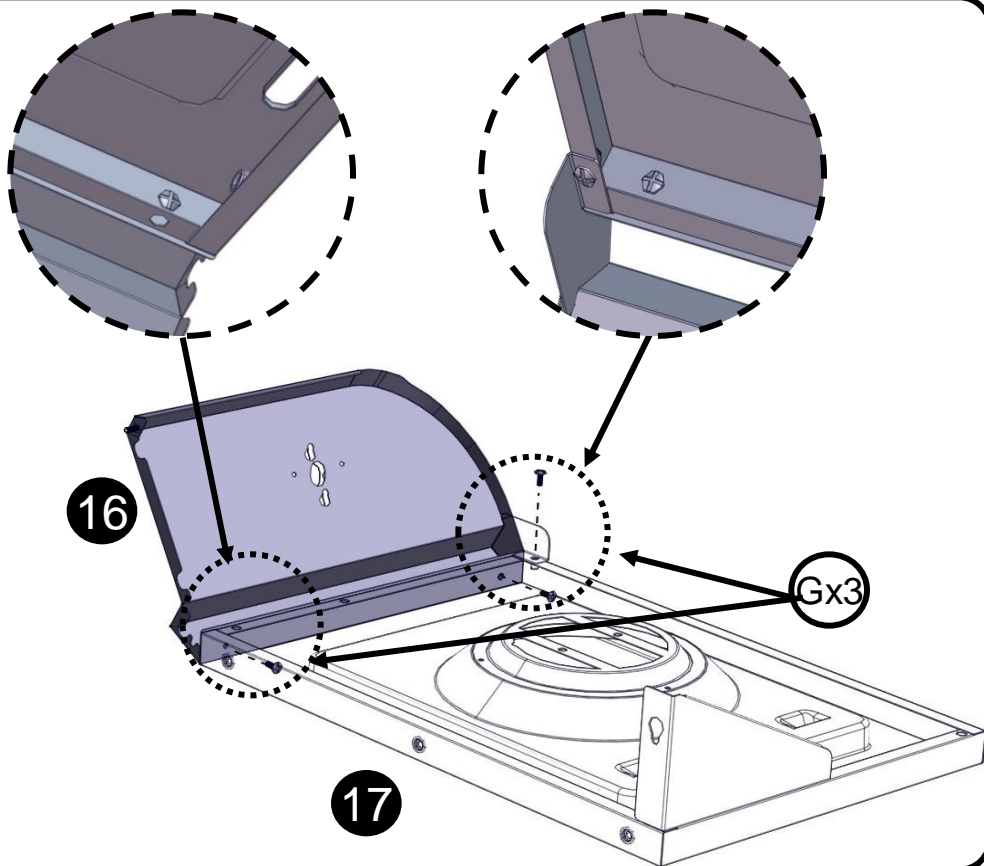
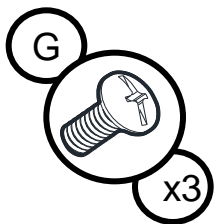
18



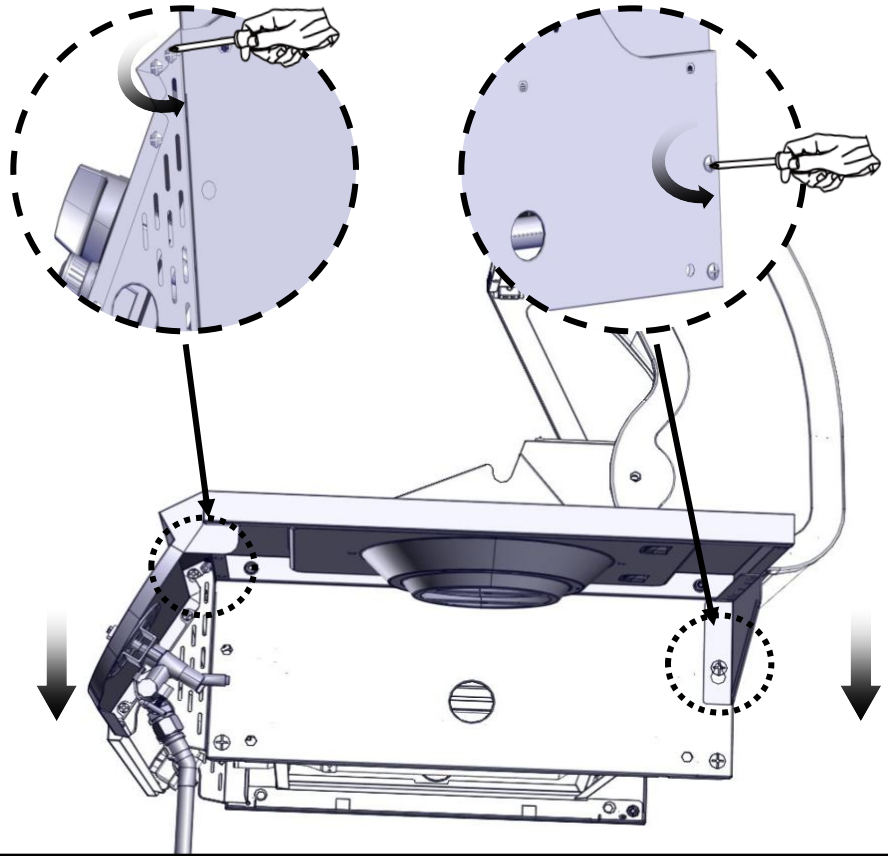
19



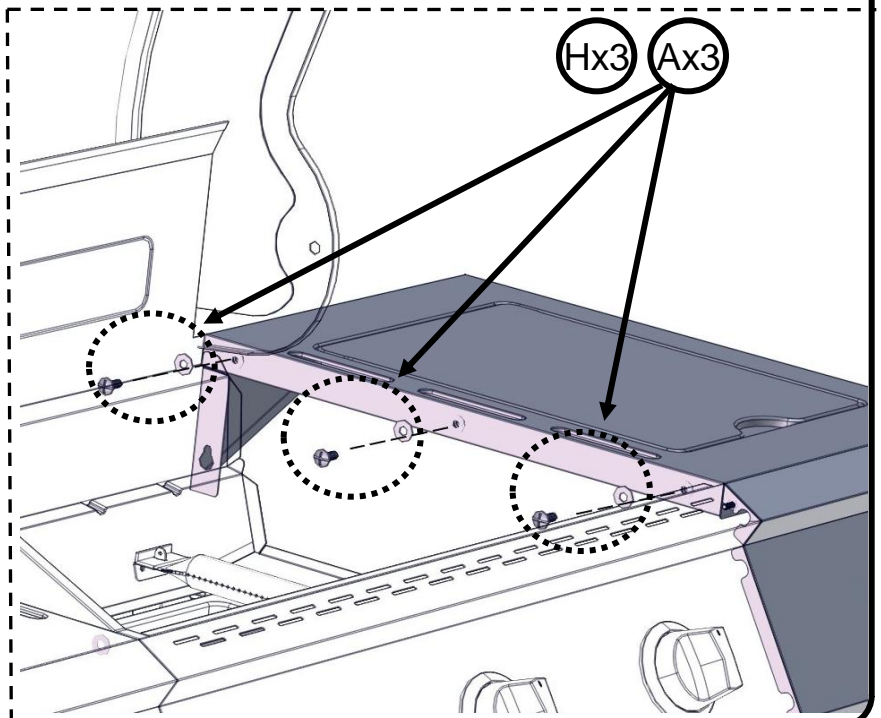
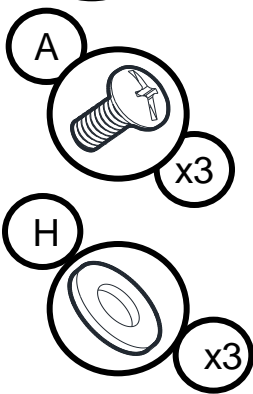
20



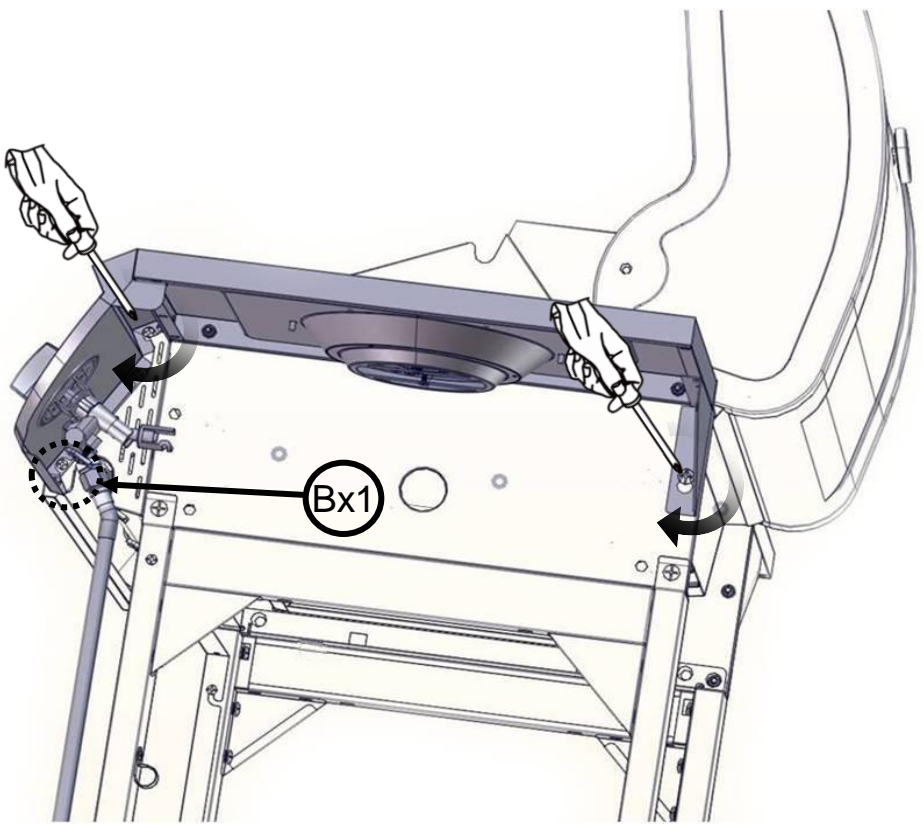
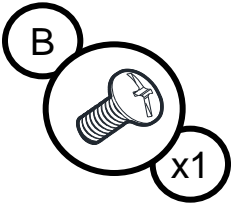
21



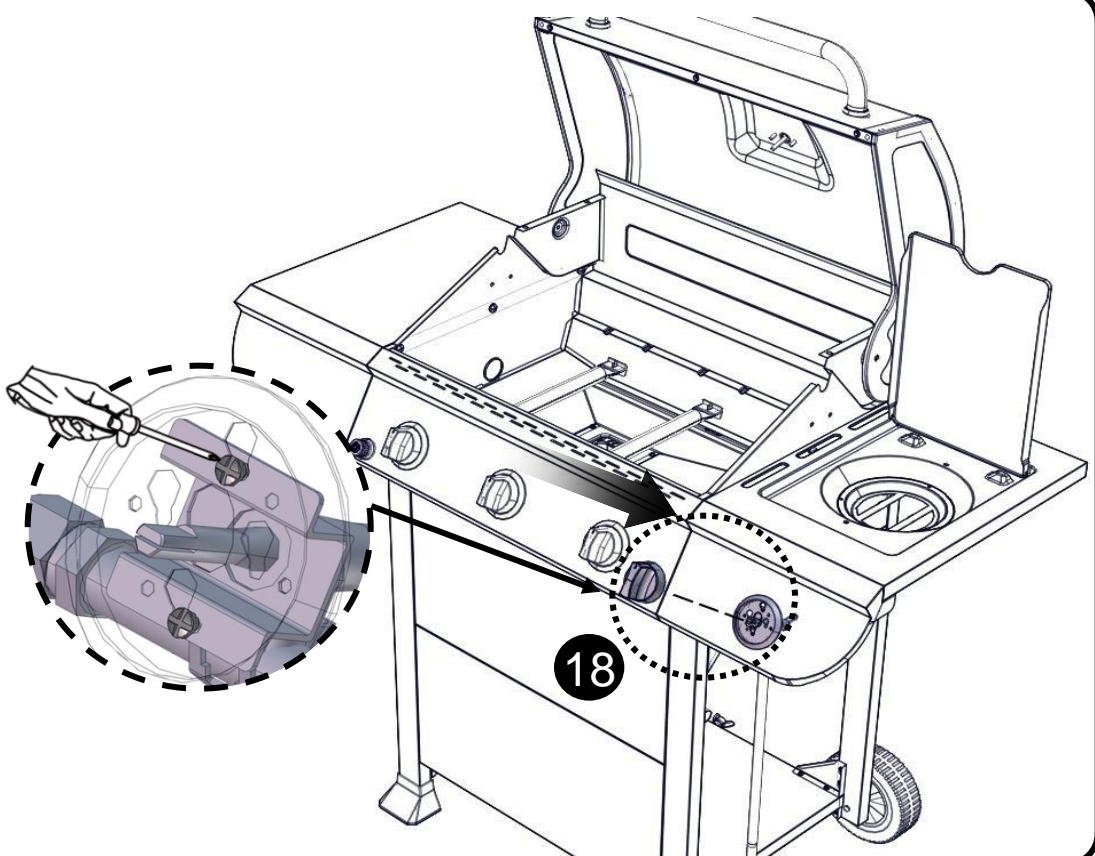
22



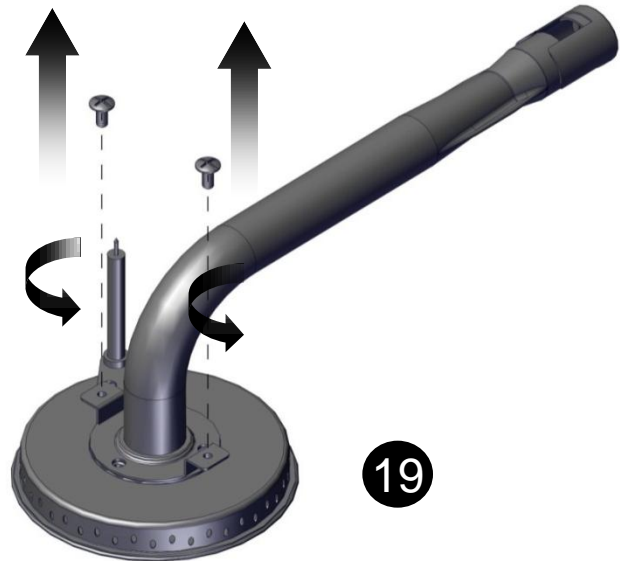
23



24

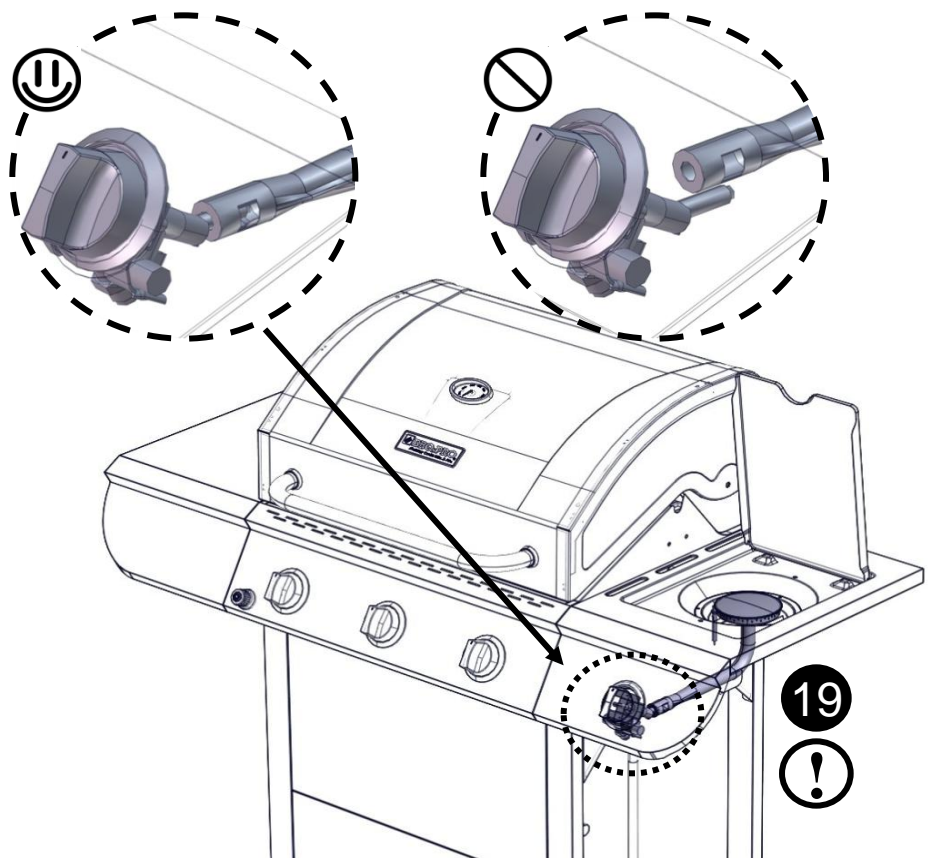


25



19

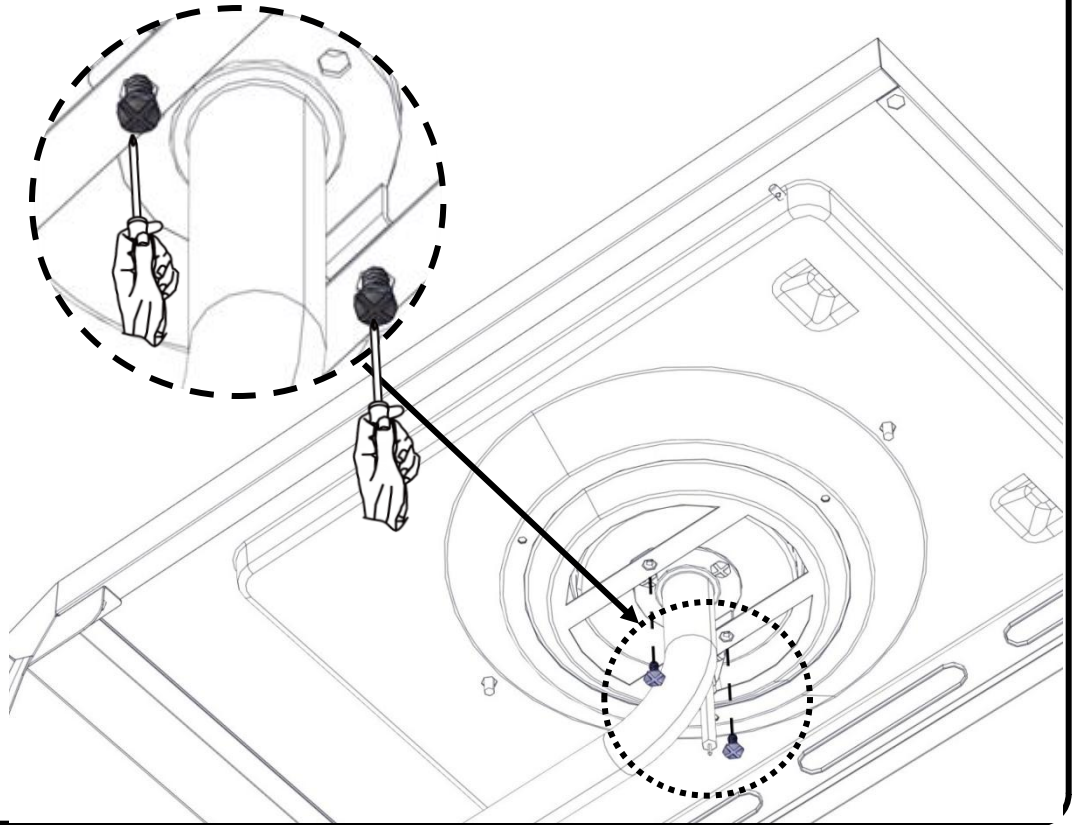
26 !



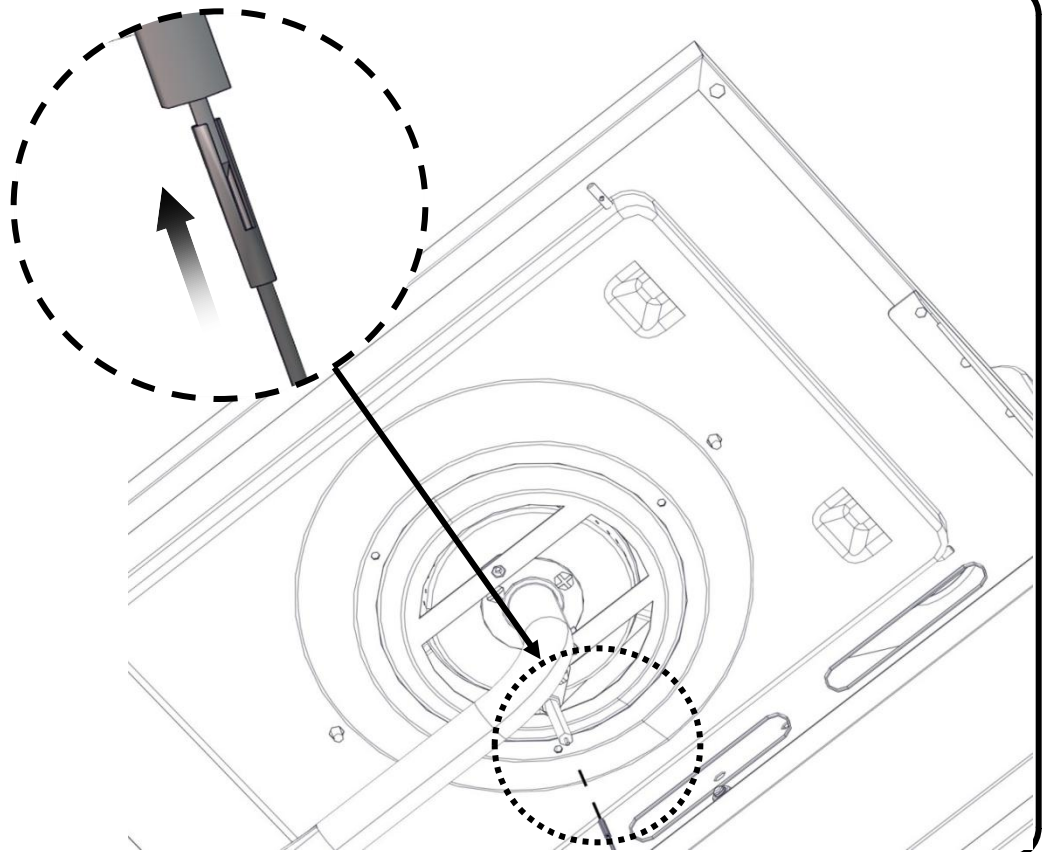
19



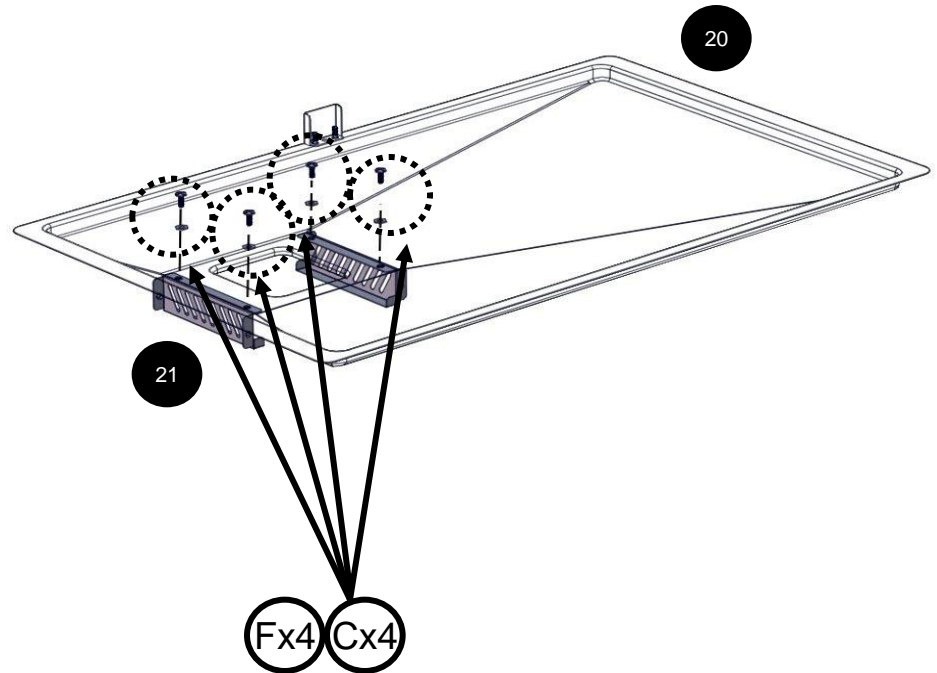
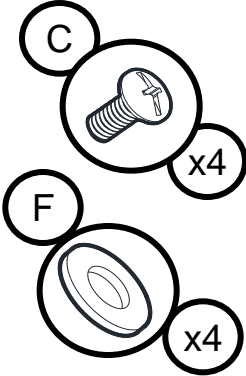
27



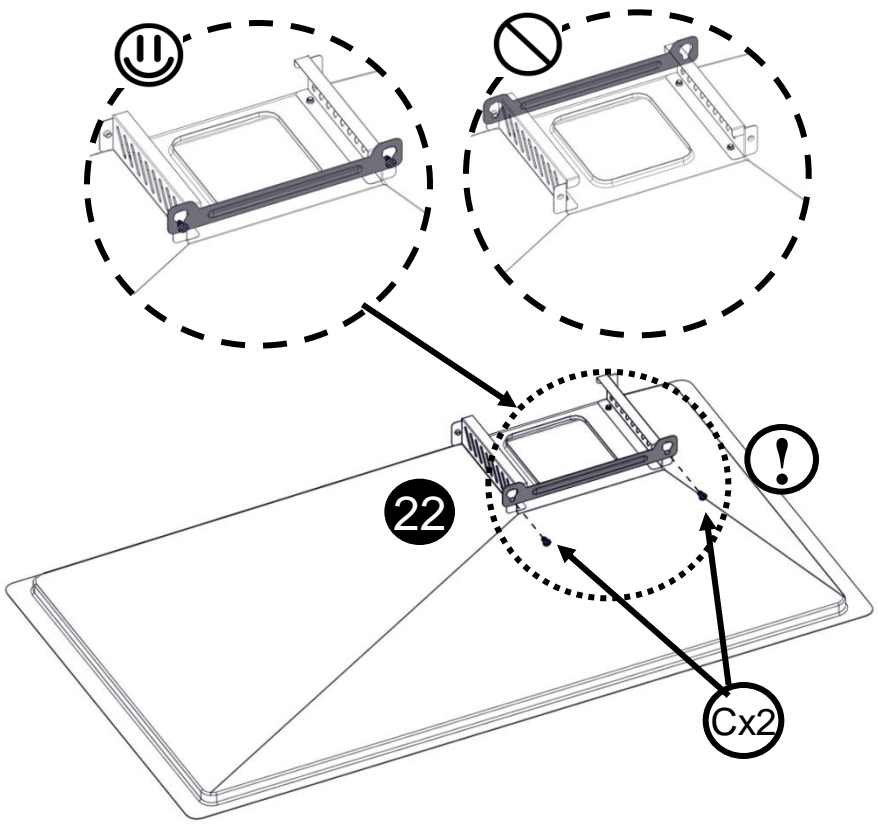
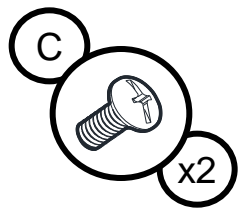
28



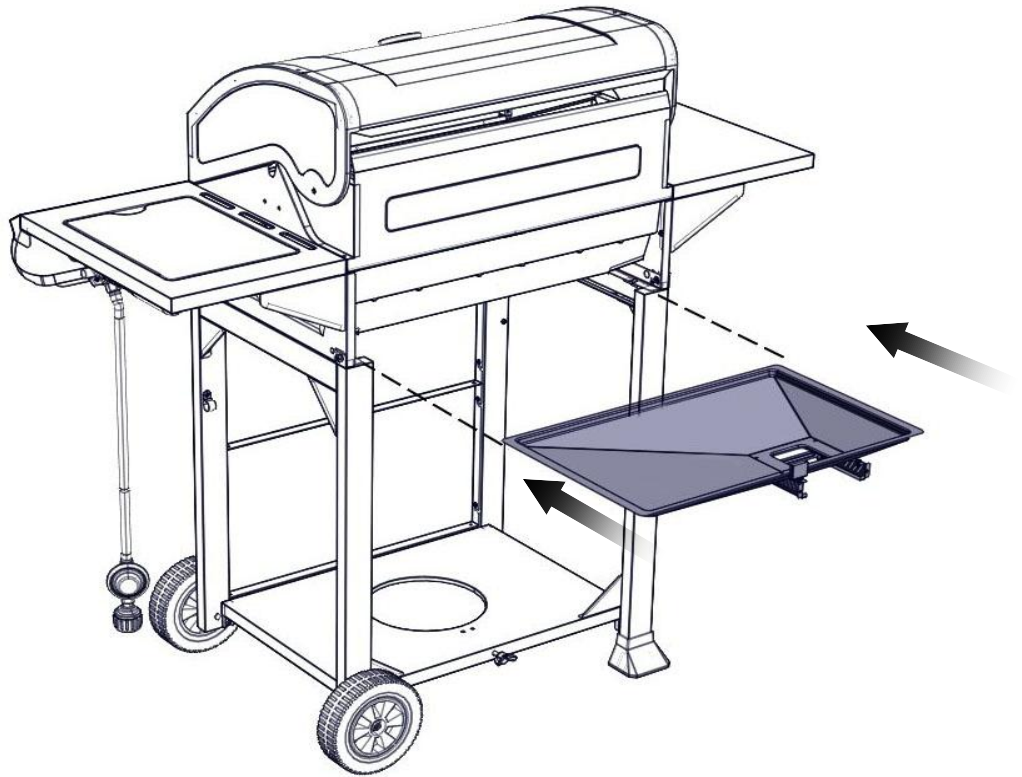
29



30 !



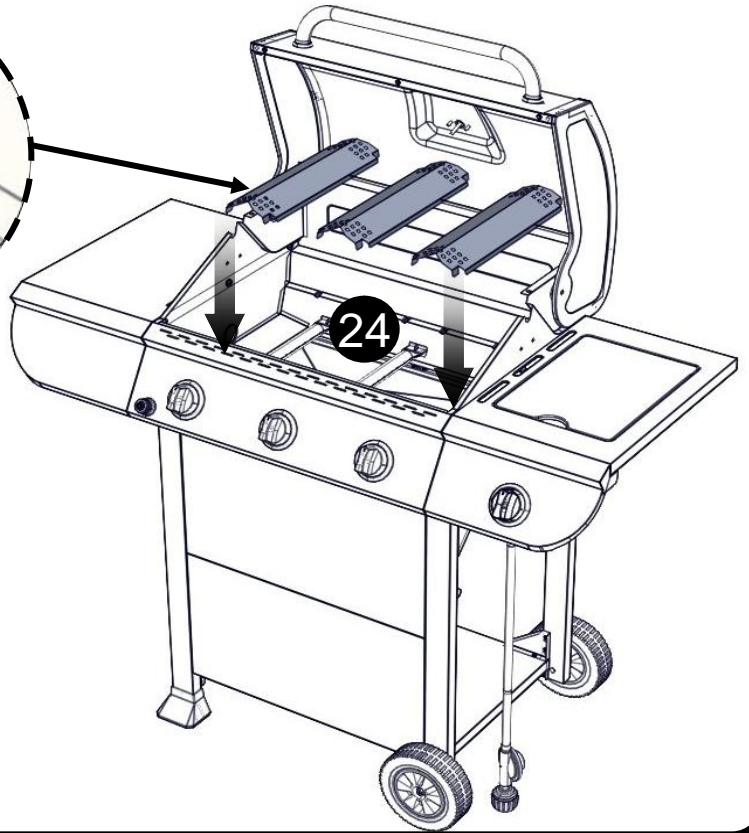
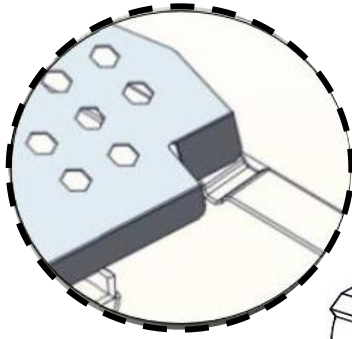
31



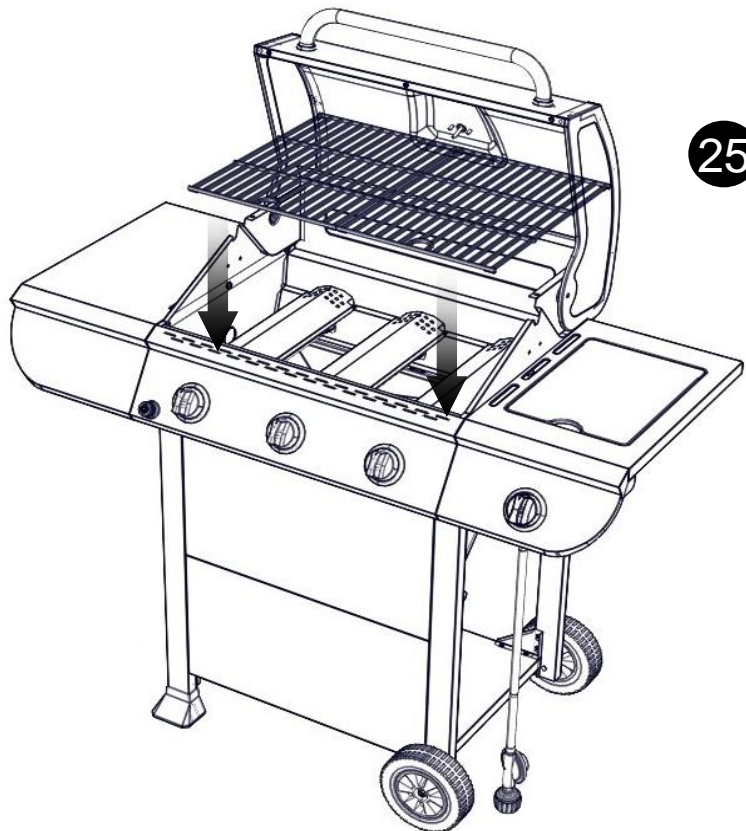
32



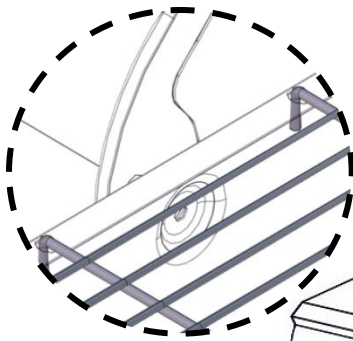
33



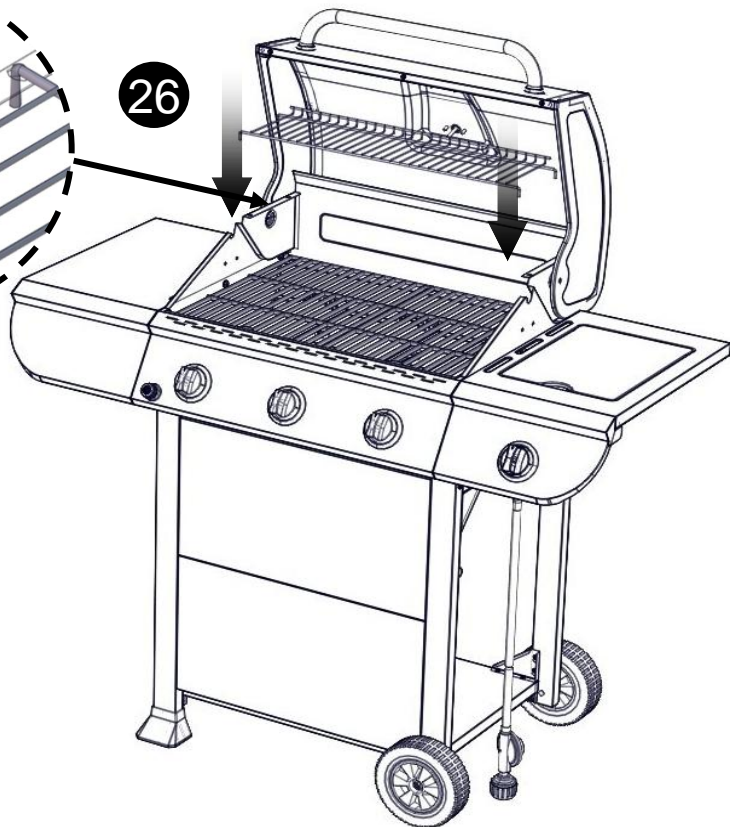
34



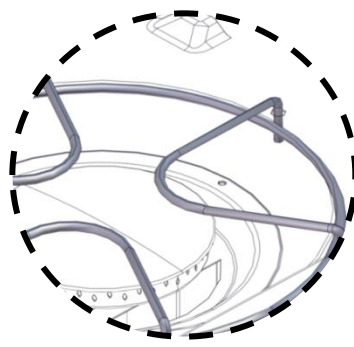
35



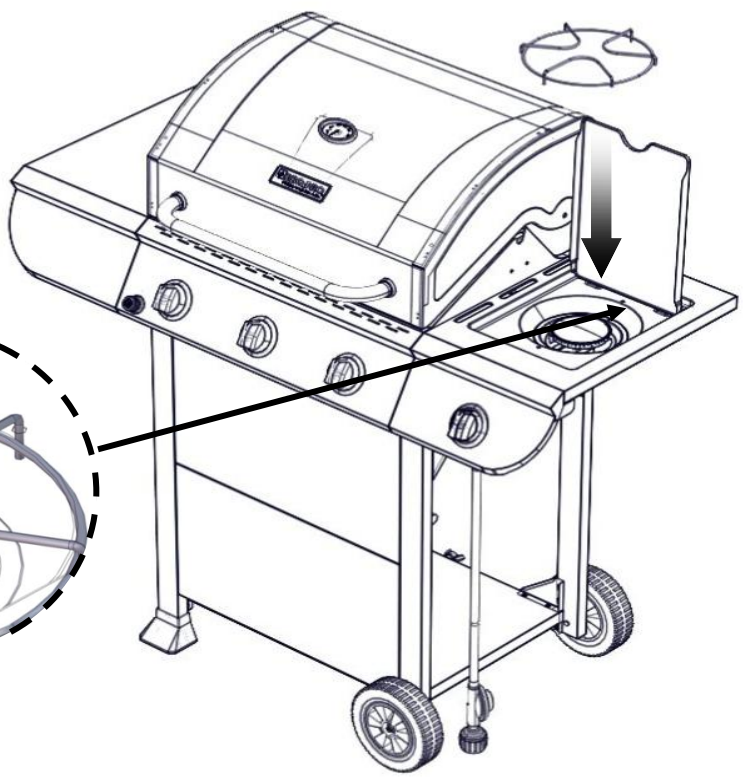
26

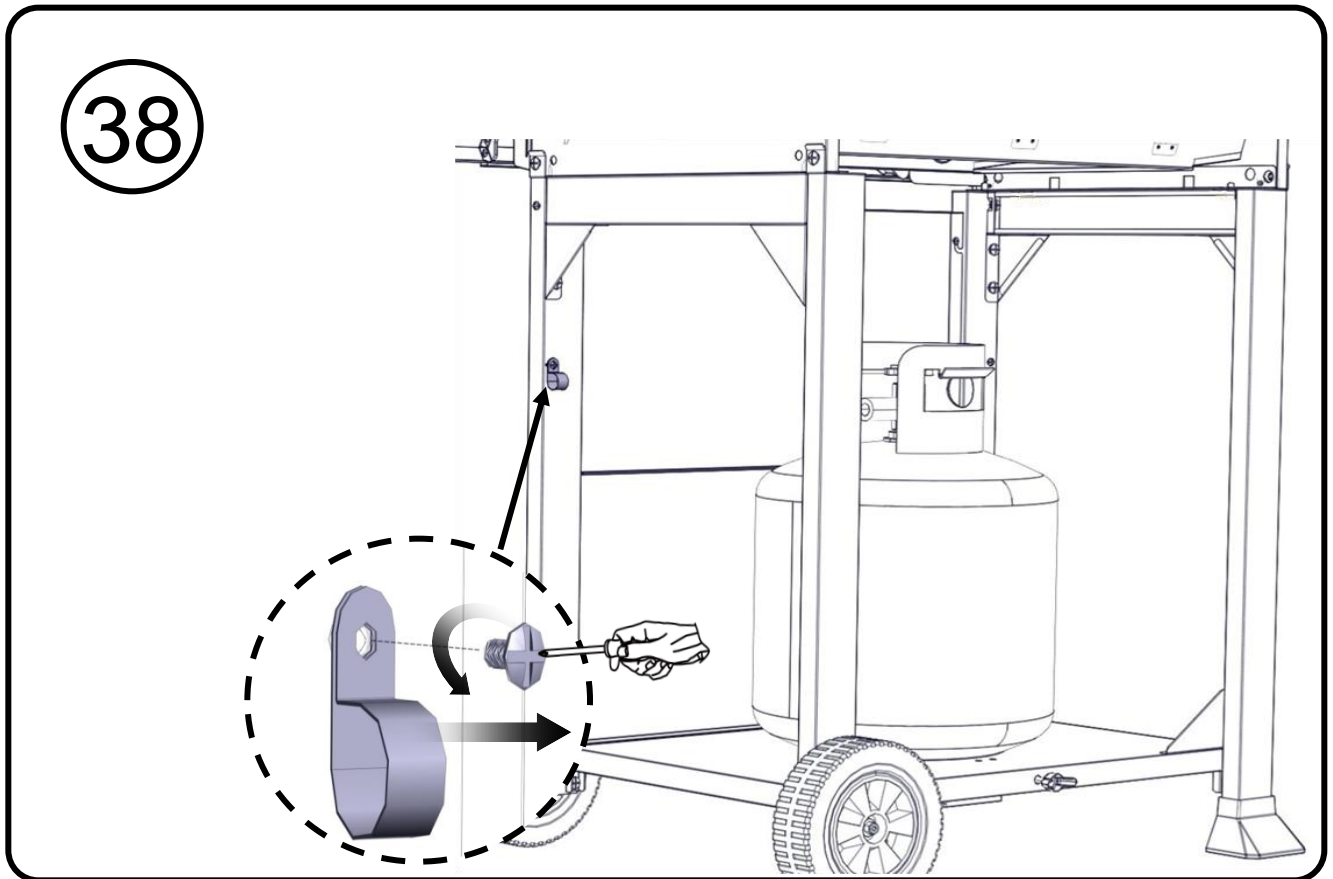
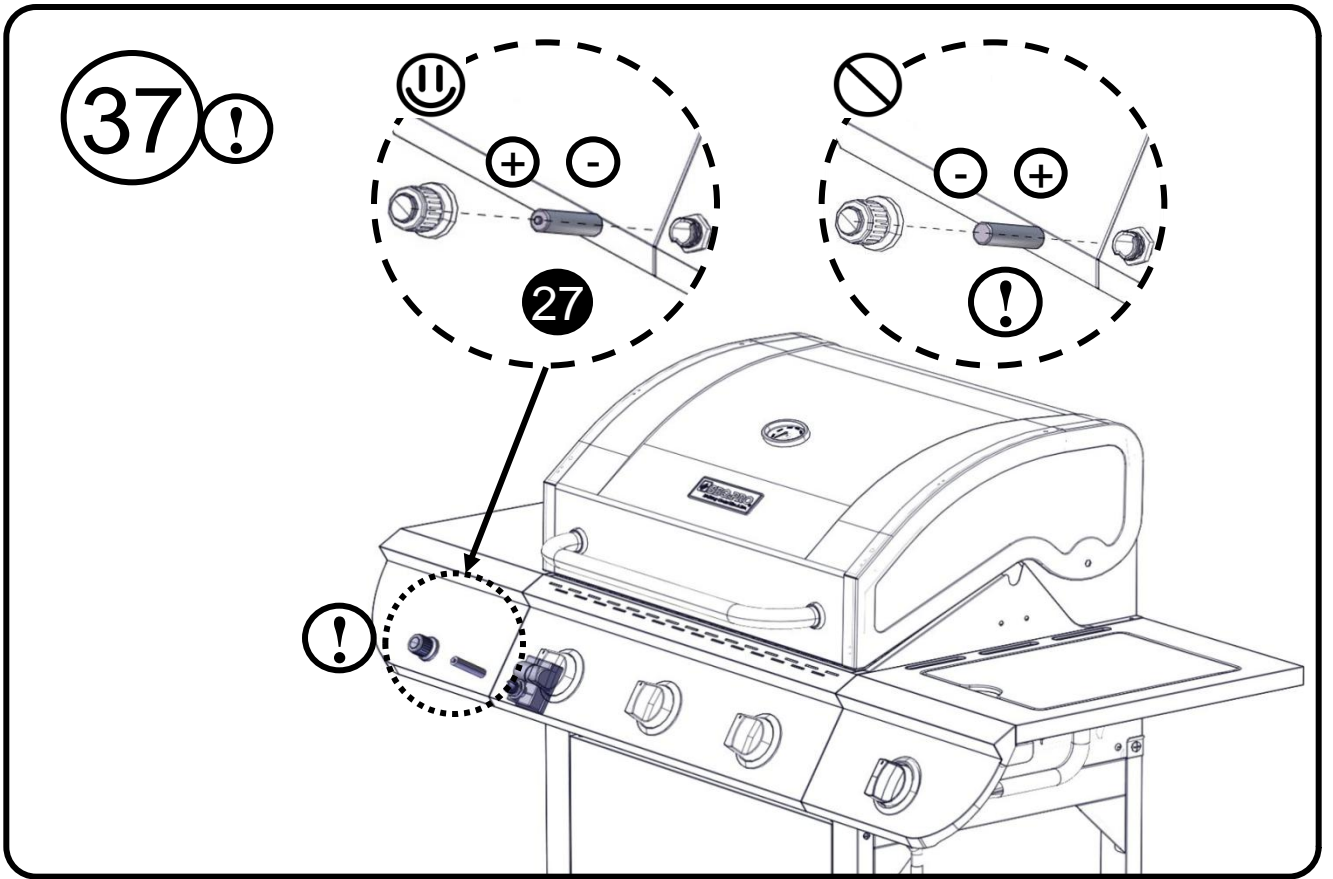


36

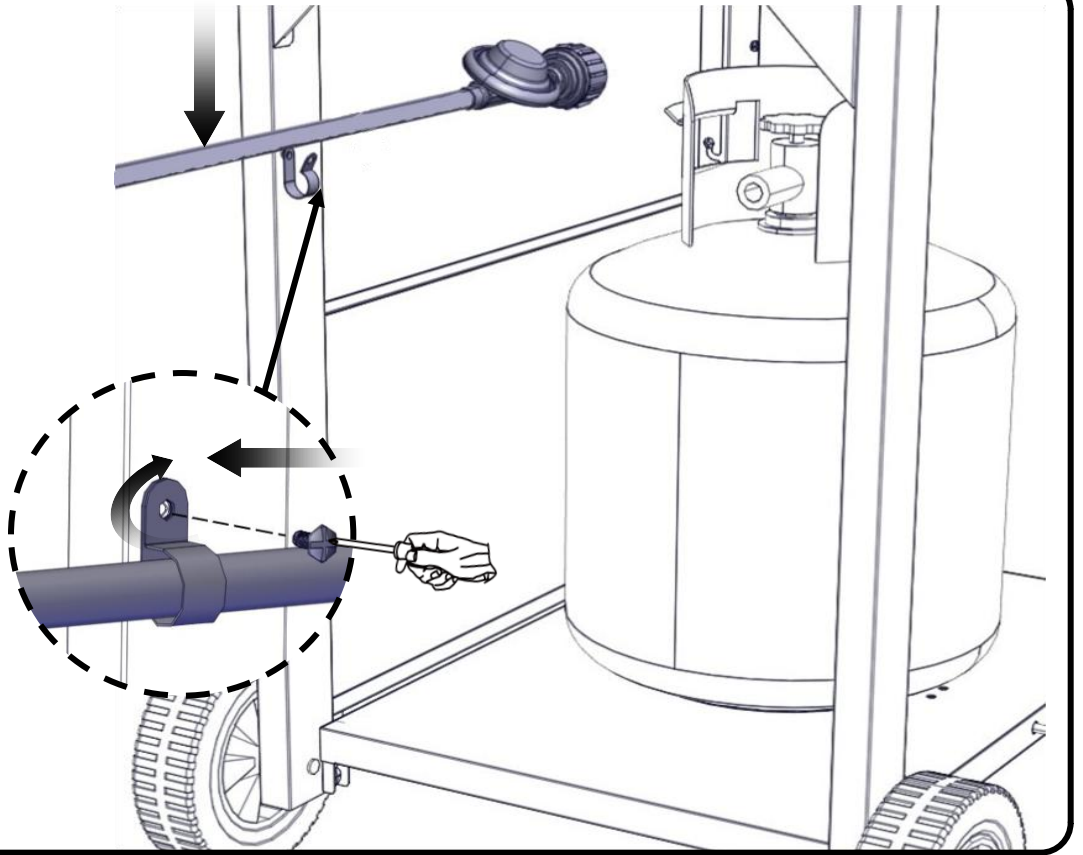


28

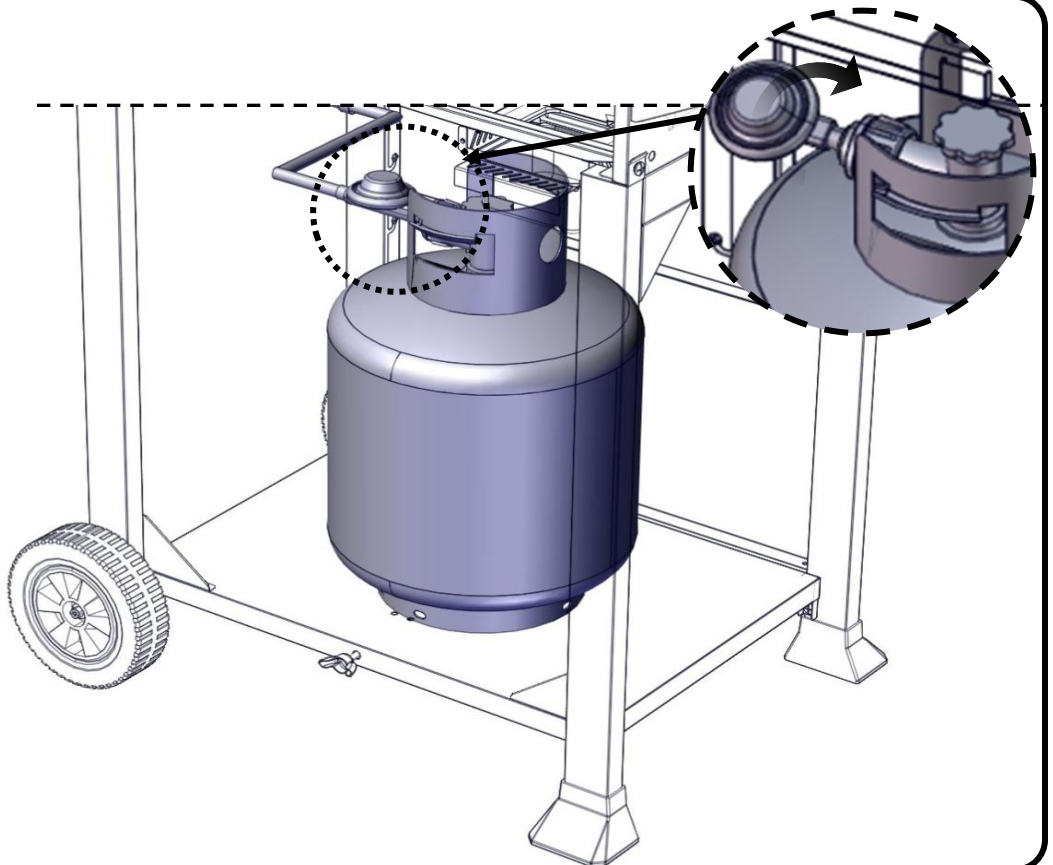




39



40



41

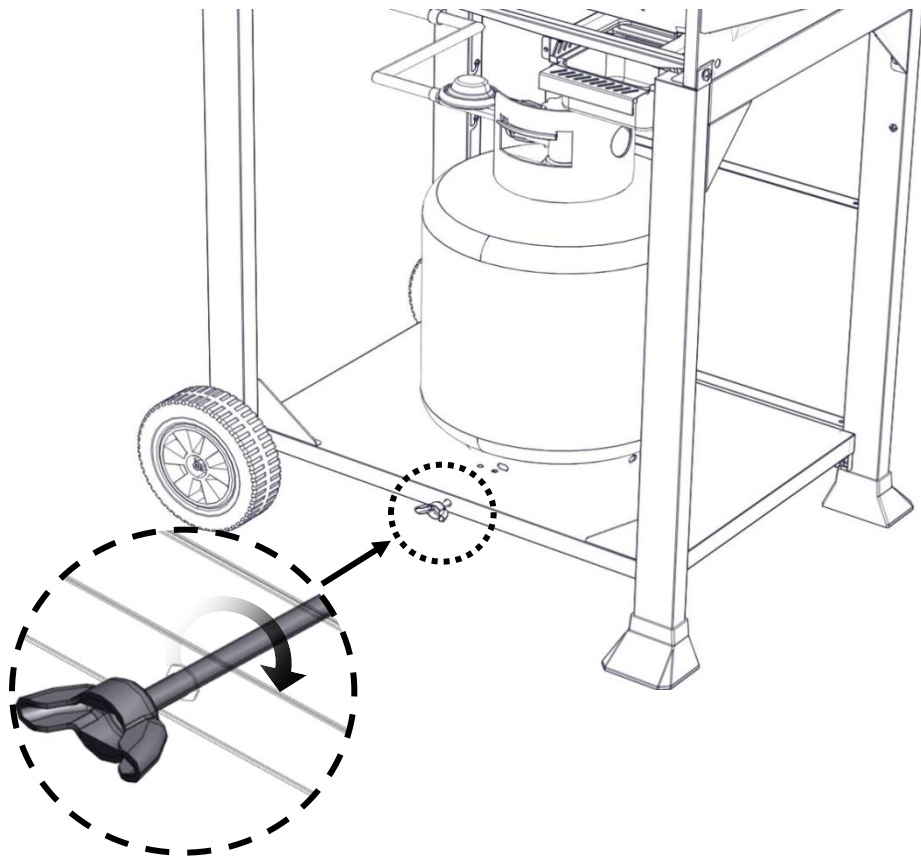


Table of Contents

Warranty-----	29
Safety Precautions-----	30
Grill Lighting Instruction-----	33
Cooking Instruction-----	35
Cooking Chart-----	36
Cleaning and Maintenance-----	37
Troubleshooting-----	38
Parts Diagram-----	52
Parts List-----	53

Repair Protection Agreements

Congratulations on making a smart purchase. Your new BBQ PRO product is designed and manufactured for years of dependable operation. But like all products, it may require repair from time to time. That's when having a Repair Protection Agreement can save you money and aggravation.

Here's what the Repair Protection Agreement * includes:

- Expert service** by our 10,000 professional repair specialists
- Unlimited service and no charge** for parts and labor on all covered repairs
- Product replacement** up to \$1500 if your covered product can't be fixed
- Fast help by phone** - we call it Rapid Resolution - phone support from a Sears representative. Think of us as a "talking owner's manual"
- Discount** of 25% from regular price of service and related installed parts not covered by the agreement; also, 25% off regular price of preventive maintenance check

Once you purchase the Repair Protection Agreement, a simple phone call is all that it takes for you to schedule service. You can call anytime day or night, or schedule a service appointment online.

The Repair Protection Agreement is a risk-free purchase. If you cancel for any reason during the product warranty period, we will provide a full refund. Or, a prorated refund anytime after the product warranty period expires. Purchase your Repair Protection Agreement today!

Some limitations and exclusions apply. For prices and additional information in the U.S.A. call 1-800-827-6655.

WARNING: This product contains chemicals, including lead, known to the State of California to cause birth defects or other reproductive harm. ***Wash hands after handling.***

Sears, Roebuck and Co.

Warranty

BBQ PRO GRILL WARRANTY

BBQ PRO One Year Limited Warranty

When installed, operated and maintained according to all supplied instructions, if this appliance fails due to a defect of purchase, call 1-800-4-MY-HOME® to arrange for free repair or replacement if repair is unavailable. For three years from the date of purchase, any burner that rust through will be replaced free of charge. After the first year from the date of purchase, you are responsible for the labor cost to have it installed.

All warranty coverage excludes igniter batteries and grill part paint loss, discoloration or surface rusting, which are either expendable parts that can wear out from normal use within the warranty period, or are conditions that can be the result of normal use, accident or improper maintenance.

All warranty coverage is void if this product is ever used while providing commercial services or if rented to another person.

This warranty covers ONLY defects in material And workmanship. Sears will NOT pay for:

1. Expendable items that can wear out from normal use within the warranty period, including but not limited to batteries, light bulbs and surface coatings or finishes.
2. A service technician to instruct the user in correct product installation, operation or maintenance.
3. A service technician to clean or maintain this product.
4. Damage to or failure of this product if it is not installed, operated or maintained according to the all instructions supplied with the product.
5. Damage to or failure of this product resulting from accident, abuse, misuse or use for other than its intended purpose.
6. Damage to or failure of this product caused by the use of detergents, cleaners, chemicals or utensils other than those recommended in all instructions supplied with the product.
7. Damage to or failure of parts or systems resulting from unauthorized modifications made to this product.

Disclaimer of implied warranties; limitation of remedies

Customer's sole and exclusive remedy under this limited warranty shall be product repair as provided herein. Implied warranties, including warranties of merchantability or fitness for a particular purpose, are limited to one year or the shortest period allowed by law. Sears shall not be liable for incidental or consequential damages. Some states and provinces do not allow the exclusion or limitation of incidental or consequential damages, or limitation on the duration of implied warranties of merchantability or fitness, so these exclusions or limitations may not apply to you.

This warranty applies only while this appliance is used in the United States.

This warranty gives you specific legal rights, and you may also have other rights which vary from state to state.

Sears, Roebuck and Co., Hoffman Estates, IL 60179

Keep this manual for future reference.

Conserve el presente manual para consultas futuras.

Precautions

WARNING

Failure to comply with these instructions could result in a fire or explosion that could cause serious bodily injury, death, or property damage.

WARNING

Your grill will get very hot. Never lean over the cooking area while using your grill. Do not touch cooking surfaces, grill housing, lid or any other grill parts while the grill is in operation, or until the gas grill has cooled down after use.

Failure to comply with these instructions may result in serious bodily injury.

WARNING

1. **Do not store or use gasoline or other flammable liquids or vapors in the vicinity of this or any other appliance.**
2. **An LP cylinder not connected for use shall not be stored in the vicinity of this or any other appliance.**

DANGER

If you smell gas:

1. **Shut off gas to the appliance.**
2. **Extinguish any open flame.**
3. **Open lid.**
4. **If odor continues, keep away from the appliance and immediately call your gas supplier or your fire department.**

Grill Installation Codes

The installation must conform with local codes or, in the absence of local codes, with either the national fuel gas code, ANSI Z 223.1/NFPA S4, Natural gas and propane installation code, CSA B149.1, or propane storage and handling code, B149.2, or the standard for Recreational vehicles, ANSI A 119.2, and CSA Z240 RV series recreational vehicle code, as applicable.

LP gas grill models are designed for use with a standard 20 lb. Liquid Propane Gas tank, not included with grill. Never connect your gas grill to an LP gas tank that exceeds this capacity.

A tank of approximately 12 inches in diameter by 18-1/2 inches high is the maximum size LP gas tank to use.

You must use an OPD gas tank which offers an Overfill Prevention Device.

This safety feature prevents the tank from being overfilled which can cause malfunction of the LP gas tank, pressure regulator and/or grill.

The LP gas tank must be constructed and marked in accordance with specifications of the U.S. Dept. of Transportation (DOT). In Canada, the LP gas tank must meet the National Standard of Canada ,CAN/CSA-B339 , Cylinders , spheres and Tubes for Transportation of Dangerous Goods and Commission .

1. The LP gas tank must have a shutoff valve, terminating in an LP gas supply tank valve outlet, that is compatible with a Type 1 tank connection device. The LP gas tank must also have a safety relief device that has a direct connection with the vapor space of the tank.
2. The tank supply system must be arranged for vapor withdraw.
3. The LP gas tank used must have a collar to protect the tank valve.

Proper Placement and Clearance of Grill

Never use your gas grill in a garage, porch, shed, breezeway or any other enclosed area. Your gas grill is to be used **outdoors only**, at least 24 inches from the back and side of any combustible surface. Your gas grill should not be used under overhead combustible construction . Do not obstruct the flow of ventilation air around the gas grill housing.

- Do not install this outdoor gas grill in or on recreational vehicles or boats
- Keep outdoor gas grill area clear and free from combustible materials, gasoline and other flammable vapors and liquids
- Do not obstruct the flow of combustion and ventilation air. Check for this each time prior to using grill.
- **Never** connect an unregulated LP gas tank to your gas grill. The gas pressure regulator assembly supplied with your gas grill is adjusted to have an outlet pressure of 11" water column (W.C.) for connection to an LP gas tank.
- Only use the pressure regulator and the hose assembly supplied with your gas grill. Replacement pressure regulators and hose assemblies must be those specified in this manual.

- Have your LP gas tank filled by a reputable propane gas dealer and visually inspected and re-qualified at each filling.
- Do not store a spare LP gas tank under or near this appliance.
- Never fill the tank beyond 80 percent full . If this information is not followed exactly a fire causing death or serious injury may occur.
- Always keep LP gas tanks in an upright position.
- Do not store or use gasoline or other flammable vapors and liquids in the vicinity of this gas grill.
- Do not subject the LP gas tank to excessive heat.
- Never store an LP gas tank indoors. If you store your gas grill in the garage or other indoor location, **always** disconnect the LP gas tank first and store it safely outside.



Always keep the LP cylinder at 90° (upright) orientation to provide vapor withdraw.

- Place dust cap on cylinder valve outlet whenever the cylinder is not in use. Only install the type of dust cap on the cylinder valve outlet that is provided with the cylinder valve. Other types of caps or plugs may result in leakage of propane.
- LP gas tanks must be stored outdoors in a well-ventilated area and out of reach of children. Disconnected LP gas tanks must not be stored in a building, garage or any other enclosed area.
- When your gas grill is not in use the gas must be turned off at the LP gas tank.
- The pressure regulator and hose assembly must be inspected before each use of the grill. If there is excessive abrasion or wear or if the hose is cut, it must be replaced prior to the grill being used again.
- Keep the gas pressure regulator hose away from hot grill surfaces and dripping grease. Avoid unnecessary twisting of hose. Visually inspect the hose prior to each use for cuts, cracks, excessive wear or other damage. If the hose appears damaged do not use the gas grill. Call 1-800-4-MY-HOME for a replacement hose.
- **Never** light your gas grill with the lid closed or before checking to ensure the burner tubes are fully seated over the gas valve orifices.
- **Never** allow children to operate your grill.



WARNING

A strong gas smell, or the hissing sound of gas indicates a serious problem with your gas grill or the LP gas tank. Failure to immediately follow the steps listed below could result in a fire or explosion that could cause serious bodily injury, death, or property damage.

- Shut off gas supply to the gas grill.
- Turn the control knobs to OFF position.
- Put out any flame with a proper fire extinguisher.
- Open Grill Lid.
- Get away from the LP gas tank.
- Do not try to fix the problem yourself.
- If odor continues or you have a fire you can not extinguish, call your fire department. Do not call near the LP gas tank because your telephone is a form of electrical device and could create a spark resulting in fire and/or explosion.

NOTE: The normal flow of gas through the pressure regulator and hose assembly can create a humming noise. A low volume of noise is perfectly normal and will not interfere with operation of the grill. If humming noise is loud and excessive you may need to purge air from the gas line or reset the pressure regulator excess gas flow device. This purging procedure should be done every time a new LP gas tank is connected to your grill. For help with this procedure refer to page 7, Item 4 of "If Grill Still Fails To Light", or call the Grill Information Center at 1-800-4-MY-HOME.

CAUTION: Beware of Flash-Back

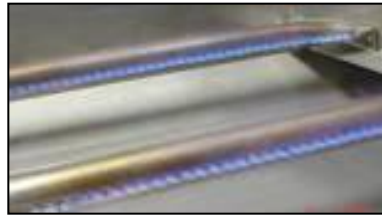
CAUTION: Spiders and small insects occasionally spin webs or make nests in the grill burner tubes during transit and warehousing. These webs can lead to gas flow obstruction which could result in a fire in and around burner tubes. This type of fire is known as "FLASH-BACK" and can cause serious damage to your grill and create an unsafe operating condition for the user.

Although an obstructed burner tube is not the only cause of "FLASH-BACK", it is the most common cause.

To reduce the chance of "FLASH-BACK", you must clean the burner tubes before assembling your grill, and at least once a month in late summer or early fall when spiders are most active. Also perform this burner tube cleaning procedure if your grill has not been used for an extended period of time.

See Cleaning Burner Tubes and Ports on page # 11.

Burner Flame Check



Visually check the burner flames prior to each use. The flames should look like picture, if they do not, refer to the cleaning burner tubes and ports, see page 11 of this manual.

Checking for LP gas leaks

Never test for leaks with a flame. Prior to first use, at the beginning of each season, or every time your LP gas tank is changed, you must check for gas leaks.

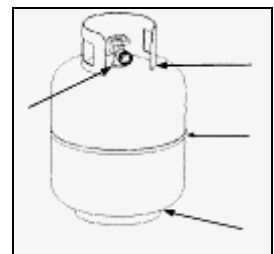
1. Make a 50/50 (soap/water) mild soap solution.
2. Turn the control knobs to full OFF position; then turn gas ON at supply tank.
3. Apply the soap solution with a clean brush to all gas connections. See below. If growing bubbles appear in the solution the connections are not properly sealed. Check each fitting and tighten or repair as necessary.

Gas Connection Leak Check



4. If you have a gas connection leak you cannot repair, turn gas OFF at supply tank, disconnect fuel line from your grill and call 1-800-4-MY-HOME or your gas supplier for repair assistance.
5. Also apply soapy solution to the tank seams. See below. If growing bubbles appear, shut tank OFF and do not use or move it! Contact an LP gas supplier or your fire department for assistance.

Gas Tank Leak Check



Grill Lighting Instruction


Grill Lighting Instructions for Main Burners

1. Do not smoke while lighting grill or checking gas supply connections.
2. Be sure that LP gas tank is sufficiently full.




WARNING

Failure to open grill lid during the lighting procedure could result in a fire or explosion that could cause serious bodily injury, death, or property damage.

3. Be sure all gas connections are securely tightened.
4. Turn on gas supply.
5. Open the grill main lid.
6. Push and turn any main burner control knob to  /HIGH, at the same time, press and hold electronic ignition button to light the burner. Once the burner is lit, release the electronic ignition button and knob.




7. If the burner does not light after 5 seconds, turn knob to OFF. Turn gas OFF at LP tank and wait 5 minutes for gas to clear. Then turn gas ON at tank and repeat step 6.
8. If burner still does not light, see Match Lighting section and If Grill Still Fails to Light section on following page.
9. To light additional burners, turn burner knob(s) to  /HIGH. Push and hold electronic ignition button to light burner. Adjust knob(s) to desired setting.

USING THE SIDE BURNER:

Inspect the gas supply hose prior to turning the gas "ON". If there is evidence of cuts, wear or abrasion, it must be replaced prior to use. Do not use the side burner if the odor of gas is present. **WARNING: Always keep your face and body as far away from the burner as possible when lighting.**

LIGHTING INSTRUCTIONS FOR SIDE BURNER

1. Make sure the lid is open.
2. Push and slowly turn the Side Burner knob to  /HIGH at the same time, press and hold electronic ignition button to light the burner. Once the burner is lit, release the electronic ignition button and knob.
3. If burner does not light within 5 seconds, turn the knob to OFF position and repeat the lighting procedure.
4. If burner fails to light after step 3, turn the knob to OFF position, wait 5 minutes, then repeat the lighting procedure or light by match.

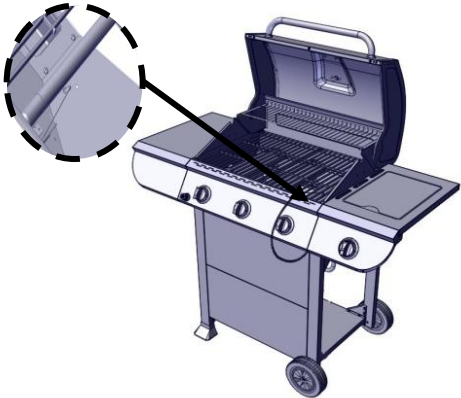


⚠ WARNING

Never lean over the grill cooking area while lighting your gas grill. Keep your face and body a safe distance (at least 18 inches) from the cooking grid surface when lighting your grill by match.

Match light

- If the burner will not light after several attempts then the burner can be match lit, before using the match allow 5 minutes for any accumulated gas to dissipate.
- Clip a paper match on one end of the lighting rod.
- Light match.
- Hold lighting rod and insert lighted match right next to the burner ports or ceramic file.
- Push and turn the designated control knob to ⚡ /HIGH.
- Burner should ignite immediately.



⚠ WARNING

Should a “FLASH-BACK” fire occur in/or around the burner tubes, follow the instructions below. Failure to comply with these instructions could result in a fire or explosion that could cause serious bodily injury, death, or property damage.

- Shut off gas supply to the gas grill.
- Turn the control knobs to OFF position.
- Put out any flame with a proper fire extinguisher.
- Open grill lid.
- Once the grill has cooled down, clean the burner tubes and burners according to the cleaning instructions found on page 11.

If Grill Still Fails To Light

1. Check gas supply and connections for leaks. Check that all wire connections are secure.

2. Repeat basic lighting procedure. If your grill still fails to operate, turn the gas off at source, turn the control knobs to OFF, then check the following:

- Misalignment of burner tubes over orifices

Correction: Reposition burner tubes over orifices.

- Plugged orifice

Correction: Remove burners from grill, carefully lift each burner up and away from gas valve orifice. Remove the orifice from gas valve and gently clear any obstruction with a fine wire. Then reinstall all orifices, burners, and cooking components.

3. If an obstruction is suspected in grill burner valves, please call for repair service at 1-800-4-MY-HOME.

4. If the grill still does not light you may need to purge air from the gas line or reset the pressure regulator excess gas flow device. **Note:** This procedure should be done every time a new LP gas tank is connected to your grill.

To purge air from your gas line and/or reset the pressure regulator excess gas flow device:

- Turn all control knobs to the OFF position.
- Turn off the gas at the tank valve.
- Disconnect pressure regulator from LP gas tank.
- Let unit stand for 5 minutes.
- Reconnect pressure regulator to the LP gas tank.
- Turn the tank valve on slowly until ¼ to ½ open.
- Open the grill lid.
- Push and turn any control knob to ⚡ .
- Turn control knobs to ⚡ until all the burners are lit
- You may start to use the grill

5. If all checks or corrections have been made and you still have questions about operating your gas grill, call the **Grill Information Center at 1-800-4-MY-HOME**

Cooking Instructions



WARNING

Do not leave the grill unattended.

Your grill will get very hot. Never lean over the cooking area while using your grill. Do not touch cooking surfaces, grill housing, Grill Lid or any other grill parts while the grill is in operation, or until the grill has cooled down after use. Failure to comply with these instructions may result in serious bodily injury.

Burn-off

Before cooking on your gas grill for the first time, you will want to “burn off” the grill to eliminate any odor or foreign matter. Just ignite the burners, lower the Lid, and operate grill on the HIGH setting for 3 to 5 minutes.

Cooking Temperatures

High setting: Only use this setting for fast warm-up, searing steaks or chops and for burning food residue off the grill after cooking is complete. **Never** use the HIGH setting for extended cooking.

Medium to Low Settings: Most recipes specify medium to low settings, including all smoking, rotisserie cooking and for cooking lean cuts such as fish.

NOTE: Temperature settings will vary with the temperature and the amount of wind outside your home.

Direct Cooking

The direct cooking method can be used with the supplied cooking grids and food placed directly over the lit grill Burners. The method is ideal for searing and whenever you want meat, poultry or fish to have an open-flame barbecued taste. Deep frying and smoking are also best cooked in this manner because they require direct heat.



WARNING

Do not line the bottom of the grill housing with aluminum foil, sand or any substance that will restrict the flow of grease into the grease tray. Failure to comply with these instructions could result in a fire or explosion which could cause serious bodily injury, death, or property damage.

Indirect Cooking

To cook **indirectly**, the food should be placed on the left or right side of your grill with the burner lit on the opposite side.

Flare-ups

The fats and juices dripping from grilled food can cause flare-ups. Since flare-ups impart a favorably, distinctive taste and color to food cooked over an open flame, they should be accepted up to a point. Nevertheless, uncontrolled flaring can result in a ruined meal.

Congratulations

Your BBQ PRO gas grill is now ready for use. Before the first use and at the beginning of each season (and whenever the LP gas tank has been changed):

1. Read all safety, lighting and operating instructions.
2. Check gas valve orifices, burner tubes and burner ports for any obstructions.
3. Perform gas leak check according to instructions found on next page of the manual.

Important

Before cooking on your grill the first time, wash cooking grids and cooking rack with warm, soapy water. Rinse and dry thoroughly. Season with cooking oil regularly. After cooking is completed, turn grill to HIGH setting for 3 to 5 minutes to burn off excess grease or food residue.

DISCONNECTING THE LIQUID PROPANE CYLINDER

Turn the grill burner valves “OFF” and make sure the grill is cool.

Turn the Liquid Propane Cylinder valve “OFF” by turning clockwise until it stops.

Detach the pressure regulator assembly from the cylinder valve by turning the quick coupling nut counterclockwise.

Place dust cap on cylinder valve outlet whenever the cylinder is not in use. Only install the type of dust cap on the cylinder valve outlet that is provided with the cylinder valve. Other types of caps or plugs may result in leakage of propane.

Grill Cooking Chart

WARNING: To ensure that it is safe to eat, food must be cooked to the minimum internal temperatures listed in the table below.

USDA* Safe Minimum Internal Temperatures	
Fish	145° F
Pork	160° F
Egg Dishes	160° F
Steaks and Roasts of Beef, Veal or Lamb	145° F
Ground Beef, Veal or Lamb	160° F
Whole Poultry (Turkey, Chicken, Duck, etc.)	165° F
Ground or Pieces Poultry (Chicken Breast, etc.)	165° F

* United States Department of Agriculture

FOOD	Weight or thickness	Temperature	Time	Special instructions and tips
Vegetables	NA	Medium	8 to 20 minutes	Slice or chop vegetables and dot with butter or margarine. Wrap tightly in heavy duty foil. Grill turning occasionally.
Potatoes	Whole	Medium	40 to 60 minutes	Wrap individually in heavy duty foil. Cook rotating occasionally.
Meat/Steaks	1/2 to 3/4 inches	High-Medium	4 to 15 minutes	Pre heat grill for 15-20 minutes then sear steaks on each side for two minutes. Next grill 3 to 5 minutes on each side or until desired doneness.
Ground Meats	1/2 to 3/4 inches	Medium	8 to 15 minutes	Grill turning once when juices rise to the surface or until desired amount of doneness. Do not leave hamburgers unattended since a flare-up could occur quickly.
Ribs	1/2 or full rack	Medium	20 to 40 minutes	Grill turning occasionally. During last few minutes brush with barbecue sauce, turn several times.
Hot dogs	NA	Medium	5 to 10 minutes	Grill turning four times. 2-4 minutes on each of four sides.
Poultry-Cut	1/4 to 1/2 pounds	Low or Medium	20 to 40 minutes	Grill turning occasionally. During last few minutes brush with barbecue sauce if desired, turn several times.
Poultry Whole	2 to 3 pounds	Low or	1 to 1-1/2 hours	Use poultry stand and brush frequently as desired
		Medium	40 to 60 minutes	Use poultry stand and brush frequently as desired
Fish	3/4 to 1 inch	Medium	8 to 15 minutes	Grill turning once to desired doneness. Brush with melted butter, margarine or oil.

Cleaning and Maintenance

To ensure a proper working unit the following proper care and maintenance is suggested.

Cleaning Cooking Grids

We suggest you wash your cooking grids in a mild soap and warm water solution. You can use a wash cloth or soft brush to clean your cooking grids.

Cleaning Heat Diffusers

Periodically you should wash the heat diffusers in a soap and warm water solution. Use a soft brush to remove stubborn burnt-on cooking residue. The heat diffusers should be dry before you reinstall them.

Cleaning Grease Tray

The grease tray should be emptied and wiped down periodically and washed in a mild detergent and warm water solution. Check the grease tray frequently, don't allow excess grease to accumulate and overflow out of the grease tray.

Annual Cleaning of Grill Interior

Burning-off the grill after every use will keep it ready for your next use. However, once a year you should give the entire grill a thorough cleaning to keep it in top operating condition. Follow these steps.

1. Turn all burner valves to full OFF position.
2. Turn LP gas tank valve to full OFF position.
3. Detach LP gas hose and pressure regulator assembly from your gas grill. Inspect for any damage and replace as necessary with manufacturer replacement part number found on parts list.
4. Remove and clean heat diffusers, cooking grids and grill burners.
5. Cover each gas valve orifice with aluminum foil.
6. Brush inside and bottom of grill with a nylon brush, and wash with a mild soap and warm water solution. Rinse thoroughly and let dry.
7. Remove the aluminum foil, then reinstall heat diffusers, and cooking grids.
8. Reconnect gas source and observe burner flame for correct operation.

Cleaning Exterior Surface

We suggest you wash your grill using a mild soap and warm water solution. You can use a wash cloth or sponge for this process. Do not use abrasives or a brush that might remove finish during the cleaning process.

Cleaning Exterior Stainless Steel Surfaces

Weathering and extreme heat can cause exterior stainless steel surfaces to turn tan in color. Machine oils used in manufacturing process of stainless steel can also cause this tanning color. Use a stainless steel cleaner to polish stainless steel surfaces of your grill. Never use abrasive cleaners or scrubbers because they will scratch and damage your grill.

Cleaning Burner Tubes and Burner Ports

To reduce the chance of "FLASH-BACK" the procedure below should be followed at least once a month in late summer or early fall when spiders are most active or when your grill has not been used for a period of time.

1. Turn all burner valves and gas tank valve to off position.
2. Detach the LP gas pressure regulator assembly from your gas grill.
3. Remove cooking grids, heat diffusers, and grease tray from the grill.
4. Remove the R clip from the burner and lift the burners up and away from the gas valve orifice.
5. Using a bent stiff wire in the shape of a hook, air hose or a bottle brush, run it through the burner tube and inside several times to remove any debris.
6. Replace burners, see illustration below.

Step 1. Replace R clip.

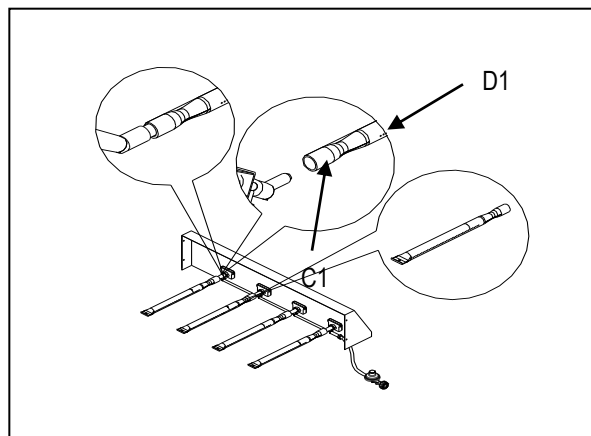
Step 2. Take off R clip which fixes burner at the end side.

Step 3. Locate the new burner onto the orifice.

(a) Insert the burner over the main burner gas valve .

(b) Make sure the orifice stud (C1) is inside the burner venture (D1) as shown in (Fig.23).

Step 4. Secure the main burner on the back wall use R clip, and fix on ignite wire.





WARNING

The location of the burner tube with respect to the orifice is vital for safe operation. Check to ensure the orifice is inside the burner tube before using the gas grill. If the burner tube does not fit over the valve orifice, lighting the burner may cause explosion and/or fire.

2. Clean any clogged ports with a stiff wire, such as an open paper clip.
3. Inspect each burner for damage (cracks or holes) and if such damage is found, order and install a new burner. After installation check to ensure that gas valve orifices are correctly placed inside the ends of the burner tubes.

Regardless of which burner cleaning procedure you use, we recommend you also complete the following steps to help prolong burner life.

1. Use a fiber pad or nylon brush to clean the entire outer surface of each burner until free of food residue and dirt.



WARNING

Spiders and insects can nest inside the burners of the grill and disrupt gas flow. This very dangerous condition could cause a fire behind the valve panel, thereby damaging the grill and making it unsafe for operation. Inspect the grill at least twice a year.

Troubleshooting

BEFORE CALLING FOR SERVICE

If the grill does not function properly, use the following check list before calling for service.

You should inspect the burners at least once a year or immediately after any of the following conditions occur:

PROBLEMS	WHAT TO DO
Grill won't light when the control knob is rotated.	<p>Check to see if LP tank is empty.</p> <p>Clean wires and/or electrode by rubbing with alcohol and clean swab.</p> <p>Wipe with dry cloth.</p> <p>Make sure the wire is connected to electrode assembly.</p> <p>Do other burners on the unit operate?</p> <p>Check to see if other burners operate. If so, check the gas orifice on the malfunctioning burner for an obstruction.</p>
Burner flame is yellow or orange, in combination with the odor of gas.	Refer to Clean Burner Tubes and Burner Ports on page 11. If problem still exists, call 1-800-4-MY-HOME.
Low heat with knob in "HI" position.	<p>Is the fuel hose bent or kinked?</p> <p>Is the grill in a dusty area?</p> <p>Is there adequate gas supply available?</p> <p>If it is only one burner that appears low, does the orifice or burner need cleaning?</p> <p>Is the gas supply or gas pressure low?</p>

MANUFACTURER: Nexgrill Industries, Inc. 14050 Laurelwood Pl. Chino, CA 91710



19000580A0

MANUAL DEL USUARIO

BBQ PRO 3 QUEMADOR GAS PARRILLA CON QUEMADOR LATERAL

Código del producto: 20148/0-08675969-3

Código UPC: 044376284503

BBQ PRO No. De Modelo: 122.20148511

Fecha de compra: ___/___/___

Garantía-----	40
Precauciones de seguridad-----	41
Listado del contenido del paquete-----	44
Instrucciones de cocción-----	47
Tabla de cocción en la parrilla-----	48
Limpieza y mantenimiento-----	49
Localización y resolución de problemas-----	51
Diagrama de piezas-----	52
Listado de piezas-----	54

Acuerdos de protección por reparaciones

Felicitaciones por hacer una compra tan inteligente. Su nuevo producto BBQ PRO está diseñado y fabricado para que disfrute de años de uso digno de confianza. Pero como todos los productos, es posible que ocasionalmente necesite reparaciones. Por ello, tener un Acuerdo de Protección por Reparaciones puede ahorrarle dinero y evitar que el problema empeore.

Le presentamos el Acuerdo de Protección por Reparaciones * que contempla:

- Servicios profesionales** realizados por nuestros 10.000 especialistas en reparaciones
- Servicio ilimitado y sin cargo** en repuestos y mano de obra de todas las reparaciones cubiertas
- Reemplazo del producto** hasta \$1.500 si el producto cubierto no puede repararse
- Asistencia telefónica rápida** – lo llamamos Resolución Rápida – asistencia telefónica que brinda un representante de Sears. Piense en nosotros como si fuéramos un "manual del usuario parlante"
- Descuento** del 25% del precio regular de servicio y partes relacionadas instaladas no cubiertas por el acuerdo; además, 25% de descuento sobre el precio regular de la revisión de mantenimiento preventivo

Cuando adquiera el Acuerdo de Protección por Reparaciones, todo lo que necesita es hacer un simple llamado para programar un servicio para su dispositivo. Puede llamar en cualquier momento del día o de la noche, o programar por Internet una cita para que le brinden el servicio.

El Acuerdo de Protección por Reparaciones constituye una compra sin riesgos. Si lo cancela por cualquier motivo durante el periodo de garantía del producto, le devolveremos por completo su dinero. En caso contrario, podremos efectuar un reembolso proporcional en cualquier momento posterior al vencimiento del periodo de garantía.

¡Adquiera hoy mismo su Acuerdo de Protección por Reparaciones! **Se aplican ciertas limitaciones y exclusiones. Si desea conocer precios e información adicional en EE. UU., llame al 1-800-827-6655.**

Sears, Roebuck and Co.

GARANTÍA DE LA PARRILLA BBQ PRO

Un año de garantía limitada BBQ PRO

Cuando se instala, maneja y se le da mantenimiento de acuerdo a todas las instrucciones suministradas, si este aparato fallara debido a un defecto de compra, llame a 1-800-4-my-home® para arreglar una reparación gratuita o un reemplazo si no se puede reparar.

A partir de la fecha de compra y durante 3 años, todos los mecheros que se oxiden se reemplazarán sin costo alguno. Luego del primer año contado desde la fecha de compra, usted es responsable del costo de la mano de obra si desea que se lo instalen.

Ninguna garantía cubre las baterías del encendedor y la pérdida de pintura de las piezas de la parrilla, la pérdida de color o el óxido en la superficie, ya sea que se trate de piezas prescindibles que pueden desgastarse por el uso normal dentro del periodo de garantía o debido a condiciones que pueden surgir del uso normal del producto, de un accidente o del mantenimiento incorrecto.

Toda garantía será nula si este producto se llegara a usar para ofrecer servicios comerciales o si se rentara a otra persona.

Esta garantía SOLO cubre defectos en materiales y mano de obra. Sears NO PAGARÁ por:

1. Artículos reemplazables que puedan desgastarse con el uso normal dentro del periodo de garantía, por ejemplo, sin que sean todos, baterías, focos y revestimientos y acabados de superficies.
2. Un técnico de servicio que le enseñe al usuario la instalación, la operación y el mantenimiento correctos del producto.
3. Un técnico de servicio que limpie o le dé mantenimiento a este producto.
4. Daño o falla del producto si éste no se instala, opera ni recibe mantenimiento de acuerdo con todas las instrucciones suministradas con el producto.
5. Daño o falla de este producto causados por accidentes, abusos, maltratos o uso diferente al propósito destinado.
6. Daño o falla de este producto causados por el uso de detergentes, limpiadores, sustancias y utensilios que no sean los recomendados en todas las instrucciones suministradas con el producto.
7. Daño o falla de partes o sistemas causados por reparaciones no autorizadas hechas en este producto.

RENUNCIA A LAS GARANTÍAS IMPLÍCITAS; LIMITACIÓN DE ACCIONES Y RECURSOS LEGALES

El único y exclusivo recurso del cliente dentro de esta garantía limitada será la reparación del producto como se establece en la presente. Las garantías implícitas, como la garantía de comercialización o adecuación para un propósito determinado, están limitadas a un año o al periodo más corto permitido por la ley. Sears no será responsable de daños incidentales o consecuentes. En algunos estados y provincias no se permite la exclusión o limitación de daños incidentales o consecuentes, o la limitación en la duración de las garantías implícitas de comercialización o adecuación, por lo que esas exclusiones y limitaciones podrían no aplicarse en el caso de usted.

Esta garantía se aplica únicamente si este aparato se utiliza en Estados Unidos.

Esta garantía le brinda derechos legales específicos y es posible que goce de otros derechos que varían de un estado a otro.

Sears, Roebuck and Co., Hoffman Estates, IL 60179

ADVERTENCIA: Este producto contiene químicos, incluyendo plomo, que según el Estado de California es causante de defectos de nacimiento u otros daños reproductivos. **Lávese las manos después de manejar.**

Precauciones

ADVERTENCIA

En caso de que estas instrucciones no se cumplieran, ello podría dar como resultado un incendio o una explosión que podría causar lesiones corporales graves, la muerte o daños a la propiedad.

ADVERTENCIA

Su parrilla llegará a tener una temperatura muy elevada. Nunca se incline sobre el área de cocción mientras use la parrilla. No toque las superficies de cocción, la carcasa de la parrilla, la tapa o cualquier otra pieza de la parrilla mientras esta esté operando o hasta que la parrilla de gas se haya enfriado luego de usarla. **El incumplimiento de estas instrucciones puede dar como resultado lesiones corporales graves.**

ADVERTENCIA

1. **No almacene ni use gasolina u otros líquidos o vapores inflamables en las cercanías de este o cualquier otro dispositivo.**
2. **No se debe almacenar en las cercanías de este o cualquier otro dispositivo un cilindro de propano líquido (LP, por sus siglas en inglés) que no esté conectado para su uso.**

PELIGRO

En caso de que usted huelga gas :

1. **Cierre el suministro de gas del dispositivo.**
2. **Apague cualquier tipo de llama abierta.**
3. **Abra la tapa.**
4. **Si el olor persiste, manténgase alejado del dispositivo y llame inmediatamente a su proveedor del servicio de gas o al departamento de bomberos.**

Un tanque de 12 pulgadas de diámetro por 18½ pulgadas de alto aproximadamente es el tamaño máximo del tanque de gas LP para usar en la parrilla.

Debe usar un tanque de gas OPD que brinda un Dispositivo de Prevención por Sobrecarga.

Esta función de seguridad evita que el tanque se sobrecargue lo que puede ocasionar un funcionamiento incorrecto del tanque de gas LP, del regulador y/o de la parrilla.

El tanque de gas LP debe estar construido y marcado de acuerdo con las especificaciones del Departamento de Transporte de Estados Unidos (DOT, por sus siglas en inglés). En Canadá, el tanque de gas LP debe cumplir con las Normas Nacionales de Canadá, norma CAN/CSA-B339, sobre cilindros, esperas y tubos de la Comisión y Transporte de Mercadería Peligrosa.

1. El tanque de gas LP debe tener una válvula de cierre que cancele la salida del suministro de gas LP de la válvula del tanque y que sea compatible con un dispositivo de conexión para tanque Tipo 1. El tanque de gas LP también debe contar con un dispositivo de escape de seguridad que tenga una conexión directa con el espacio de vapor del tanque.
2. El sistema de suministro del tanque debe estar adaptado para la salida de vapores.
3. El tanque de gas LP debe tener un collarín que proteja la válvula del tanque.

Colocación correcta y espacio libre de la parrilla

Nunca use la parrilla de gas en un garaje, entrada, cobertizo, corredor o cualquier otro lugar cerrado. La parrilla de gas debe utilizarse **sólo al aire libre**, al menos 24 pulgadas desde la parte de atrás y del costado de cualquier superficie combustible. La parrilla de gas no debe utilizarse en una construcción combustible elevada.

Códigos de instalación de la parrilla

La instalación debe cumplir con los códigos locales o, en ausencia de ellos, con todo código de gas combustible a nivel nacional, norma ANSI Z 223.1/NFPA S4, el código de instalación para gas propano y gas natural, norma CSA B149.1 o el código de manipulación y almacenamiento de propano, norma B149.2, o las normas para vehículos recreativos, norma ANSI A 119.2, y el código de vehículos recreativos serie CSA Z240 RV, según corresponda.

Los modelos de parrilla de gas LP están diseñados para que se usen con un tanque de gas propano líquido de 20 lb, que no está incluido con la parrilla. Nunca conecte su parrilla de gas a un tanque de gas LP que supere esta capacidad.

- No obstruya el flujo de aire de la ventilación que se encuentra en la carcasa de la parrilla de gas.
- No instale esta parrilla de gas para exteriores en o sobre vehículos recreativos o botes
- Mantenga despejada y sin materiales combustibles, gasolina y demás vapores y líquidos inflamables el área donde se encuentra la parrilla para exteriores
- No obstruya el flujo de combustión y del aire de la ventilación. Controle esto con anterioridad cada vez que use la parrilla.
- **Nunca** conecte un tanque de gas LP sin regular a la parrilla de gas. El ensamble del regulador de gas que viene con su parrilla de gas está adaptado para que tenga una presión de salida de una columna de agua (W.C.) de 11" para la conexión a un tanque de gas LP.
- Sólo use el ensamble del regulador y la manguera que viene con su parrilla de gas. Los ensambles de los reguladores y de la manguera de reemplazo deben ser los que se especifican en este manual.
- Haga llenar su tanque de gas LP por un distribuidor de gas propano de confianza, haga que le practiquen una inspección ocular y lo dejen en condiciones cada vez que llene el tanque.
- No guarde un tanque de gas LP de repuesto debajo de o cerca de este dispositivo.
- Nunca llene el tanque superando el 80 por ciento de la capacidad. Si esta instrucción no se cumpliera con exactitud, es posible que se produzca un incendio que ocasione la muerte o lesiones graves.
- Siempre mantenga los tanques de gas LP en una posición vertical.
- No almacene o use gasolina u otros vapores o líquidos inflamables en las cercanías de esta parrilla de gas.
- No someta el tanque de gas LP a un calor excesivo.
- Nunca almacene en un ambiente cerrado un tanque de gas LP. Si usted guarda su parrilla de gas en el garaje o en otro lugar cerrado, **siempre** desconecte el tanque de gas LP en primer término y guárdelo afuera en un lugar seguro.



Conserve siempre el cilindro de propano líquido a 90° (vertical) para proporcionar la eliminación del vapor

- Coloque la tapa anti-polvo sobre la salida de la válvula del cilindro siempre que el mismo no esté en uso. Instale sólo el tipo de tapa anti-polvo sobre la salida de la válvula del cilindro que viene con la mencionada válvula. Otros tipos de tapas o tapones pueden causar fugas de propano.

- Los tanques de gas LP deben guardarse en exteriores, en áreas bien ventiladas y fuera del alcance de los niños. No deben guardarse los tanques de gas LP desconectados en viviendas, garajes o en cualquier otro tipo de lugar cerrado.
- Cuando su parrilla de gas no esté en uso, se debe cerrar el paso de gas en el tanque de gas LP.
- El ensamble del regulador y la manguera deben inspeccionarse con anterioridad cada vez que se use la parrilla. En caso de que exista abrasión o desgaste excesivo o si la manguera está cortada, se debe reemplazar antes de que se utilice la parrilla nuevamente.
- Mantenga la manguera del regulador de gas alejada de superficies calientes de la parrilla y que recolecten grasa. Evite la torsión innecesaria de la manguera. Haga una inspección visual de la manguera con anterioridad cada vez que use la parrilla para detectar cortes, rajaduras, desgaste excesivo u otros daños. Si la manguera pareciera estar dañada, no use la parrilla de gas. Llame al 1-800-4-MY-HOME para solicitar una manguera de reemplazo.
- **Nunca** encienda su parrilla de gas con la tapa cerrada o antes de controlar a fin de asegurarse si los tubos de los mecheros están colocados por completo en los orificios de las válvulas de gas.
- **Nunca** permita que los niños operen la parrilla.



ADVERTENCIA

Un fuerte olor a gas o un sonido siseante del gas indica un problema grave respecto de la parrilla de gas o el tanque de gas LP. En caso de que las siguientes instrucciones no se cumplieran, ello podría dar como resultado un incendio o una explosión que podría causar lesiones corporales graves, la muerte o daños a la propiedad.

- Cierre el suministro de gas de la parrilla.
- Gire las perillas de control a la posición de apagado (OFF).
- Apague cualquier tipo de llama con un extintor de incendios adecuado.
- Abra la tapa de la parrilla.
- Aléjese del tanque de gas LP.
- No intente solucionar el problema usted mismo.
- Si el olor persiste o tiene un incendio que no puede apagar, llame al departamento de bomberos de su área. No llame cerca del tanque de gas LP ya que el teléfono es una forma de dispositivo eléctrico y podría generar chispas que den como resultado un incendio y/o una explosión.

NOTA: El flujo normal de gas que va por el ensamble del regulador y la manguera puede causar un zumbido. Un volumen bajo de ruido es perfectamente normal y no interferirá con la operación de la parrilla. Si el zumbido es fuerte y excesivo, es posible que deba purgar el aire de la línea de gas o reajustar el dispositivo de flujo de gas en exceso del regulador. Este procedimiento de purga debe hacerse cada vez que se conecte un nuevo tanque de gas LP a la parrilla. Para obtener asistencia con este procedimiento, consulte la página 24, del título "En caso de que aún no se encienda la parrilla" o llame al Centro de Información sobre Parrillas al 1-800-4-MY-HOME.

PRECAUCIÓN: Tenga cuidado con los fogonazos

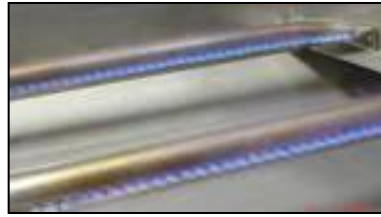
PRECAUCIÓN: Las arañas y los insectos pequeños pueden ocasionalmente tejer telillas o hacer nidos en los tubos de los mecheros de la parrilla durante el transporte o mientras están en el depósito. Estas telillas pueden causar obstrucciones en el flujo de gas que podrían hacer que se quemen los tubos de los mecheros y áreas circundantes. Este tipo de evento se lo conoce como "FOGONAZO" y puede causar graves daños a la parrilla y generar condiciones de operación riesgosas para el usuario.

Aunque el tubo de un mechero obstruido no es la única causa para que se genere un "FOGONAZO", es la más común.

A fin de minimizar las probabilidades de que ello ocurra, usted debe limpiar los tubos de los mecheros antes de armar la parrilla y luego por lo menos una vez al mes hacia el final del verano o a principios del otoño que es cuando las arañas tienen mayor actividad. Asimismo realice este procedimiento de limpieza si usted no ha usado la parrilla durante un tiempo prolongado.

Consulte la sección Limpieza de Tubos y Puertos de los Mecheros en la página 24.

Control de las llamas de los mecheros



Controle en forma visual las llamas de los mecheros antes de cada uso. Las llamas debe tener el aspecto que se observa en la imagen. En caso contrario, consulte la sección sobre limpieza de los tubos y puertos de los mecheros en la página 24 de este manual.

Verificación para detectar fugas de gas LP

Nunca haga pruebas para detectar fugas con una llama. Antes de usarla por primera vez, al comienzo de cada estación o cada vez que se cambie el tanque de gas LP, debe verificar el dispositivo para detectar fugas de gas.

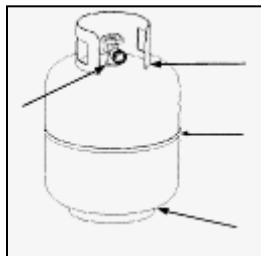
1. Haga una solución de jabón suave en partes iguales (50% agua/ 50% jabón).
2. Gire las perillas de control a la posición de apagado (OFF); luego abra el paso de gas (ON) en el tanque de suministro.
3. Aplique la solución jabonosa con un cepillo limpio en todas las conexiones de gas. Observe a continuación. Si aparecen formaciones de burbujas en la solución, las conexiones no están selladas apropiadamente. Verifique cada conexión y ajústelas o repárelas según sea necesario.

Verificación para la detección de fugas en la conexión de gas



4. Si tiene una fuga en la conexión de gas que no pueda reparar, cierre el paso de gas (OFF) en el tanque de suministro, desconecte la línea de combustible de la parrilla y llame al 1-800-4-MY-HOME o a su proveedor de servicios de gas para que lo asista en la reparación.
5. Asimismo, aplique la solución jabonosa en las juntas del tanque. Observe a continuación. Si aparecen formaciones de burbujas, cierre el tanque (OFF) y no lo use ni lo mueva. Contacte al proveedor especialista en gas LP o al departamento de bomberos de su localidad para obtener asistencia.

Verificación para la detección de fugas en el tanque de gas



Instrucciones de encendido de la parrilla

Instrucciones de encendido para los mecheros principales

1. No fume mientras enciende la parrilla o verifica las conexiones del suministro de gas.
2. Asegúrese de que el tanque de gas LP esté lo suficientemente lleno.



ADVERTENCIA

En caso de que no abra la tapa de la parrilla durante el procedimiento de encendido, ello podría dar como resultado un incendio o una explosión que podría causar lesiones corporales graves, la muerte o daños a la propiedad

3. Asegúrese de que todas las conexiones de gas están ajustadas de forma segura.
4. Abra el paso de suministro de gas.
5. Abra la tapa principal de la parrilla.
6. Empuje y gire la perilla de control del quemador principal a la posición /MÁXIMO, al mismo tiempo, mantenga pulsado el botón de encendido electrónico para encender el quemador. Una vez encendido, suelte el botón de encendido electrónico y la perilla.




7. Si el mechero no se enciende luego de 5 segundos, gire la perilla a posición de apagado (OFF). Apague el gas (OFF) del tanque LP y aguarde 5 minutos para que se despeje el gas. Luego encienda el gas (ON) en el tanque y repita el paso 6.
8. Si todavía el mechero no se enciende, consulte las secciones "Encendido con cerillo" y "Si no se puede encender la parrilla" en la siguiente página.
9. Para encender más mechero, gire la(s) perilla(s) del mechero a la posición de máximo. Presione y mantenga presionado el botón de encendido electrónico para encender el mechero. Ajuste la(s) perilla(s) en la posición deseada.

USO DEL MECHERO LATERAL:

Inspeccione la manguera del suministro de gas antes de abrir el paso del gas (ON). Si hubiera evidencias de cortes, desgaste o abrasión, debe reemplazarla antes de usar la parrilla. No use el mechero lateral si hubiera olor a gas.

ADVERTENCIA: Siempre mantenga su rostro y su cuerpo tan alejado como pueda del mechero al encenderlo.

INSTRUCCIONES DE ENCENDIDO PARA EL MECHERO LATERAL


1. Abra por completo la tapa del mechero lateral.
 2. Empuje y gire la perilla de control del quemador principal a la posición  /MÁXIMO, al mismo tiempo, mantenga pulsado el botón de encendido electrónico para encender el quemador. Una vez encendido, suelte el botón de encendido electrónico y la perilla.
 3. Si el mechero lateral no se enciende luego de 5 segundos, gire la perilla a posición de apagado (OFF). Apague el gas (OFF) del tanque LP y espere 5 minutos para que se despeje el gas. Luego encienda el gas (ON) del tanque y repita el paso 2.
1. Si todavía el mechero no se enciende, consulte las secciones "Encendido con cerillo" y "Si no se puede encender la parrilla" en la siguiente.

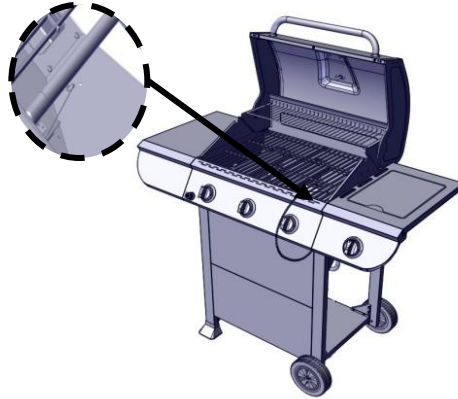


ADVERTENCIA

Nunca se incline sobre el área de cocción de la parrilla mientras encienda la parrilla de gas. Mantenga su rostro y su cuerpo a una distancia segura (como mínimo, 18 pulgadas) de la superficie de la rejilla de cocción cuando encienda la parrilla con un cerillo.

Encendido manual de la parrilla con un cerillo

1. Coloque un cerillo en la varilla de encendido manual.
2. Siga los pasos 1 a 5 del Procedimiento de Encendido Básico.
3. Encienda el cerillo y extienda la varilla de encendido hasta la superficie de la rejilla de cocción.
4. Gire la perilla de control que desee hasta la posición de  máximo para liberar la salida del gas. El mechero debe encenderse de inmediato.



ADVERTENCIA

En caso de que ocurriera un "FOGONAZO" en o cerca de los tubos de los mecheros, siga las siguientes instrucciones. En caso de que estas instrucciones no se cumplieran, ello podría dar como resultado un incendio o una explosión que podría causar lesiones corporales graves, la muerte o daños a la propiedad.

- Cierre el suministro de gas de la parrilla.
- Gire las perillas de control a la posición de apagado (OFF).
- Apague cualquier tipo de llama con un extintor de incendios adecuado.
- Abra la tapa de la parrilla.
- Cuando la parrilla se haya enfriado, limpie los tubos del mechero y los mecheros según las instrucciones de limpieza que están en la página 24.

Si no se puede encender la parrilla

1. Verifique el suministro y las conexiones de gas para detectar fugas. Verifique que la totalidad de las conexiones de cables sean seguras.

2. Repita el procedimiento de encendido básico. Si todavía la parrilla no funciona, apague la fuente de gas, gire las perillas de control a la posición de apagado (OFF), y verifique lo siguiente:

- Alineación errónea de los tubos de los mecheros sobre los orificios

Corrección: vuelva a posicionar los tubos de los mecheros sobre los orificios.

- Orificio tapado

Corrección: quite los mecheros de la parrilla, con cuidado levante cada uno de los mecheros y aléjelos del orificio de la válvula de gas. Quite el orificio de la válvula de gas y con gentileza destape cualquier obstrucción con un alambre delgado. Luego vuelva a instalar todos los orificios, mecheros y componentes de cocción.

3. Si sospecha de que existe una obstrucción en las válvulas de los mecheros de la parrilla, llame para solicitar un servicio de reparación al 1-800-4-MY-HOME.

4. Si todavía la parrilla no enciende, es posible que deba purgar el aire de la línea de gas o reajustar el dispositivo de flujo de gas en exceso del regulador. **Nota:** Este procedimiento debe hacerse cada vez que se conecte un nuevo tanque de gas LP a la parrilla.

Para purgar el aire de la línea de gas y/o reajustar el dispositivo de flujo de gas en exceso del regulador:

- Gire todas las perillas de control a la posición de apagado (OFF).
- Cierre el paso del gas de la válvula del tanque.
- Desconecte el regulador del tanque de gas LP.
- Deje a la unidad reposar durante 5 minutos.
- Vuelva a conectar el regulador al tanque de gas LP.
- Abra la válvula del tanque lentamente hasta que esté abierta en un nivel de 1/4 a 1/2.
- Abra la tapa de la parrilla.
- Presione y gire cualquiera de las perillas de control a la posición de máximo (HIGH).
- Gire las perillas de control a la posición de máximo (HIGH) hasta que todos los mecheros estén encendidos.
- Puede comenzar a usar la parrilla

5. Si se han realizado todas las operaciones de verificación y corrección y aún tiene consultas sobre la operación de su parrilla de gas, llame al **Centro de Información sobre Parrillas al 1-800-4-MY-HOME.**

Felicitaciones

Su parrilla de gas BBQ PRO ya está lista para usarse. Antes de usarla por primera vez y al principio de cada estación (y siempre que se haya cambiado el tanque de gas LP):

1. Lea todas las instrucciones relativas a la seguridad, el encendido y la operación del dispositivo.
2. Verifique los orificios de la válvula de gas, los tubos de los mecheros y los puertos de los mecheros para detectar todo tipo de obstrucciones.
3. Realice un control para detectar fugas de gas de acuerdo con las instrucciones que se encuentran en la siguiente página de este manual.

Importante

Antes de cocinar en su parrilla por primera vez, lave las rejillas y plataformas de cocción con agua caliente y jabonosa. Enjuáguelas y séquelas minuciosamente. Colóqueles aceite para cocinar en forma regular. Luego de que la cocción se termine, ponga la parrilla en la posición de máximo (HIGH) durante 3 a 5 minutos para quemar el exceso de grasa o los residuos de comida.

DESCONEXIÓN DEL CILINDRO DE PROPANO LÍQUIDO

Gire las válvulas del mechero de la parrilla a la posición de apagado (OFF) y asegúrese de que la parrilla esté fría. Gire la válvula del cilindro de propano líquido a la posición de apagado (OFF) girando las mismas en sentido de las agujas del reloj hasta que haga tope. Desprenda el ensamble del regulador de presión de la válvula del cilindro girando la arandela de acoplamiento rápido en sentido contrario de las agujas del reloj. Coloque la tapa para polvo sobre la salida de la válvula del cilindro cuando el cilindro no se use. Instale sólo el tipo de tapa para polvo en la salida de la válvula del cilindro que viene con dicha válvula. Otros tipos de tapas o tapones pueden dar como resultado fugas de propano.

Instrucciones de cocción



ADVERTENCIA

No deje la parrilla sin prestarle atención. Su parrilla llegará a tener una temperatura muy elevada. Nunca se incline sobre el área de cocción mientras use la parrilla. No toque las superficies de cocción ni la carcasa de la parrilla. Tampoco toque la tapa de la parrilla ni otras partes de la misma mientras la parrilla esté en funcionamiento o hasta que la parrilla se haya enfriado luego de su uso. El incumplimiento de estas instrucciones puede dar como resultado lesiones corporales graves.



ADVERTENCIA

No cubra la parte posterior de la carcasa de la parrilla con láminas de aluminio, arena o cualquier otra sustancia que limite el paso del flujo de grasa hacia la bandeja para grasa.

En caso de que estas instrucciones no se cumplieran, ello podría dar como resultado un incendio o una explosión que podría causar lesiones corporales graves, la muerte o daños a la propiedad.

Incineración

Antes de cocinar en su parrilla de gas por primera vez, usted deberá “incinerarla” para eliminar cualquier tipo de olor o material extraño. Encienda los mecheros, baje la tapa y ponga en funcionamiento la parrilla en una posición de máximo (HIGH) durante 3 a 5 minutos.

Temperaturas de cocción

Posición máxima: Use esta posición únicamente para calentar rápidamente, marcar los filetes o chuletas y para incinerar residuos de la parrilla luego de terminar de cocinar. **Nunca** use la posición máxima (HIGH) para cocciones prolongadas.

Posiciones media y baja: La mayoría de las recetas especifican uso de llama media a baja, incluso para ahumar, asar y cocinar cortes magro como el pescado.

NOTA: Las posiciones de la temperatura variarán con la temperatura y el nivel de viento que haya en el exterior de su casa.

Cocción directa

El método de cocción directa puede utilizarse con las rejillas de cocción que acompañan el producto y los alimentos se colocan directamente sobre los mecheros de la parrilla encendidos. Este método es ideal para marcar los alimentos y siempre que desee comer carne vacuna, pollo o pescado que tenga un sabor a asado hecho con llama abierta. El freído en profundidad y el proceso de ahumado se preparan mejor de esta manera porque necesitan calor directo.

Cocción indirecta

Para cocinar de forma **indirecta**, los alimentos deben colocarse en el lateral derecho o izquierdo de la parrilla con el mechero del lado opuesto encendido.

Llamarada

Las grasas y los jugos que caen de la comida asada pueden causar llamaradas. Dado que las llamaradas imparten un sabor y color favorablemente distintivo a la comida que se cocina con llama abierta, deben tolerarse hasta cierto punto. No obstante, las llamaradas sin controlar pueden dar como resultado en que la comida se eche a perder.

Tabla de cocción en la parrilla

ADVERTENCIA: Para asegurarse de que lo que se prepara para comer no conlleve riesgos, los alimentos deben cocinarse a un mínimo de temperatura interna que se detalla en la tabla siguiente.

Temperaturas seguras mínimas de cocción interna de la USDA*

Pescado	62,78° C/145° F
Cerdo	71,11° C/160° F
Platos con huevos	71,11° C/160° F
Filetes y asados de carne vacuna, de ternera o de cordero	62,78° C/145° F
Carne vacuna, de ternera o de cordero picada	71,11° C/160° F
Aves enteras (pavo, pollo, pato, etc.)	73,89° C/165° F
Carne de ave picada o partes de aves (pechuga de pollo, etc.)	73,89° C/165° F

*Departamento de Agricultura de Estados Unidos

Alimento	Peso o espesor	Temperatura	Tiempo	Instrucciones especiales y sugerencias
Vegetales	N/A	Media	De 8 a 20 minutos	Corte en rodajas o pique los vegetales y salpique con mantequilla o margarina Envuelva con firmeza una lámina resistente Cocínelos en la parrilla dándolos vuelta en forma ocasional.
Patatas	Enteras	Media	De 40 a 60 minutos	Envuelva cada patata con firmeza una lámina resistente Cocínelas rotándolas en forma ocasional.
Carnes/filetes	½ a ¾ pulgadas	Máxima - media	De 4 a 15 minutos	Caliente la parrilla previamente durante 15-20 minutos, luego marque los filetes de cada lado durante 2 minutos. Áselos de 3 a 5 minutos de cada lado o hasta el punto de cocción deseado.
Carnes picadas	½ a ¾ pulgadas	Media	De 8 a 15 minutos	Áselas dándolas vuelta cuando aparezcan los jugos en la superficie o hasta que el punto deseado de cocción. No deje de prestarles atención a las hamburguesas dado que podría ocasionarse una llamarada rápidamente.
Costillas	½ estante o todo el estante	Media	De 20 a 40 minutos	Cocínelos en la parrilla dándolos vuelta en forma ocasional. Durante los últimos minutos agregue salsa para asado. Deles vuelta varias veces.
Salchichas	N/A	Media	De 5 a 10 minutos	Áselas dándolas vuelta cuatro veces. Hágalo de 2-4 minutos de cada uno de los cuatro lados.
Cortes de aves	¼ a ½ libras	Baja o media	De 20 a 40 minutos	Cocínelos en la parrilla dándolos vuelta en forma ocasional. Durante los últimos minutos agregue salsa para asado si lo desea y deles vuelta varias veces.
Aves enteras	2 a 3 libras	Baja o	De 1 a 1 ½ horas	Use bases para aves y coloque salsa con la frecuencia deseada
		Media	De 40 a 60 minutos	Use bases para aves y coloque salsa con la frecuencia deseada
Pescado	¾ a 1 pulgada	Media	De 8 a 15 minutos	Áselo dándolo vuelta una vez hasta el punto de cocción deseado. Coloque una mezcla de mantequilla, de margarina o de aceite.

Para asegurarse de que la unidad funcione correctamente, se sugiere que se lleven a cabo las siguientes pautas de cuidado y mantenimiento apropiado.

Limpeza de las rejillas de cocción

Sugerimos que lave las rejillas de cocción con una solución hecha con jabón suave y agua tibia. Puede usar un paño de limpieza o un cepillo suave para limpiar las rejillas de cocción.

Limpeza de los difusores de calor

En forma periódica, debe lavar los difusores de calor con una solución hecha con jabón y agua tibia. Use un cepillo suave para sacar los residuos de cocción quemados rebeldes. Se deben secar los difusores de calor antes de que los vuelva a instalar.

Limpeza de la bandeja para grasa

La bandeja para grasa debe vaciarse, secarse en forma periódica y lavarse con una solución hecha con detergente suave y agua tibia. Verifique con frecuencia la bandeja para grasa, no permita que se acumule exceso de grasa y que haya desbordes en dicha bandeja.

Limpeza anual del interior de la parrilla

Incinerar la parrilla luego de cada uso la mantendrá lista para la próxima vez que la use. Sin embargo, usted debe una vez al año limpiar la parrilla a fondo para mantenerla en excelentes condiciones de funcionamiento. Siga estos pasos

1. Gire todas las válvulas de los mecheros a una total posición de apagado (OFF).
2. Gire la válvula del tanque de gas a una total posición de apagado (OFF).
3. Desprenda el ensamble de la manguera de gas LP y del regulador de la parrilla de gas. Haga una inspección para detectar cualquier tipo de daño y reemplace piezas según sea necesario según el número de pieza de reemplazo del fabricante que se encuentra en el listado de piezas
4. Quite y limpie los difusores de calor, las rejillas de cocción y los mecheros de la parrilla.
5. Cubra cada uno de los orificios de las válvulas de gas con lámina de aluminio.

6. Limpie con un cepillo de nylon el interior y la parte posterior de la parrilla y lávelos con una solución hecha con jabón suave y agua tibia.

Enjuáguelas minuciosamente y déjelas secar.

7. Quite las láminas de aluminio, vuelva a instalar los difusores de calor y las rejillas de cocción.

8. Vuelva a conectar la fuente de gas y observe la llama del mechero para ver si funciona correctamente.

Limpeza de las superficies externas

Sugerimos que lave la parrilla con una solución hecha con jabón suave y agua tibia. Puede usar para este procedimiento un paño de limpieza o una esponja. No use productos abrasivos o un cepillo que pueda levantar el acabado durante el proceso de limpieza.

Limpeza de las superficies externas de acero inoxidable

Las inclemencias del clima y el calor intenso pueden provocar que las superficies de acero inoxidable se pongan de un color canela. El aceite de máquina que se usa en el proceso de fabricación también puede causar este color canela. Utilice un limpiador para acero inoxidable para pulir las superficies de este material de su parrilla. Nunca utilice limpiadores abrasivos o estropajos porque rayarán y dañarán la parrilla.

Limpeza de los tubos y los puertos de los mecheros

Para reducir la posibilidad de "FOGONAZO", se debe cumplimentar el siguiente procedimiento por lo menos una vez al mes hacia fines del verano o a principios del otoño cuando las arañas tienen mayor actividad o cuando no haya utilizado la parrilla por un periodo prolongado.

1. Gire todas las válvulas de los mecheros y la válvula del tanque de gas a una posición de apagado.
2. Desprenda el ensamble del regulador de gas LP de la parrilla de gas.
3. Quite las rejillas de cocción, los difusores de calor y la bandeja para grasa de la parrilla.
4. Quite el broche R del mechero, levante y aleje los mecheros del orificio de la válvula de gas.
5. Con un alambre curvo resistente en forma de anzuelo, una manguera de aire comprimido o un cepillo cilíndrico, limpie por el tubo del mechero y en el interior del mismo varias veces para sacar todo tipo de residuo.
6. Vuelva a colocar los mecheros, observe la siguiente ilustración.

Paso 1. Reemplazar clip de R.

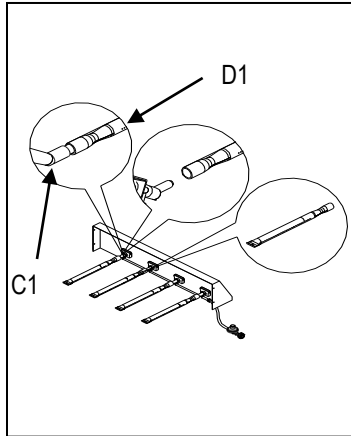
Paso 2. Quite el clip R que fija el mechero en el lateral del extremo.

Paso 3. Ubique el nuevo mechero en el orificio.

(a) insertar el quemador sobre la válvula principal de gas del quemador.

(b) Asegúrese de que el perno del orificio (C1) está dentro de la empresa grabadora (D1) como se muestra en(Fig.21).

Paso 4. Asegure el mechero principal en la pared trasera usando el clip R y asegure el cable de encendido.



ADVERTENCIA

La ubicación del tubo del mechero con respecto al orificio es fundamental para un funcionamiento sin riesgos. Verifique para asegurarse de que el orificio se encuentra adentro del tubo del mechero antes de usar la parrilla de gas. Si el tubo del mechero no encaja sobre el orificio de la válvula, al encenderse el mechero se puede provocar una explosión y/o incendio.

Independientemente de qué procedimiento de limpieza emplee, le recomendamos también realizar los siguientes pasos para ayudar a prolongar la utilidad del mechero.

1. Use una almohadilla de fibra o un cepillo de nylon para limpiar toda la superficie externa de cada uno de los mecheros hasta que no tengan residuos de comida ni suciedad.

2. Limpie los puertos obstruidos con un alambre resistente, como un clip para papel abierto.

3. Haga una inspección de cada mechero para detectar daños (rajaduras u hoyos) y en caso de que encuentre tal daño, solicite e instale un nuevo mechero. Luego de la instalación, verifique con el fin de asegurarse que los orificios de la válvula de gas se encuentran correctamente colocados en los extremos de los tubos de gas.



ADVERTENCIA

Los insectos y las arañas pueden hacer nidos dentro de los mecheros de la parrilla e interrumpir el flujo de gas. Esta situación extremadamente peligrosa podría causar que se prenda fuego detrás del panel de la válvula, por lo que dañaría la parrilla y haría insegura su operación. Inspeccione la parrilla al menos dos veces por año.

Localización y resolución de problemas

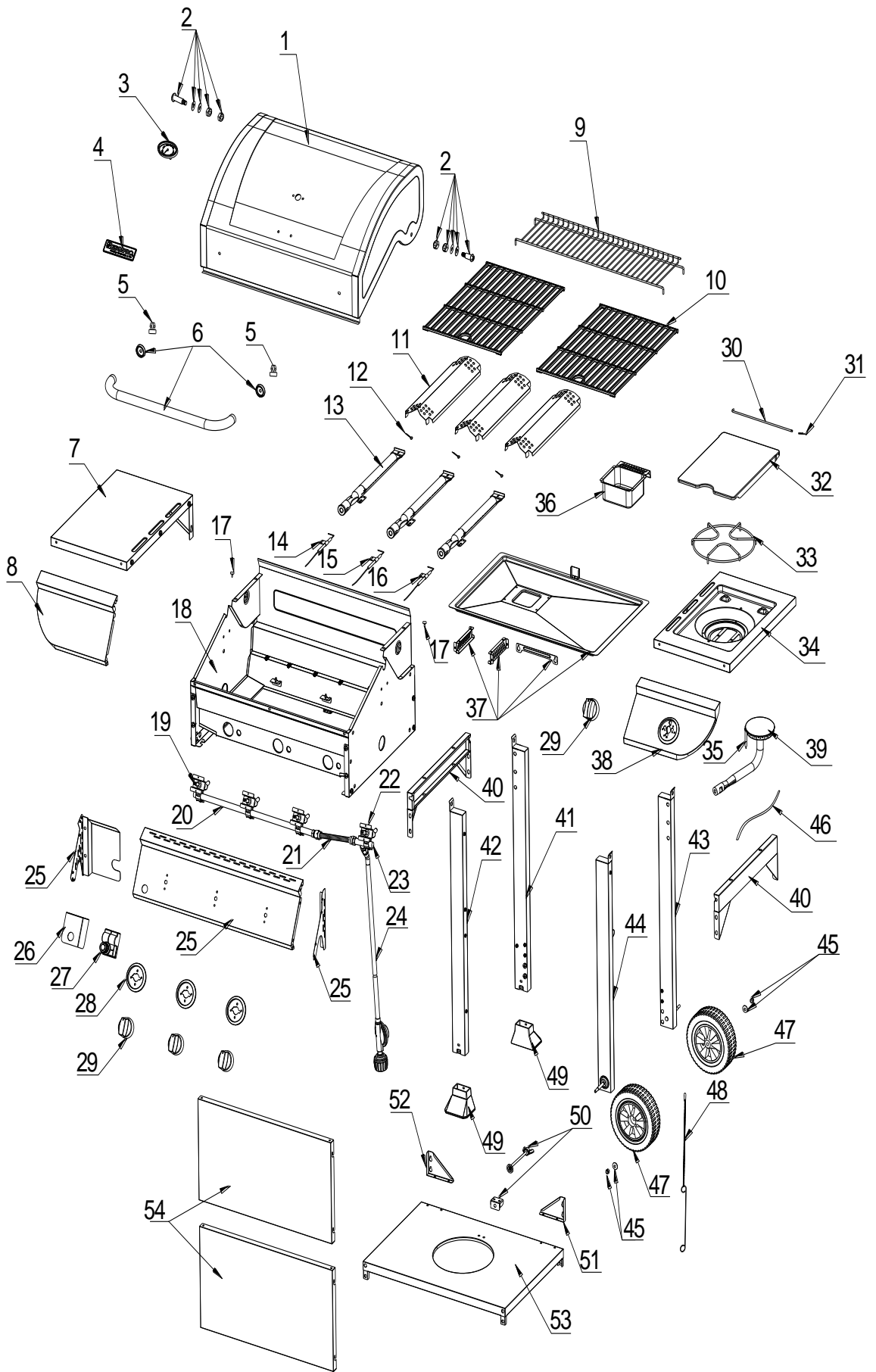
ANTES DE LLAMAR AL SERVICIO

Si la parrilla no funciona adecuadamente, emplee la siguiente lista de verificación antes de llamar para solicitar servicios.

Debe inspeccionar los mecheros una vez al año o inmediatamente después de que ocurra cualquiera de las siguientes situaciones :

PROBLEMAS	QUÉ HACER
La parrilla no enciende cuando se gira la perilla de control	<p>Verifique si el tanque LP está vacío.</p> <p>Limpie los cables y/o electrodos frotándolos con alcohol y un hisopo limpio.</p> <p>Limpie con un paño seco.</p> <p>Asegúrese de que el cable está conectado al ensamble del electrodo.</p> <p>¿Los otros mecheros de la unidad funcionan?</p> <p>Verifique si los otros mecheros funcionan. De ser así, verifique si el orificio de gas del mechero que funciona mal tiene una obstrucción.</p>
La llama del mechero es amarilla o naranja y también hay olor a gas.	<p>Consulte la sección Limpieza de los tubos y los puertos del mechero de la página 24. Si el problema persiste, llame al 1-800-4-MY-HOME.</p>
El nivel de calor en la posición máxima (HI) es bajo.	<p>¿La manguera de combustible está doblada o enrollada?</p> <p>¿La parrilla está en una zona polvorienta?</p> <p>¿Existe un suministro de gas adecuado disponible?</p> <p>Si sólo un mechero es el que tiene un nivel bajo, ¿el orificio o el mechero necesitan una limpieza?</p> <p>¿El suministro o la presión de gas tienen un nivel bajo?</p>

FABRICANTE:Nexgrill Industries, Inc.14050 Laurelwood Pl. Chino, CA 91710



Parts List

No.	Part No.	PART (Description)	Warranty	Qty	No.	Part No.	PART (Description)	Warranty	Qty
01	0894C-001	Main Lid	1	1	29	0894C-029	Control Knob	1	4
02	0894C-002	Main Lid Screw	1	2	30	0894C-030	Side Burner Lid Hinge Rod	1	1
03	0894C-003	Temperature Gauge	1	1	31	0894C-031	Side Burner Lid Hinge Rod Pin	1	1
04	0894C-004	Logo	1	1	32	0894C-032	Side Burner Lid	1	1
05	0894C-005	Hood Buffer A	1	2	33	0894C-033	Side Burner Cooking Grid	1	1
06	0894C-006	Main Lid Handle	1	1	34	0894C-034	Side Burner Bowl Assembly	1	1
07	0894C-007	Side Shelf	1	1	35	0894C-035	Side Burner Igniter Pin	1	1
08	0894C-008	Side Shelf control panel	1	1	36	0894C-036	Grease cup	1	1
09	0894C-009	Warming Rack	1	1	37	0894C-037	Grease Tray Assembly	1	1
10	0894C-010	Cooking Grid w/Hole	1	2	38	0894C-038	Side Burner Control Panel	1	1
11	0894C-011	Flame Tamer	1	3	39	0894C-039	Side Burner Pipe	1	1
12	0894C-012	R pin A	1	3	40	0894C-040	Cart Frame	1	2
13	0894C-013	Main Burner	3	3	41	0894C-041	Cart Leg Rear, Left	1	1
14	0894C-014	Main Burner Igniter Wire A	1	1	42	0894C-042	Cart Leg Front, Left	1	1
15	0894C-015	Main Burner Igniter Wire B	1	1	43	0894C-043	Cart Leg Rear, Right	1	1
16	0894C-016	Main Burner Igniter Wire C	1	1	44	0894C-044	Cart Leg Front, Right	1	1
17	0894C-017	Hood Buffer B	1	2	45	0894C-045	Wheel Screw Assembly	1	2
18	0894C-018	Main Burner Bowl Assembly	Non-replaceable	1	46	0894C-046	Side Burner ignition wire	1	1
19	0894C-019	Main Gas Valve	1	3	47	0894C-047	Wheel	1	2
20	0894C-020	Main Manifold	1	1	48	0894C-048	Lighting Rod	1	1
21	0894C-021	Side Burner Flex Gas Line	1	1	49	0894C-049	Cart Caster Insert	1	2
22	0894C-022	Side Burner Gas Valve	1	1	50	0894C-050	Tank Bolt	1	1
23	0894C-023	Side Manifold	1	1	51	0894C-051	Triangle Bracket, Right	1	1
24	0894C-024	Regulator, LP	1	1	52	0894C-052	Triangle Bracket, Left	1	1
25	0894C-025	Control panel	1	1	53	0894C-053	Cart Bottom Panel	1	1
26	0894C-026	Igniter Module Heat Shield	1	1	54	0894C-054	Cart Front Panel	1	2
27	0894C-027	Pulse Ignite Module	1	1			Manual	1	
28	0894C-028	Bizel	1	3			Hardware pack	1	

Listado de las piezas

REF #	Part No.	DESCRIPCIÓN	GARANTÍA	CANT	REF#	Part No.	DESCRIPCIÓN	GARANTÍA	CA NT.
01	0894C-001	Tapa principal	1	1	29	0894C-029	Perilla de control	1	4
02	0894C-002	Tornillo de la tapa principal	1	2	30	0894C-030	Tapa del mechero lateral	1	1
03	0894C-003	Medidor de temperatura	1	1	31	0894C-031	Parrilla del mechero de marcado lateral	1	1
04	0894C-004	Logotipo	1	1	32	0894C-032	Tapa del mechero lateral	1	1
05	0894C-005	Tope de la cubierta A	1	2	33	0894C-033	Rejilla de cocción del mechero lateral	1	1
06	0894C-006	Asiento del mango de la tapa principal	1	2	34	0894C-034	Ensamble del bol del mechero lateral	1	1
07	0894C-007	Estante lateral	1	1	35	0894C-035	Quemador lateral pasador de encendido	1	1
08	0894C-008	Panel delantero del estante lateral	1	1	36	0894C-036	Recipiente para grasa	1	1
09	0894C-009	Plataforma calentadora	1	1	37	0894C-037	Ensamble de la bandeja para grasa	1	1
10	0894C-010	Rejilla de cocción con agujeros	1	2	38	0894C-038	Panel de control del mechero lateral	1	1
11	0894C-011	Domador de llama	1	3	39	0894C-039	Tubo del mechero lateral	1	1
12	0894C-012	Perno R, A	1	4	40	0894C-040	Armazón del carro	1	2
13	0894C-013	Mechero principal	3	3	41	0894C-041	Pata trasera izquierda del carro	1	1
14	0894C-014	Cable A del encendedor del mechero principal	1	1	42	0894C-042	Pata delantera izquierda del carro	1	1
15	0894C-015	Cable B del encendedor del mechero principal	1	1	43	0894C-043	Pata trasera derecha del carro	1	1
16	0894C-016	Cable C del encendedor del mechero principal	1	1	44	0894C-044	Pata delantera derecha del carro	1	1
17	0894C-017	Tope de la cubierta B	1	2	45	0894C-045	Rueda Tornillo Asamblea	1	2
18	0894C-018	Ensamble de la cuba del mechero principal	No reemplazable	1	46	0894C-046	cable del encendedor del quemador lateral	1	1
19	0894C-019	Válvula de gas principal	1	3	47	0894C-047	Rueda	1	2
20	0894C-020	Colector principal	1	1	48	0894C-048	Varilla de encendido	1	1
21	0894C-021	Línea de gas flexible para el mechero lateral	1	1	49	0894C-049	Inserción de la roldana del carro	1	2
22	0894C-022	Válvula de gas del mechero lateral	1	1	50	0894C-050	Perno del tanque	1	1
23	0894C-023	Colector lateral	1	1	51	0894C-051	Abrazadera triangular derecha	1	1
24	0894C-024	Regulador, del propano líquido	1	1	52	0894C-052	Abrazadera triangular izquierda	1	1
25	0894C-025	Panel de control	1	1	53	0894C-053	carrito panel inferior	1	1
26	0894C-026	Encendedor módulo del protector del calor	1	1	54	0894C-054	carrito panel frontal	1	2
27	0894C-027	Módulo del encendedor de pulso	1	1			Manual	1	
28	0894C-028	Besil	1	3	54		Paquete de equipos	1	



sears

Made in/Hecho en CHINA

Distributed by Sears, Roebuck and Co., Hoffman Estates, IL 60179

See our extensive assortment of outdoor living products
on-line at www.sears.com and www.kmart.com