

PURCLEAN™

Spot-Free Rinse & Water Recovery Systems

Specifications

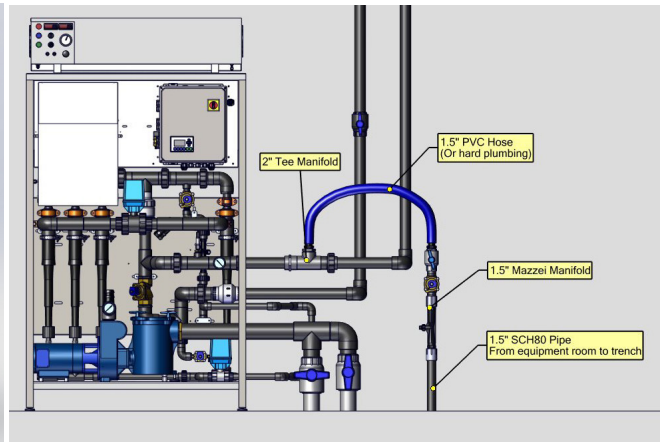
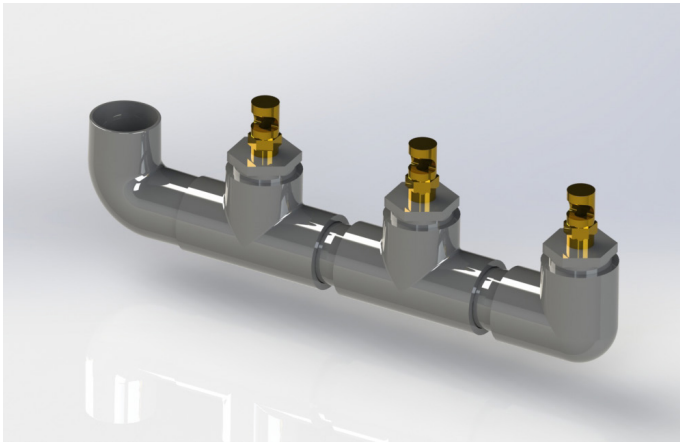
PURCLEAN™ ENHANCED TRENCH FLUSH

Features:

- Improved trench wash down cycle
- Helps reduce build up of debris and odor in the tunnel
- Time settings and options for run time

The PurClean Enhanced Trench Flush is designed to flow more water through a series of nozzles in the trench, to improve the wash down rinse cycle.

An injector valve allows ambient air into the water to help oxidize the water. This helps keep odors down, while the amount of water flushing through the trench keeps the debris down.



Specifications:

- Minimum 1-1/2" line from the equipment room to the trench
- Plug and play design incorporated with the PurClean reclaim system
- No additional power is required