

Project Name		Customer Name	
Quote Number		Date	
Customization			

Standard Features

Type	One-piece roll-in type shower stall. Available in left or right hand configuration.
Color	White
Exterior Dimensions	63"W x 34"D x 78-1/2"H
Materials	Gel coat and fiberglass composite
Approximate Weight	140 lbs

Certifications and Accessibility Code Compliance



Universal Plumbing Code



CSA B45.5-11 / IAPMO Z124-2017



ADA

ANSI

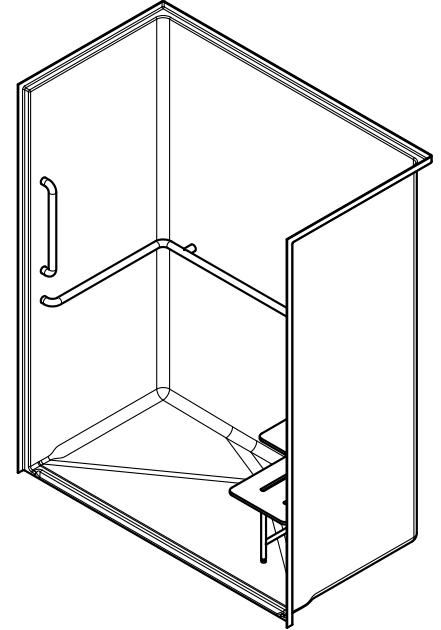
ICC A117.1 - 2017 ANSI Type A



California Title 24



HUD / FHA

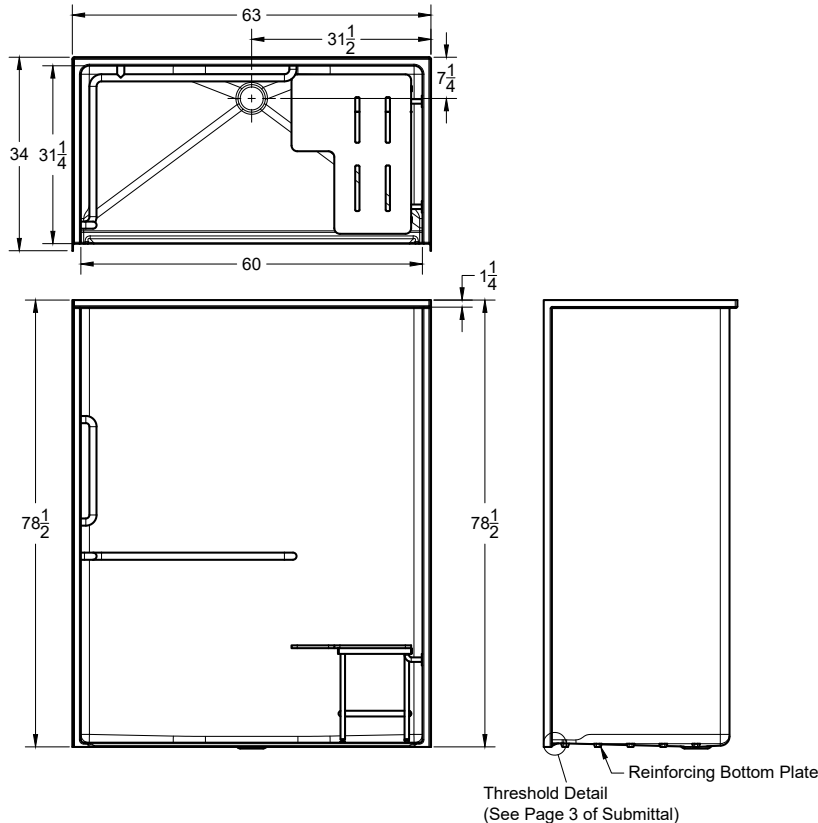


Warranty

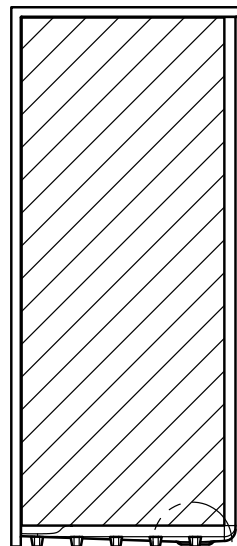
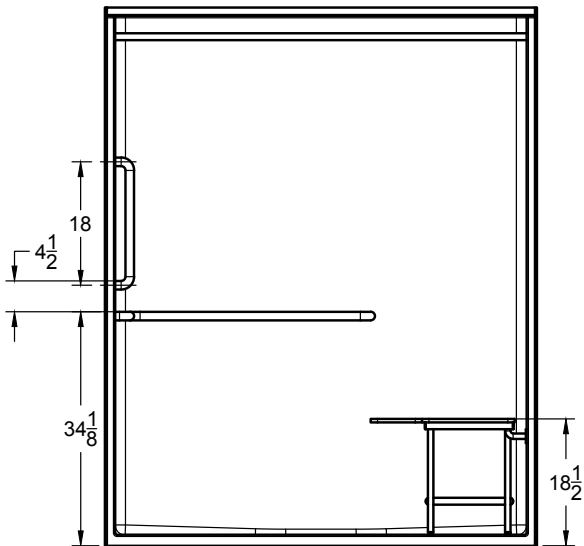
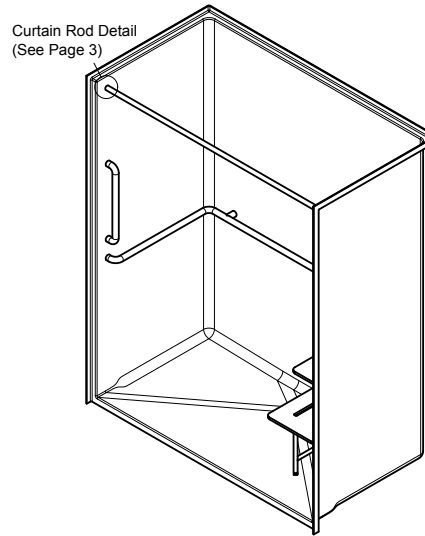
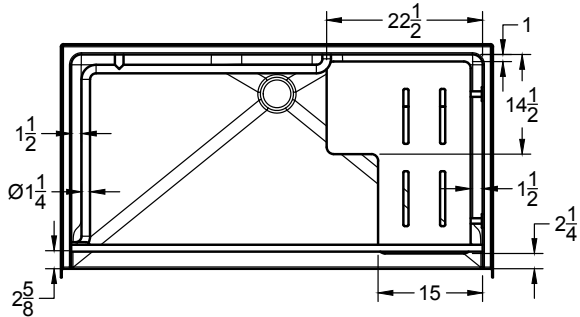
30 Year Limited

Reinforcement

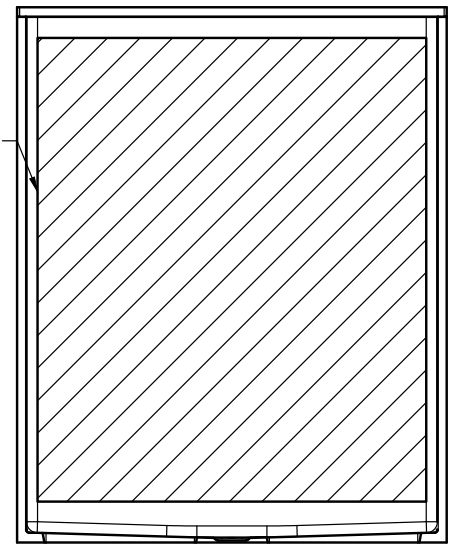
Fully reinforced with EverFab's unique composite core material which allows for factory or field installation of ADA compliant grab bars and seat



ADA Accessory Dimensions



Fully Reinforced with EverFab Core Material for factory or field installation of grab bars and seat

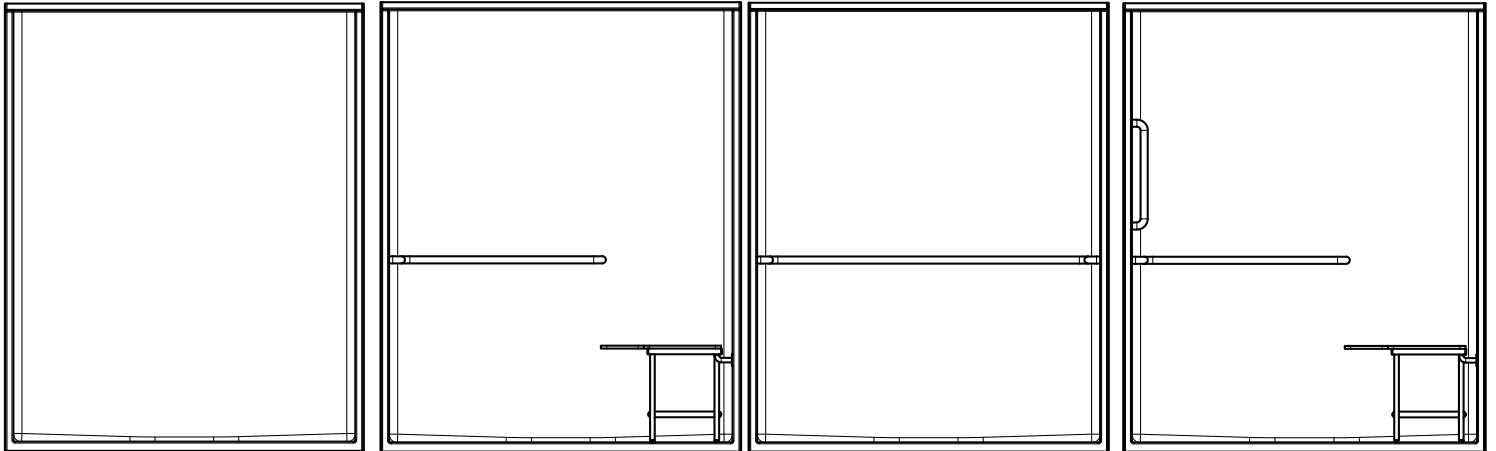


Architectural Specifications

A. Shower Stall:

1. Model: No. S6334A-L/R
2. Description: One-piece shower stall with reinforcing bottom plate, slip-resistant floor, and inorganic composite reinforcement for placement of grab bars and seat
3. Exterior dimensions: 63 inches wide x 34 inches deep x 78-1/2 inches high.
4. Trough-in: +1/8" -0" nominal dimensions
5. Threshold: [Standard] [Low Profile] [No-Recess] Threshold Detail
6. Accessibility Accessories: [A0] [A1] [A2] [A3] [Custom] accessory configuration
7. Optional Accessories: Furnish with [curtain rod], [shower curtain], [recessed soap dish], [composite corner shelf], [shower slide-bar kit], [EverFab Tub-wrap], [shower drain], [18" grab bar], [24" grab bar], [custom grab bar], [folding seat], [T-shaped EverDam]. If applicable, please indicate location of additional accessories on drawing
8. Accessory Style: [A0 - No Accessories], [Standard Thru-Bolted], [Flanged], [Elite Series], [Anti-Ligature], [Custom]
9. Accessory Finish: [A0 - No Accessories], [Standard Satin Stainless], [Matte Black], [Polished Stainless] [White], [Custom]

ADA Accessory Configurations (number following 'A' indicates configuration)



S6334A0

No Accessories

S6334A1-R

L-shaped grab bar
Seat

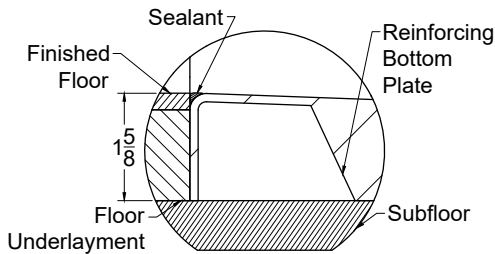
S6334A2

U-shaped grab bar

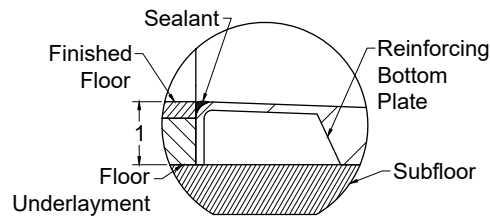
S6334A3-R

L-shaped grab bar
Seat
18" vertical grab bar

Threshold Details

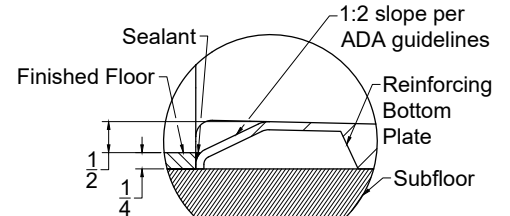


Standard



Low-Profile

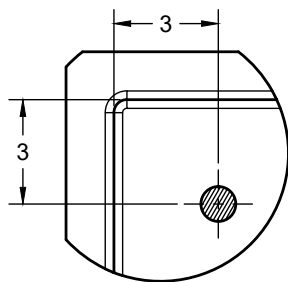
Model number followed with 'LP'



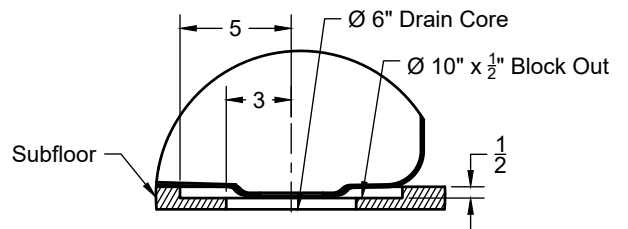
No-Recess

Model number followed with 'NR'

Additional Details



Standard Curtain Rod Location



Drain Block-Out

Standard Threshold Models

Model Number	Pre-Installed L-Shaped Grab Bar	Pre-Installed 18" Vertical Grab Bar	Pre-Installed U-Shaped Grab Bar	Pre-Installed Folding Seat	Drain Block Out Required	Accessibility Code Compliance
<input type="checkbox"/> S6334A0	No	No	No	No	No	Adaptable**
<input type="checkbox"/> S6334A1	Yes	No	No	Yes	No	ADA, CA Title 24, HUD/FHA
<input type="checkbox"/> S6334A2	No	No	Yes	No	No	ADA, CA Title 24, HUD/FHA
<input type="checkbox"/> S6334A3	Yes	Yes	No	Yes	No	ADA, ANSI, CA Title 24, HUD/FHA

Low Profile Threshold Models

Model Number	Pre-Installed L-Shaped Grab Bar	Pre-Installed 18" Vertical Grab Bar	Pre-Installed U-Shaped Grab Bar	Pre-Installed Folding Seat	Drain Block Out Required	Accessibility Code Compliance
<input type="checkbox"/> S6334A0LP	No	No	No	No	Yes	Adaptable**
<input type="checkbox"/> S6334A1LP	Yes	No	No	Yes	Yes	ADA, CA Title 24, HUD/FHA
<input type="checkbox"/> S6334A2LP	No	No	Yes	No	Yes	ADA, CA Title 24, HUD/FHA
<input type="checkbox"/> S6334A3LP	Yes	Yes	No	Yes	Yes	ADA, ANSI, CA Title 24, HUD/FHA

No-Recess Threshold Models

Model Number	Pre-Installed L-Shaped Grab Bar	Pre-Installed 18" Vertical Grab Bar	Pre-Installed U-Shaped Grab Bar	Pre-Installed Folding Seat	Drain Block Out Required	Accessibility Code Compliance
<input type="checkbox"/> S6334A0NR	No	No	No	No	Yes	Adaptable**
<input type="checkbox"/> S6334A1NR	Yes	No	No	Yes	Yes	ADA, CA Title 24, HUD/FHA
<input type="checkbox"/> S6334A2NR	No	No	Yes	No	Yes	ADA, CA Title 24, HUD/FHA
<input type="checkbox"/> S6334A3NR	Yes	Yes	No	Yes	Yes	ADA, ANSI, CA Title 24, HUD/FHA

**Model is reinforced and capable of meeting accessibility code requirements with proper field-installation of grab bars and seat

Seat Placement (indicated by '-L' or '-R' following model number if applicable)*

- Left Hand Right Hand

*Seat placement is determined as if outside the unit looking in. For clarity, a right hand model is shown in all drawings.

Optional Accessories†

- | | |
|---|---|
| <input type="checkbox"/> Curtain Rod | <input type="checkbox"/> Shower Drain |
| <input type="checkbox"/> Shower Curtain | <input type="checkbox"/> 18" grab bar |
| <input type="checkbox"/> Recessed Soap Dish | <input type="checkbox"/> 24" grab bar |
| <input type="checkbox"/> Composite Corner Shelf | <input type="checkbox"/> Custom grab bar, please specify: |
| <input type="checkbox"/> Shower Slide-Bar Kit | <input type="checkbox"/> Folding seat |
| <input type="checkbox"/> EverFab Tub-Wrap | <input type="checkbox"/> T-Shaped EverDam |

Accessory Style

- Thu-bolted (Standard)
- Flanged
- Elite Series
- Anti-ligature
- Custom, please specify:

Accessory Finish

- Satin Stainless (Standard)
- Matte Black
- Polished Stainless
- White
- Custom, please specify:

†If applicable, please select accessory style and finish from options above. If custom, please also indicate desired location(s) on drawing.