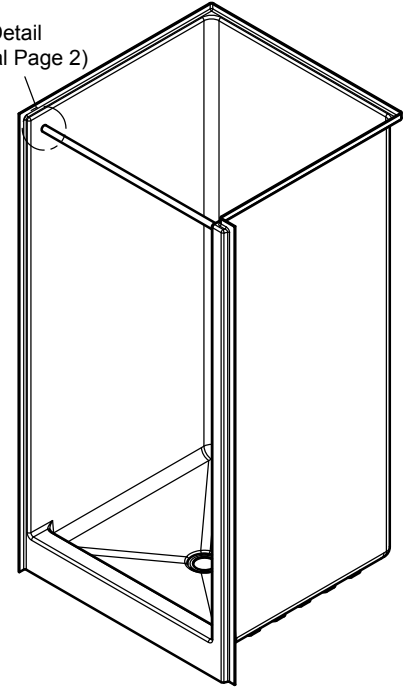


Project Name		Customer Name	
Quote Number		Date	
Customization			

## Standard Features

Type	One-piece curbed shower stall. Available in left or right hand configuration.
Color	White
Exterior Dimensions	38-1/4" W x 38-1/2" D x 79-1/4" H
Materials	Gel coat and fiberglass composite
Approximate Weight	125 lbs

Curtain Rod Detail  
(See Submittal Page 2)



## Certifications and Accessibility Code Compliance



Universal  
Plumbing Code



CSA B45.5-11 / IAPMO Z124-2017



HUD / FHA

# ANSI

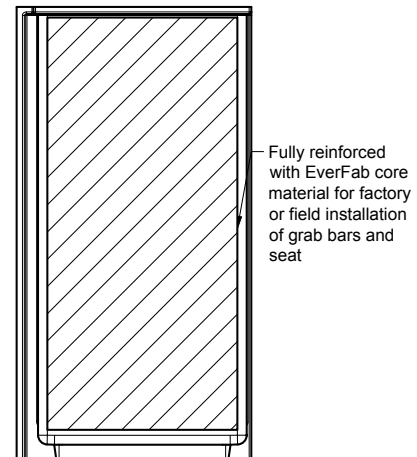
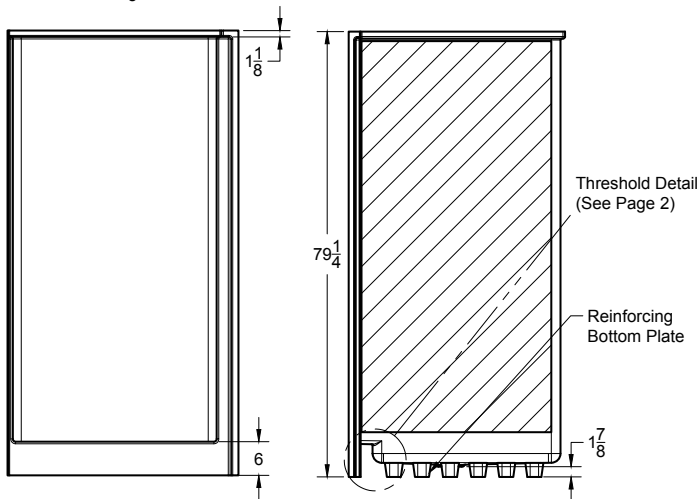
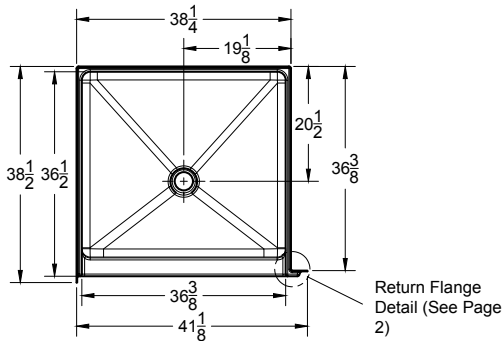
ICC A117.1 - 2017  
ANSI Type B

## Warranty

30 Year Limited

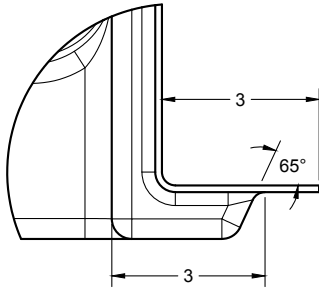
## Reinforcement

Reinforced with EverFab's unique composite core material according to FHA and ANSI Type B Unit requirements

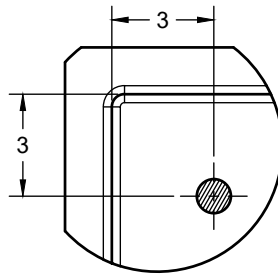


Due to the nature of the material, all measurements may vary by  $\pm 3/8$ ".  
Dimensions needed for site preparation should be measured from the unit.

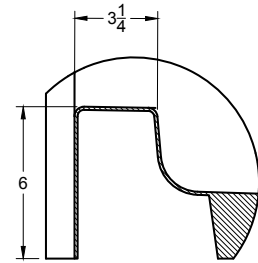
## Additional Details



Return Flange



Standard Curtain Rod Location



Threshold

## Architectural Specifications

### A. Shower Stall:

1. Model: No. S3839RFB-L/R
2. Description: One-piece shower stall with reinforcing bottom plate, slip-resistant floor, and inorganic composite reinforcement capable of meeting FHA and ANSI Type B Unit accessibility requirements
3. Exterior dimensions: 38-1/4 inches wide x 38-1/2 inches deep x 79-1/4 inches high
4. Rough-in: +1/8" -0" nominal dimensions
5. Optional Accessories: Furnish with [curtain rod], [shower curtain], [recessed soap dish], [composite corner shelf], [shower slide-bar kit], [EverFab tub-wrap], [shower drain], [18" grab bar], [24" grab bar], [folding seat]. If applicable, please indicate location of additional accessories on drawing
6. Accessory Style: [No Accessories], [Standard Thru-Bolted], [Flanged], [Elite Series], [Anti-Ligature], [Custom]
7. Accessory Finish: [No Accessories], [Standard Satin Stainless], [Matte Black], [Polished Stainless] [White], [Custom]

## Flange Placement (indicated by '-L' or '-R' following model number)\*

Left Hand

Right Hand

*\*Flange placement is determined as if outside the unit looking in. For clarity, a right hand model is shown in all drawings*

## Optional Accessories†

Curtain Rod

Shower Drain

Shower Curtain

18" grab bar

Recessed Soap Dish

24" grab bar

Composite Corner Shelf

Folding seat

Shower Slide-Bar Kit

EverFab Tub-Wrap

## Accessory Style

Thru-bolted (Standard)

Flanged

Elite Series

Anti-ligature

Custom, please specify:

## Accessory Finish

Satin Stainless (Standard)

Matte Black

Polished Stainless

White

Custom, please specify:

*†If applicable, please select accessory style and finish from options above. If custom, please also indicate desired location(s) on drawing.*