

Project Name		Customer Name	
Quote Number		Date	
Customization			

### Standard Features

<b>Type</b>	Two-piece alternate roll-in type shower stall. Available in left or right hand configuration.
<b>Color</b>	White
<b>Exterior Dimensions</b>	63"W x 39"D x 79-5/8"H
<b>Materials</b>	Gel coat and fiberglass composite
<b>Approximate Weight</b>	190 lbs

### Certifications and Accessibility Code Compliance



Universal Plumbing Code



CSA B45.5-11 / IAPMO Z124-2017



ADA

ANSI

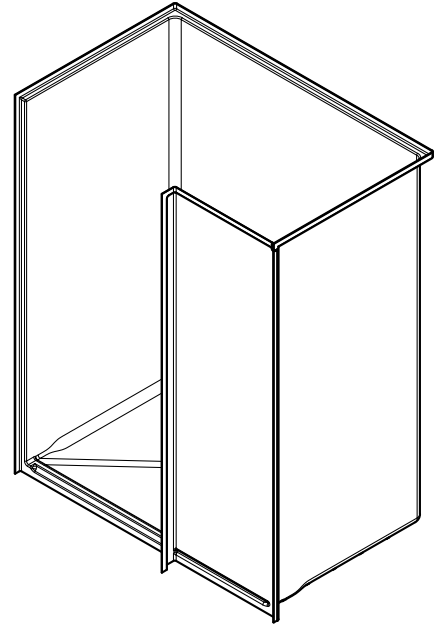
ICC A117.1 - 2017 ANSI Type A



California Title 24



HUD / FHA

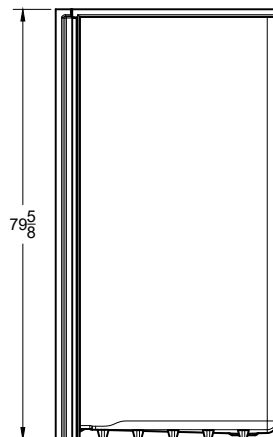
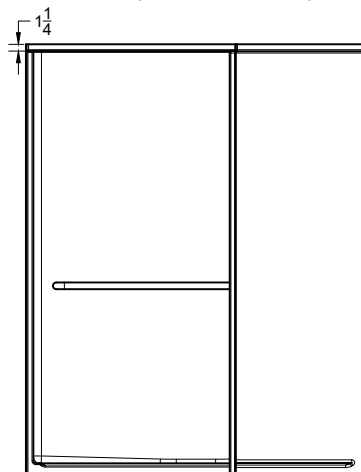
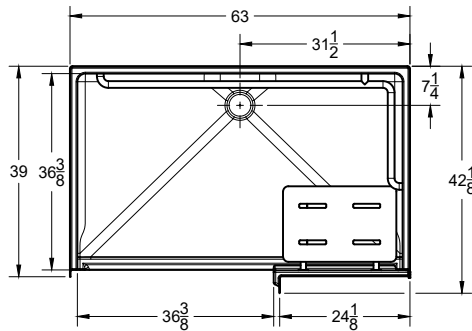


### Warranty

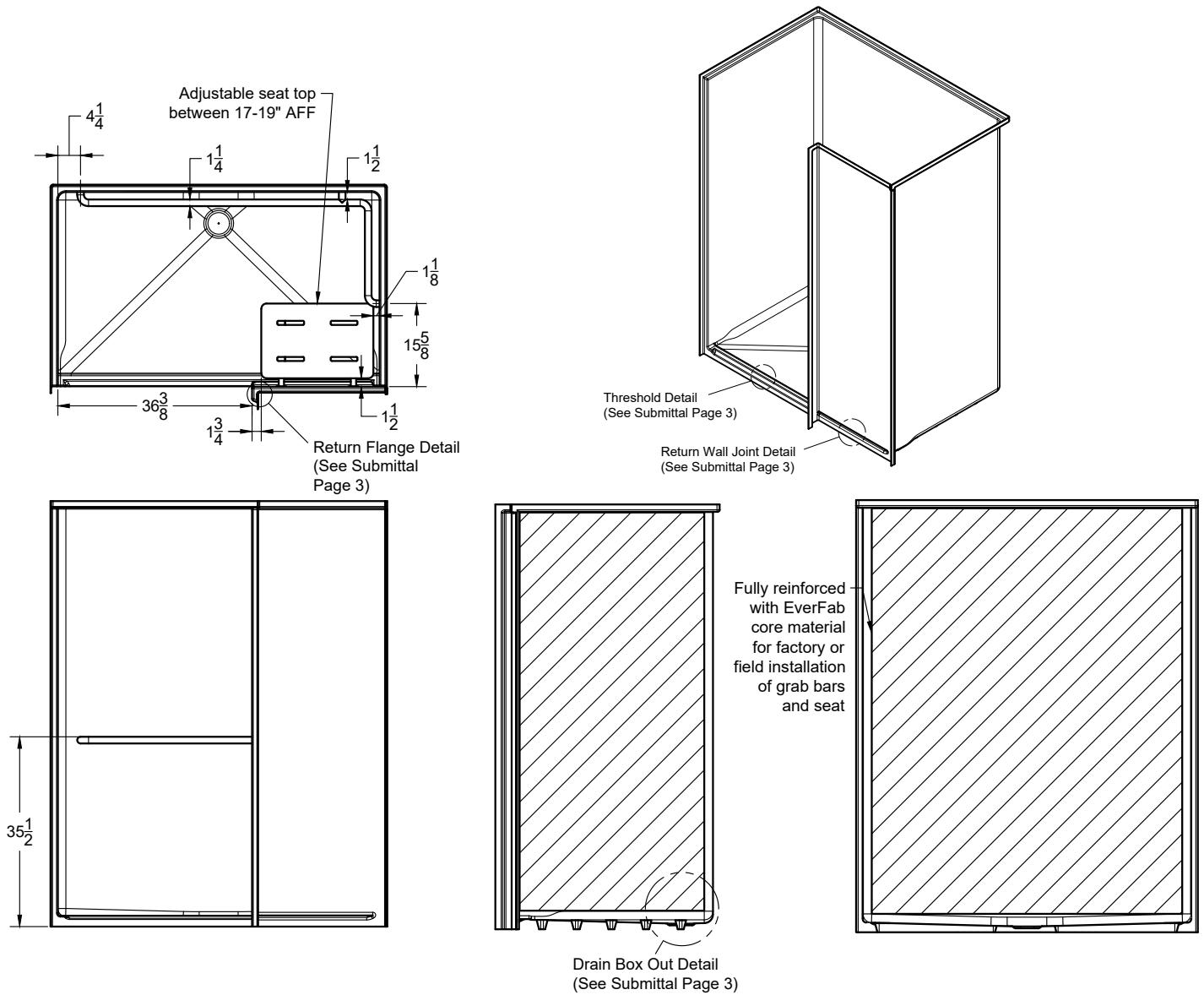
30 Year Limited

### Reinforcement

Fully reinforced with EverFab's unique composite core material which allows for factory or field installation of ADA compliant grab bars and seat



## ADA Accessory Dimensions

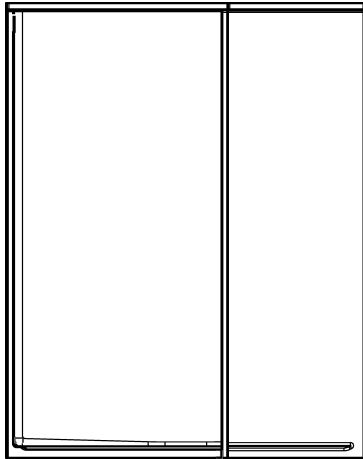


## Architectural Specifications

### A. Shower Stall:

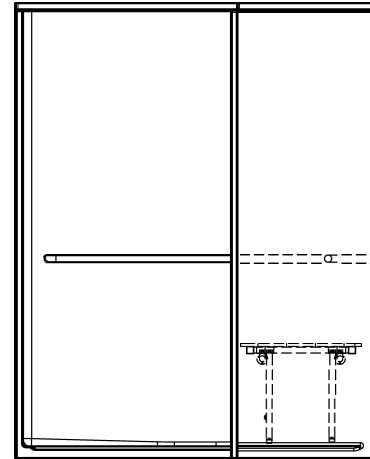
1. Model: No. S6339RWA-L/R
2. Description: Two-piece shower stall with reinforcing bottom plate, slip-resistant floor, return wall,  $\frac{1}{8}$ " interior drop for water retention, and inorganic composite reinforcement for placement of grab bars and seat
3. Exterior dimensions: 63 inches wide x 39 inches deep x  $79\text{-}\frac{5}{8}$  inches high
4. Rough-in:  $+1\frac{1}{8}$ " -0" nominal dimensions
5. Threshold: [Standard] [Low Profile] [No-Recess] Threshold Detail
6. Accessibility Accessories: [A0] [A1] [Custom] accessory configuration
7. Optional Accessories: Furnish with [curtain rod], [shower curtain], [recessed soap dish], [composite corner shelf], [shower slide-bar kit], [EverFab tub-wrap], [shower drain], [18" grab bar], [24" grab bar], [folding seat], [T-shaped EverDam]. If applicable, please indicate location of additional accessories on drawing
8. Accessory Style: [A0 - No Accessories], [Standard Thru-Bolted], [Flanged], [Elite Series], [Anti-Ligature], [Custom]
9. Accessory Finish: [A0 - No Accessories], [Standard Satin Stainless], [Matte Black], [Polished Stainless] [White], [Custom]

ADA Accessory Configurations (number following 'A' indicates configuration)



S6339RWA0-R

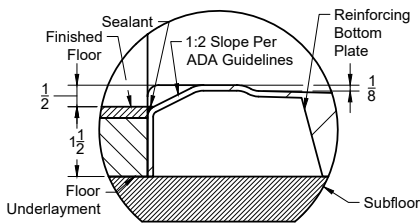
No Accessories



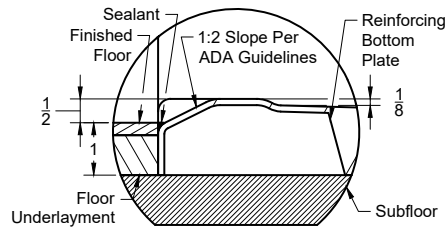
S6339RWA1-R

L-shaped grab bar  
Seat

Threshold Details

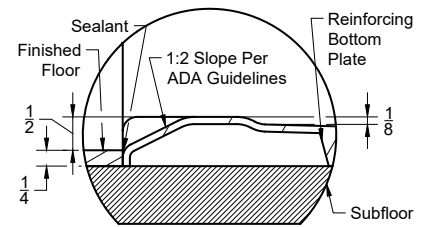


Standard



Low-Profile

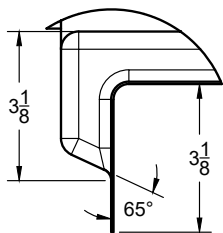
Model number followed with 'LP'



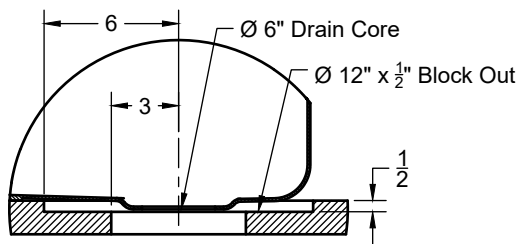
No-Recess

Model number followed with 'NR'

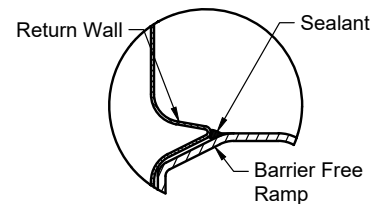
Additional Details



Return Flange



Drain Block-Out



Return Wall Joint

### Standard Threshold Models

Model Number	Pre-Installed L-Shaped Grab Bar	Pre-Installed Folding Seat	Drain Block Out Required	Accessibility Code Compliance
<input type="checkbox"/> S6339RWA0	No	No	No	Adaptable**
<input type="checkbox"/> S6339RWA1*	Yes	Yes	No	ADA, ANSI, CA Title 24, HUD/FHA

### Low Profile Threshold Models

Model Number	Pre-Installed L-Shaped Grab Bar	Pre-Installed Folding Seat	Drain Block Out Required	Accessibility Code Compliance
<input type="checkbox"/> S6339RWA0LP	No	No	Yes	Adaptable**
<input type="checkbox"/> S6339RWA1LP	Yes	Yes	Yes	ADA, ANSI, CA Title 24, HUD/FHA

### No-Recess Threshold Models

Model Number	Pre-Installed L-Shaped Grab Bar	Pre-Installed Folding Seat	Drain Block Out Required	Accessibility Code Compliance
<input type="checkbox"/> S6339RWA0NR	No	No	Yes	Adaptable**
<input type="checkbox"/> S6339RWA1NR	Yes	Yes	Yes	ADA, ANSI, CA Title 24, HUD/FHA

\*\*Model is reinforced and capable of meeting accessibility code requirements with proper field-installation of grab bars and seat

### Return Wall Placement (indicated by '-L' or '-R' following model number)\*

Left Hand  Right Hand

\*Return wall placement is determined as if outside the unit looking in. For clarity, a right hand model is shown in all drawings

### Optional Accessories†

- |   |   |
|---|---|
| <input type="checkbox"/> Curtain Rod            | <input type="checkbox"/> Shower Drain     |
| <input type="checkbox"/> Shower Curtain         | <input type="checkbox"/> 18" grab bar     |
| <input type="checkbox"/> Recessed Soap Dish     | <input type="checkbox"/> 24" grab bar     |
| <input type="checkbox"/> Composite Corner Shelf | <input type="checkbox"/> Folding seat     |
| <input type="checkbox"/> Shower Slide-Bar Kit   | <input type="checkbox"/> T-shaped EverDam |
| <input type="checkbox"/> EverFab Tub-Wrap       |   |

### Accessory Style

- Thu-bolted (Standard)
- Flanged
- Elite Series
- Anti-ligature
- Custom, please specify:

### Accessory Finish

- Satin Stainless (Standard)
- Matte Black
- Polished Stainless
- White
- Custom, please specify:

†If applicable, please select accessory style and finish from options above. If custom, please also indicate desired location(s) on drawing.