

Project Name:		Customer:		Date:	
Quote Number:		Model Number (select from below):		Seat Placement:	N/A
Customization Requested:					

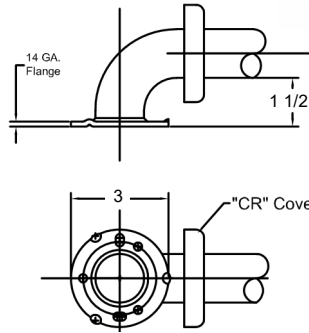
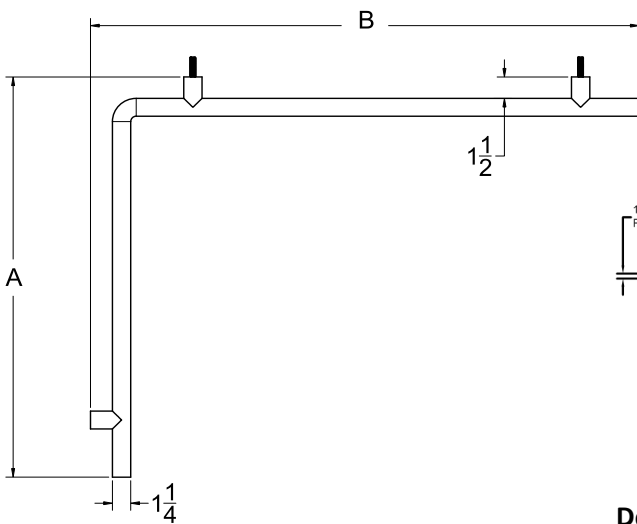
Standard Features and Measurements

- Meets ADA and ANSI requirements for size and strength when installed correctly
- Compatible with EverFab models S3839, S4839, S6334, and S6336

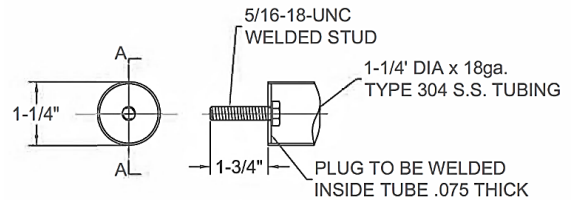
Style:	Elite Series L-Bar
Material:	Polished Stainless Steel
Approximate Weight:	10-16 lbs.

Optional Features

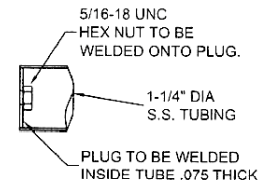
- Available with flanges for in-field installation



Detail of Flanged Option



Detail of Stud End



Detail of Internal Nut



Available Configurations

Model Number	Flanges for In-Field Installation	Length of Dimension A	Length of Dimension B
EF-3839-LBE	No	33"	18"
EF-3839-LFE	Yes	33"	18"
EF-6334-LBE	No	28"	37 1/2"
EF-6334-LFE	Yes	28"	37 1/2"
EF-6336-LBE	No	30"	37 1/2"
EF-6336-LFE	Yes	30"	37 1/2"
EF-6339-LBE	No	21"	56"
EF-6339-LFE	Yes	21"	56"

_____	___/___/___	_____	___/___/___
Architect	Date	Engineer	Date
_____	___/___/___	_____	___/___/___
General Contractor	Date	Plumbing Contractor	Date

Please email or fax a signed submittal sheet to the EverFab office to purchase.

Email: info@everfabath.com | Fax: 503.743.8153 | Phone: 503.303.3300 | www.everfabath.com | PO Box 490, Aumsville, OR 97325

Due to the nature of the material all measurements may vary by ± 3/8". Dimensions needed for site preparation should be measured from the unit.