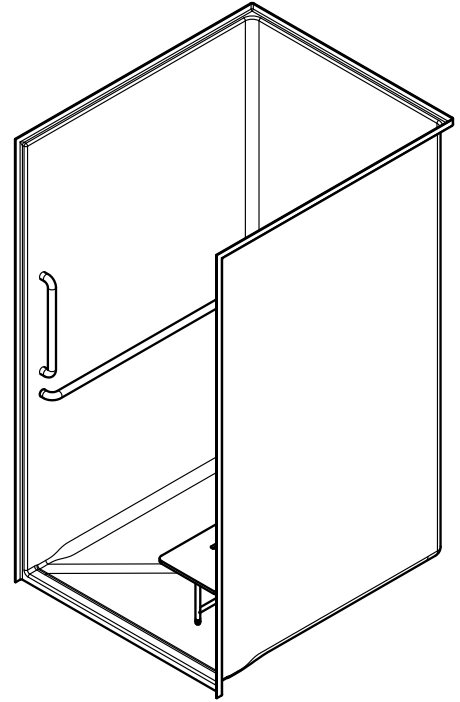


Project Name		Customer Name	
Quote Number		Date	
Customization			

### Standard Features

<b>Type</b>	One-piece roll-in type shower stall. Available in left or right hand configuration.
<b>Color</b>	White
<b>Exterior Dimensions</b>	44-1/4"W x 52"D x 84"H
<b>Materials</b>	Gel coat and fiberglass composite
<b>Approximate Weight</b>	165 lbs



### Certifications and Accessibility Code Compliance



Universal  
Plumbing  
Code



CSA B45.5-11 / IAPMO  
Z124-2017



California  
Title 24



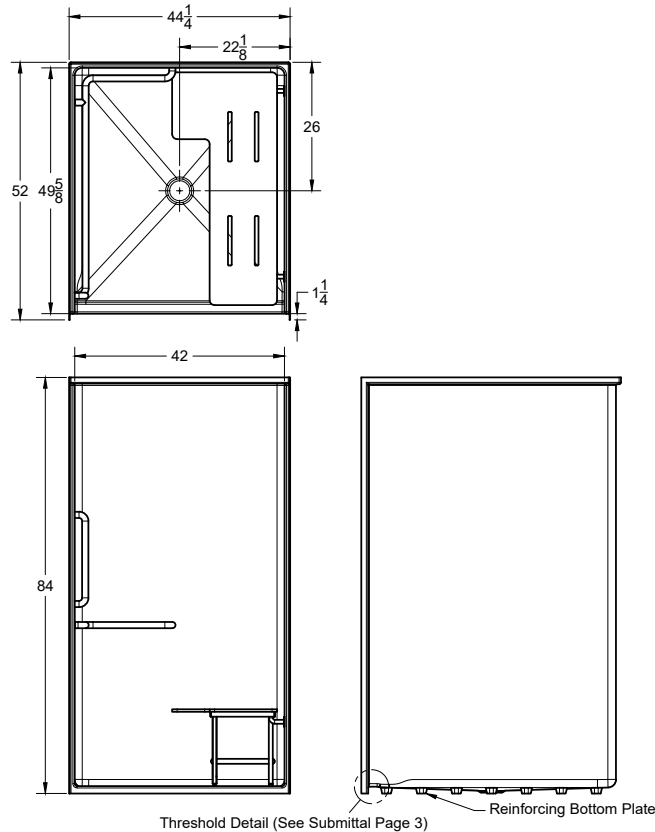
HUD / FHA

### Warranty

30 Year Limited

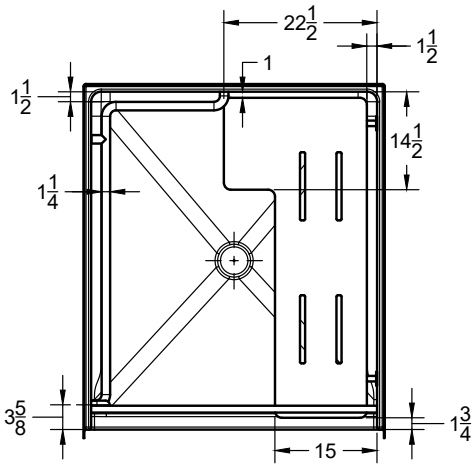
### Reinforcement

Fully reinforced with EverFab's unique composite core material which allows for factory or field installation of California Title 24 compliant grab bars and seat

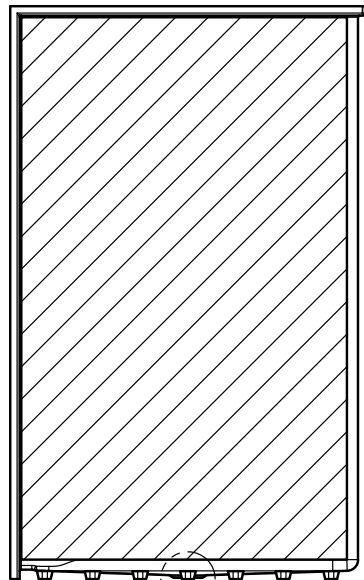
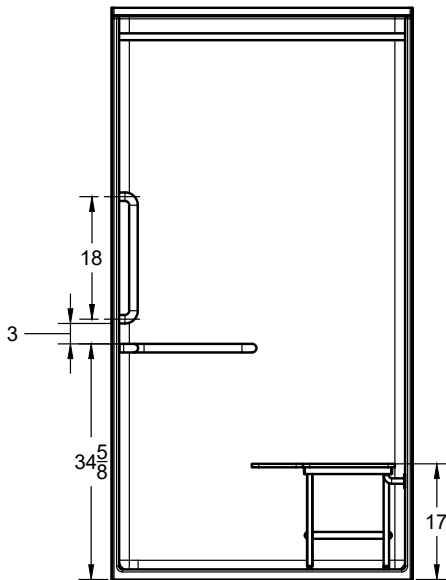
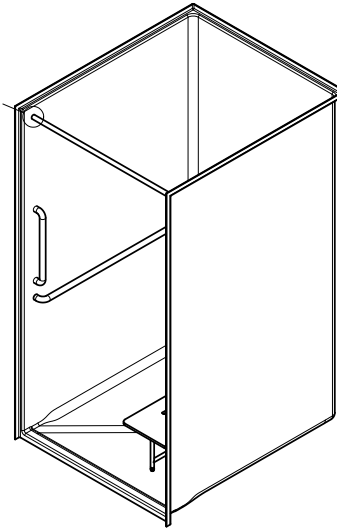


Due to the nature of the material, all measurements may vary by  $\pm 3/8"$ .  
Dimensions needed for site preparation should be measured from the unit.

## ADA Accessory Dimensions

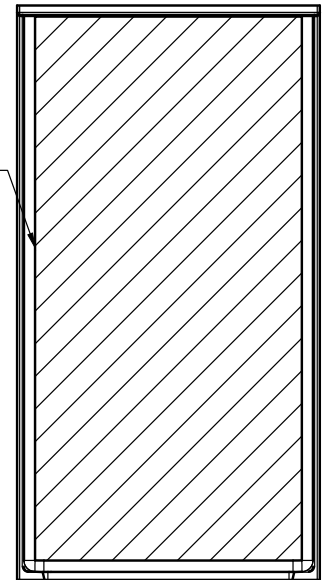


Curtain Rod Detail  
(See Submittal  
Page 3)



Drain Block Out  
Detail (See  
Submittal Page 3)

Fully reinforced  
with EverFab  
core material  
for factory or  
field installation  
of grab bars  
and seat

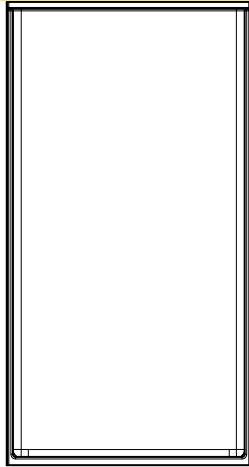


## Architectural Specifications

### A. Shower Stall:

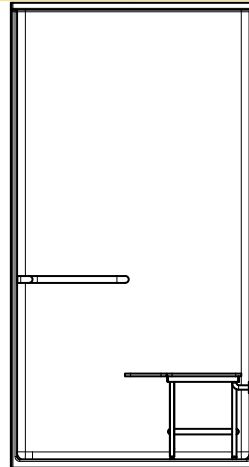
1. Model: No. S4452A-L/R
2. Description: One-piece California Title 24 compliant roll-in shower stall with reinforcing bottom plate, slip-resistant floor, and inorganic composite reinforcement for placement of grab bars and seat
3. Exterior dimensions: 44-1/4 inches wide x 52 inches deep x 84 inches high
4. Rough-in: +1/8" -0" nominal dimensions
5. Threshold: [Standard] [Low Profile] Threshold Detail
6. Accessibility Accessories: [A0] [A1] [A3] [Custom] accessory configuration
7. Optional Accessories: Furnish with [curtain rod], [shower curtain], [recessed soap dish], [composite corner shelf], [shower slide-bar kit], [EverFab tub-wrap], [shower drain], [18" grab bar], [24" grab bar], [custom grab bar], [folding seat], [T-shaped EverDam]. If applicable, please indicate location of additional accessories on drawing
8. Accessory Style: [A0 - No Accessories], [Standard Thru-Bolted], [Flanged], [Elite Series], [Anti-Ligature], [Custom]
9. Accessory Finish: [A0 - No Accessories], [Standard Satin Stainless], [Matte Black], [Polished Stainless] [White], [Custom]

**ADA Accessory Configurations (number following 'A' indicates configuration)**



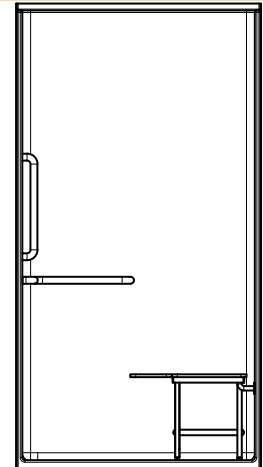
**S4452A0**

No Accessories



**S4452A1-R**

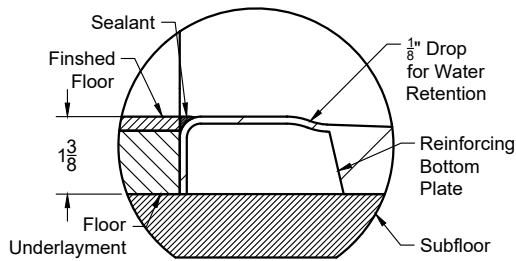
L-shaped grab bar  
Seat



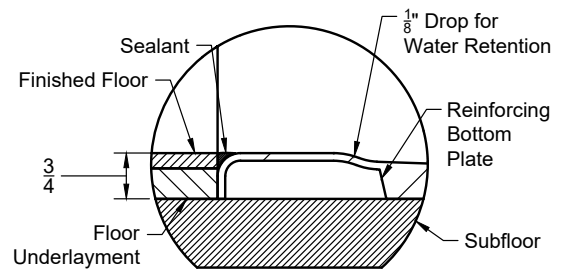
**S4452A3-R**

L-shaped grab bar  
Seat  
18" vertical grab bar

**Threshold Details**



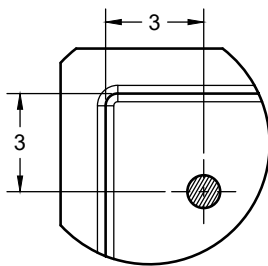
**Standard**



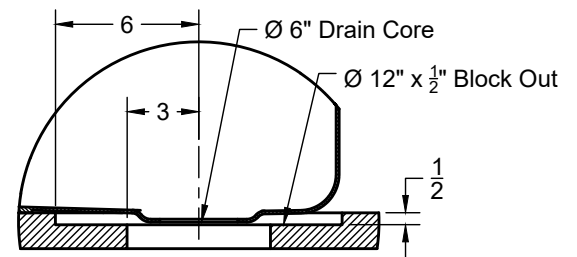
**Low-Profile**

Model number followed with 'LP'

**Additional Details**



**Standard Curtain Rod Location**



**Drain Block-Out**

### Standard Threshold Models

Model Number	Pre-Installed L-Shaped Grab Bar	Pre-Installed 18" Vertical Grab Bar	Pre-Installed Folding Seat	Drain Block Out Required	Accessibility Code Compliance
<input type="checkbox"/> S4452A0	No	No	No	No	Adaptable**
<input type="checkbox"/> S4452A1	Yes	No	Yes	No	CA Title 24, HUD/FHA
<input type="checkbox"/> S4452A3	Yes	Yes	Yes	No	CA Title 24, HUD/FHA

### Low Profile Threshold Models

Model Number	Pre-Installed L-Shaped Grab Bar	Pre-Installed 18" Vertical Grab Bar	Pre-Installed Folding Seat	Drain Block Out Required	Accessibility Code Compliance
<input type="checkbox"/> S4452A0LP	No	No	No	Yes	Adaptable**
<input type="checkbox"/> S4452A1LP	Yes	No	Yes	Yes	CA Title 24, HUD/FHA
<input type="checkbox"/> S4452A3LP	Yes	Yes	Yes	Yes	CA Title 24, HUD/FHA

\*\*Model is reinforced and capable of meeting California Title 24 accessibility code requirements with proper field-installation of grab bars and seat

### Seat Placement (indicated by '-L' or '-R' following model number if applicable)\*

- Left Hand  Right Hand

\*Seat placement is determined as if outside the unit looking in. For clarity, a right hand model is shown in all drawings.

### Optional Accessories†

- |   |   |
|---|---|
| <input type="checkbox"/> Curtain Rod            | <input type="checkbox"/> Shower Drain                     |
| <input type="checkbox"/> Shower Curtain         | <input type="checkbox"/> 18" grab bar                     |
| <input type="checkbox"/> Recessed Soap Dish     | <input type="checkbox"/> 24" grab bar                     |
| <input type="checkbox"/> Composite Corner Shelf | <input type="checkbox"/> Custom grab bar, please specify: |
| <input type="checkbox"/> Shower Slide-Bar Kit   | <input type="checkbox"/> Folding seat                     |
| <input type="checkbox"/> EverFab Tub-Wrap       | <input type="checkbox"/> T-Shaped EverDam                 |

### Accessory Style

- Thu-bolted (Standard)  
 Flanged  
 Elite Series  
 Anti-ligature  
 Custom, please specify:

### Accessory Finish

- Satin Stainless (Standard)  
 Matte Black  
 Polished Stainless  
 White  
 Custom, please specify:

†If applicable, please select accessory style and finish from options above. If custom, please also indicate desired location(s) on drawing.