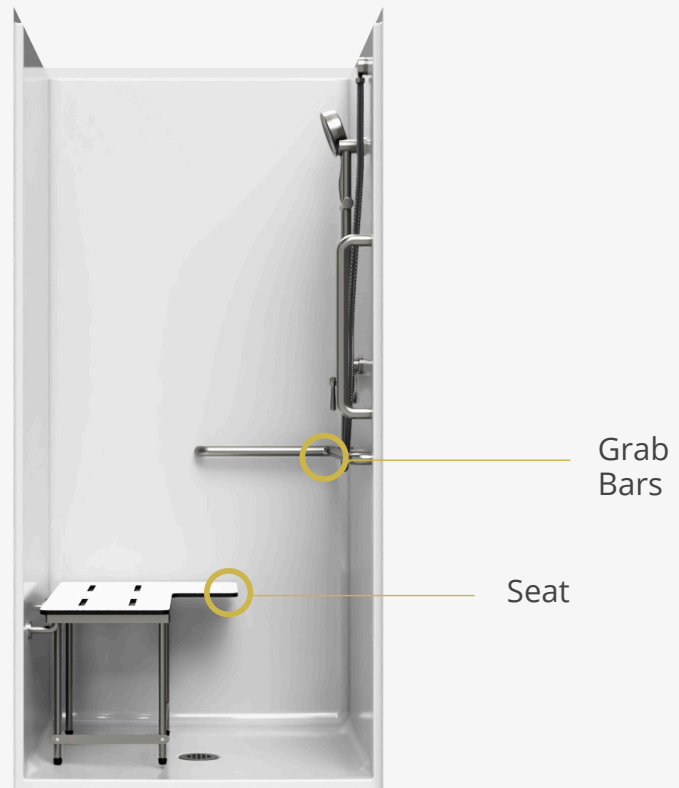
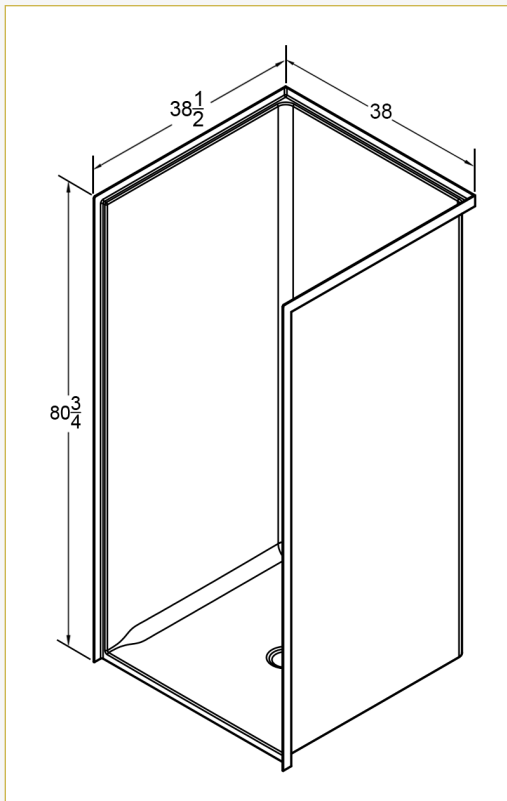


# PRODUCT CODE: SHELL UNITS

- The initial letters 'TS' indicate the unit is a **tub shower** and the letter 'S' indicates the unit is a **shower stall**. An 'S' following the initial 'TS' or 'S' indicates the unit includes a shelf along the back wall.
- This 4 digit number indicates the **overall width and depth of the unit**. For example this code represents a shower that is 38" wide by 39" deep.

- The letter 'A' indicates the unit is **ADA adaptable**. ADA adaptable and can support factory or field installed grab bars and seat without the need for further reinforcement. The letter 'B' indicates the unit meets ANSI A117.1 Type B accessibility requirements.

**S 3 8 3 9 A 1 L P - R**



# PRODUCT CODE: CUSTOMIZATION

- This letter indicates seat placement for showers or drain placement for tub showers. 'L' stands for **left placement** and 'R' stands for **right placement** when standing outside looking into the shower enclosure.

S 3 8 3 9 A **1 L P - R**

- This number indicates the **configuration of pre-installed grab bars and seat:**

- 0: No grab bars and seat
- 1: Grab bars and seat
- 2: Grab bar only
- 3: Grab bar and seat configuration that meets ANSI A117.1 Type A roll-in shower accessibility requirements

- These letters indicate the **threshold type** (see illustrations below):

**LP:** Low profile

**NR:** No-recess barrier free ramp

**Blank:** Standard threshold height

