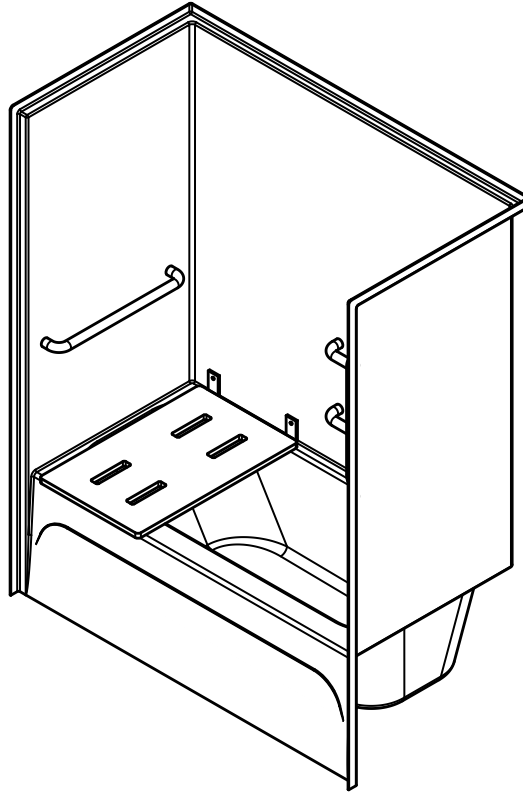


Model TS6032A



The unit shall be constructed of two layers of fiberglass reinforced composite, an intermediate layer of polyester spray core, and an unsaturated polyester gelcoat finish. The resin used shall meet company standards of glass content and contain the required percentage of calcium sulfate for fire resistance. No wood or cardboard is to be used in the construction of the unit except for handling during manufacturing and protection during shipping. During unit construction, bands of strengthening material shall be added to the side and rear walls and a reinforcing composite plate shall be laminated to the bottom of the structure for increased stability. The unit shall include a slip-resistant floor and shall conform to ADA standards for grab bar and seat locations and strength. The unit shall also comply with CSA B45.5 and IAPMO Z124 "Plastic Plumbing Fixtures".

Note: The TS6032A0 model is to be constructed in the exact manner as detailed above except the unit shall not include the pre-installed seat and grab bars. The finished unit is still to be capable of meeting ADA standards should it be decided to install the seat and grab bars at a later time.
