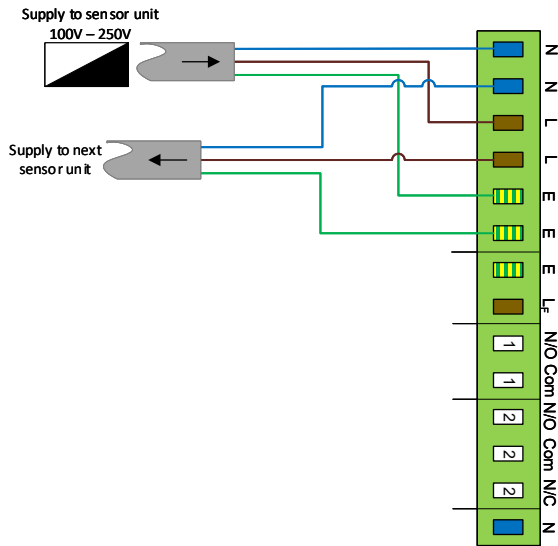
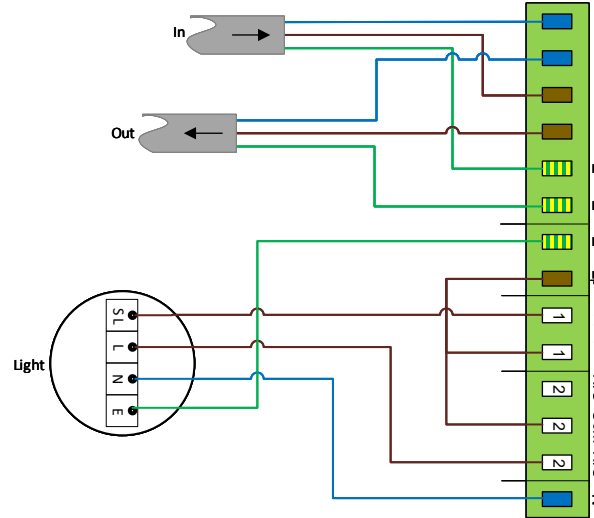


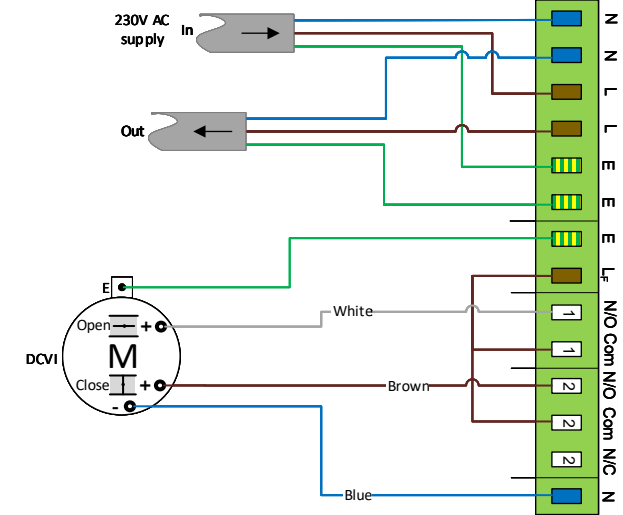
1. Common supply to sensor unit.



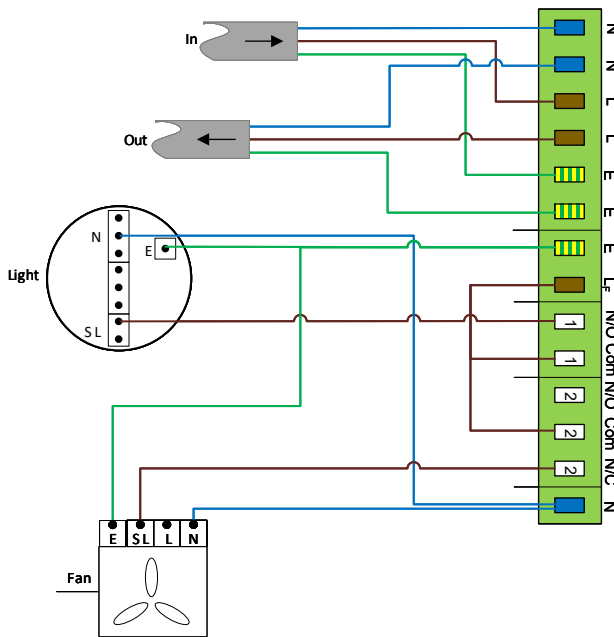
3. Wiring for Emergency lighting (maintained with switching option and automatic testing).



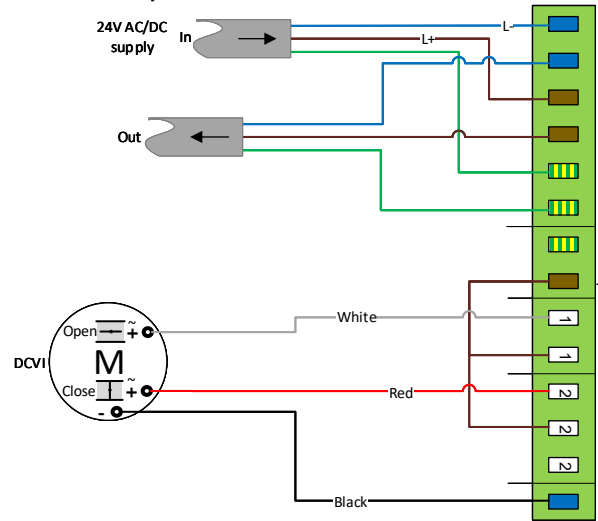
5. Wiring for a open/close device i.e. Belimo actuator 230V AC for DCVI as shown below.



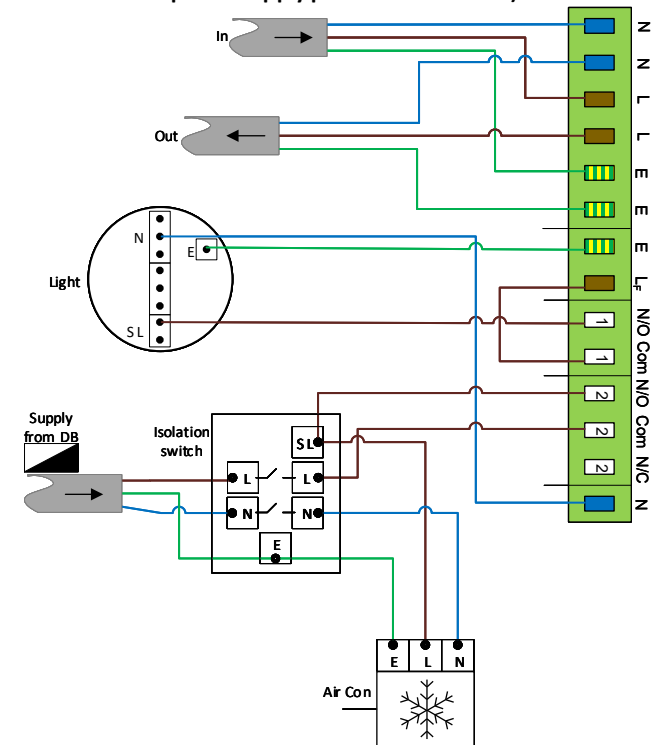
2. Wiring for a light and fan to a sensor unit.



4. Wiring for a open/close device i.e. Belimo actuator 24V AC/DC for DCVI as shown below.



6. Wiring for lighting and air conditioning unit (separate power supply provided for Air con).



Scale -	Not to scale
Drawing title -	
Drawing no. -	