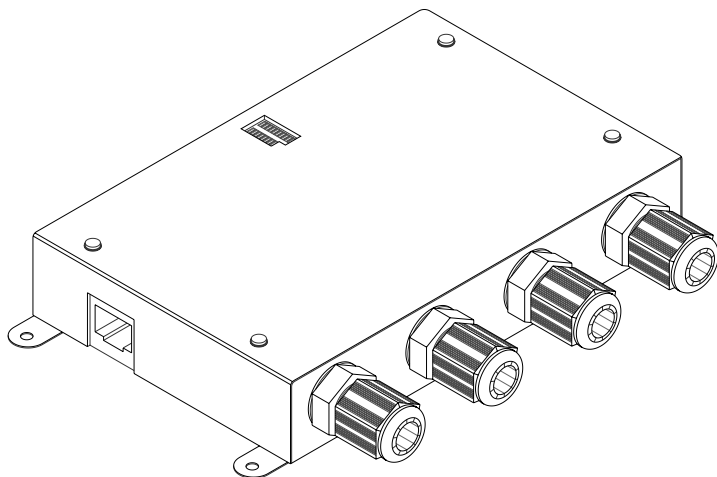


# Hardware Datasheet

Ref: FCUC

## Room Control Unit



### Manufacturers Details

Atamate Ltd  
Old House  
The Ridings  
Oxford  
OX3 8TB  
UK

Tel: +44 1865 920 101

[www.atamate.com](http://www.atamate.com)

### Overview

The FCUC allows the easy control of room terminal units such as fan coil units. It also has additional relays that could be used to control lighting circuits, electronic locks, ventilation or other components in the room. The FCUC can reduce both energy consumption and maintenance cost when installed as part of an Atamate smart building control system.

### Operation

The FCUC is part of the Atamate control system. It is controlled either locally by SUMSCE or the Hub over an IP connection. It may be part of a wired or wireless control system.

### Installation Information

The FCUC includes the following :

- 24V Power Supply for valve control
- 3No. 0-10V outputs
- 3No. 0-10V input,
- 3No. relays for fan speed,
- Relay for door access control
- Relay for lighting circuit
- 4No. RJ45 connections to Atamate devices, cross platform interfaces or IP connectivity.

The FCUC can be installed by any qualified electrician. FCUC requires a 100-250Vac connection. The FCUC is part of an Atamate smart building installation. This is to be designed and commissioned by Atamate Partners.

