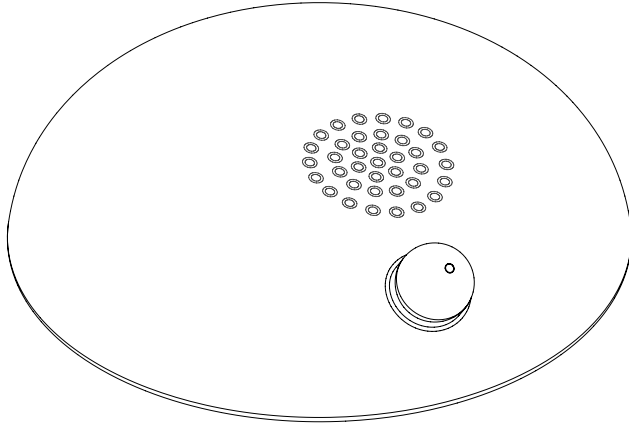


Mesh-3 Ceiling Sensor Unit



Manufacturers Details

Atamate Ltd
Old House
The Ridings
Oxford
OX3 8TB
UK

Tel: +44 1865 920 101
www.atamate.com

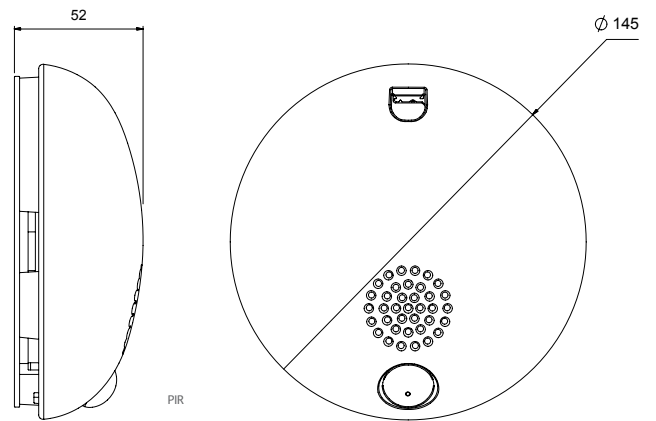
Overview

The highly innovated Atamate Surface Mount Ceiling Sensor Unit (SU) enables the local collection, processing and control of building services in a typical room. Data is transmitted to the Hub edge computer for further analysis and processing.

Sensors

A variety of sensors can be included depending on need. Typically these include:

- Temperature (local air)
- Thermopile (local wall temperature)
- Carbon Dioxide
- Humidity
- Volatile Organic Compounds (VOC)
- Noise level
- Vibration
- Ambient light
- Electrical current detection



Processing

The SU includes a Nordic Bluetooth™ 5 Processor that enables processing. This enables basic room controls including:

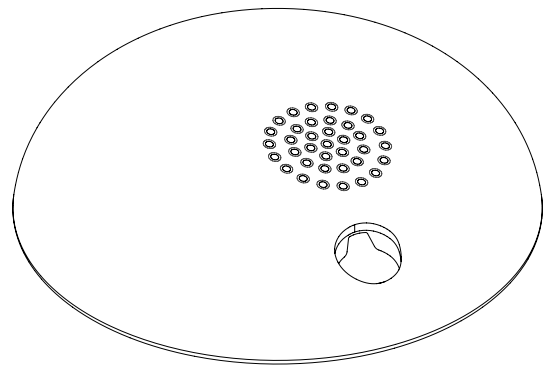
- Local light switch control of lights
- Local temperature controller to connected heater/cooler
- Local window controller to connected window motor
- Shading controller to connected blinds/shutters

Mesh-3 Ceiling Sensor Unit

Outputs

The SU has a number of possible outputs that can be included depending on need:

- 2No 16Amp 250Vac relays
- (Other relays can be supplied if required)
- 20mm fuse for local supply to relay outputs
- Speaker
- Up to 6No Digital inputs and outputs (3.3Vds)
- Serial communications outputs with a 3.3Vdc, 500mA supply - Modbus, I²C, Profibus. Specialist serial protocols on request.
- Bluetooth^{MT} (BLE & 5) compatible devices.



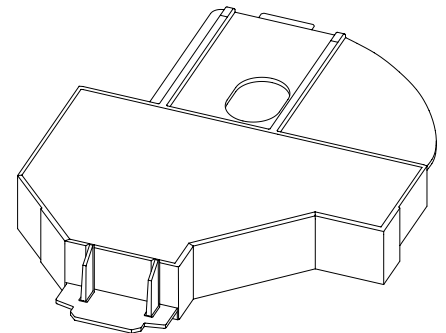
Installation Information

The SU can be installed by a qualified electrician. The SU is either powered from a 100-250Vac supply or a POE connection from a local network switch (IEE 802.3af). The SU is in white plastic which is paintable.

Ceiling mounted in the corner of the room (ideally 1m x 1m from corner and PIR has a clear 'view' of the room).

Max room size - 9m x 9m.

Cable entry form the side or through the base of the unit.



Environmental

Humidity: 10 to 90% RH

Temperature: 5 to 40 C

Water/dust protection: IP20.

The SU is part of an Atamate smart building installation. This is to be designed and commissioned by Atamate Partners.

