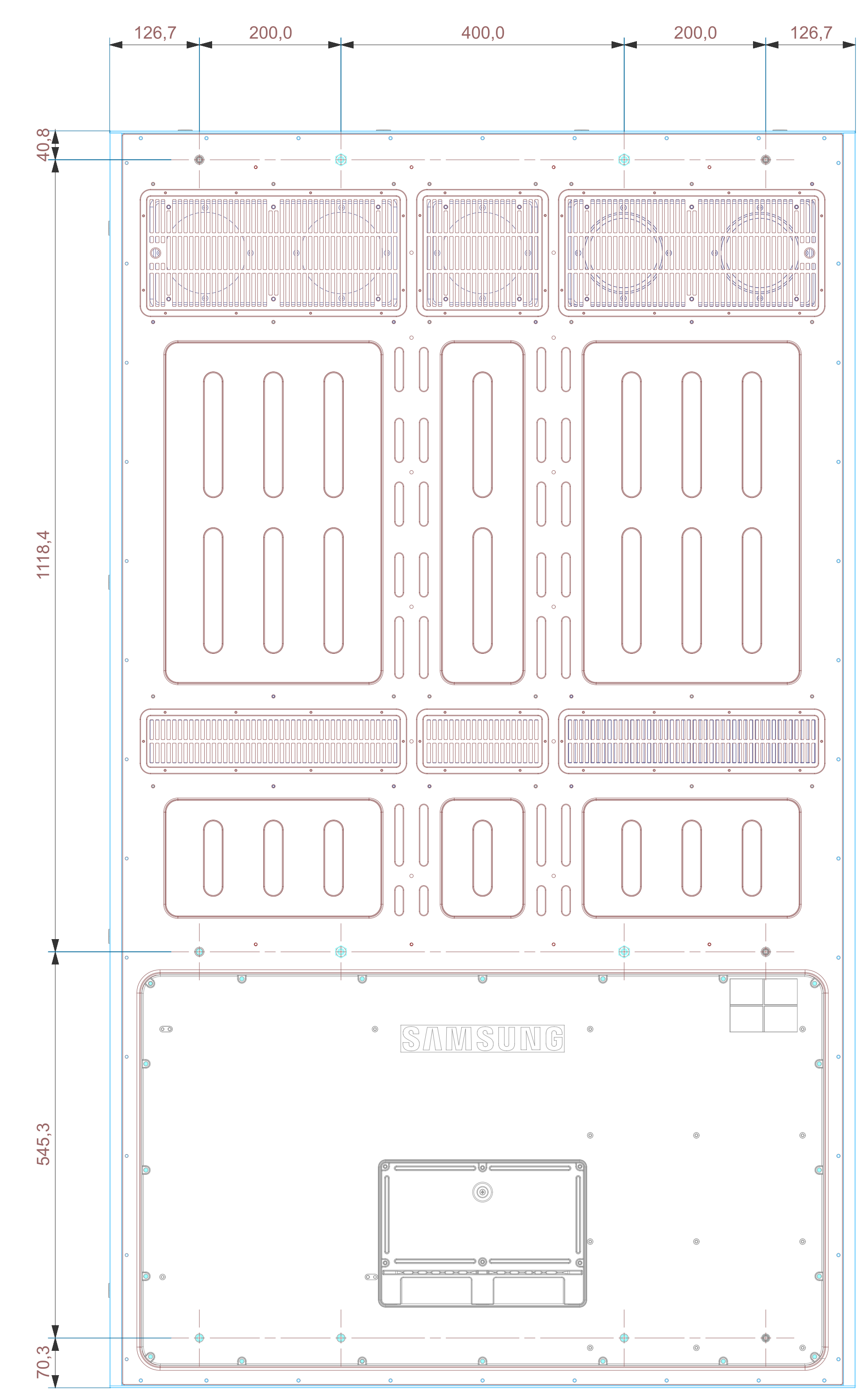
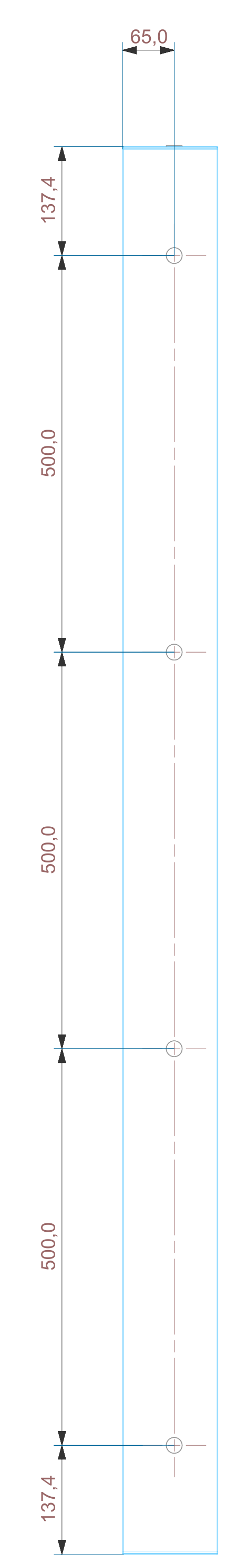
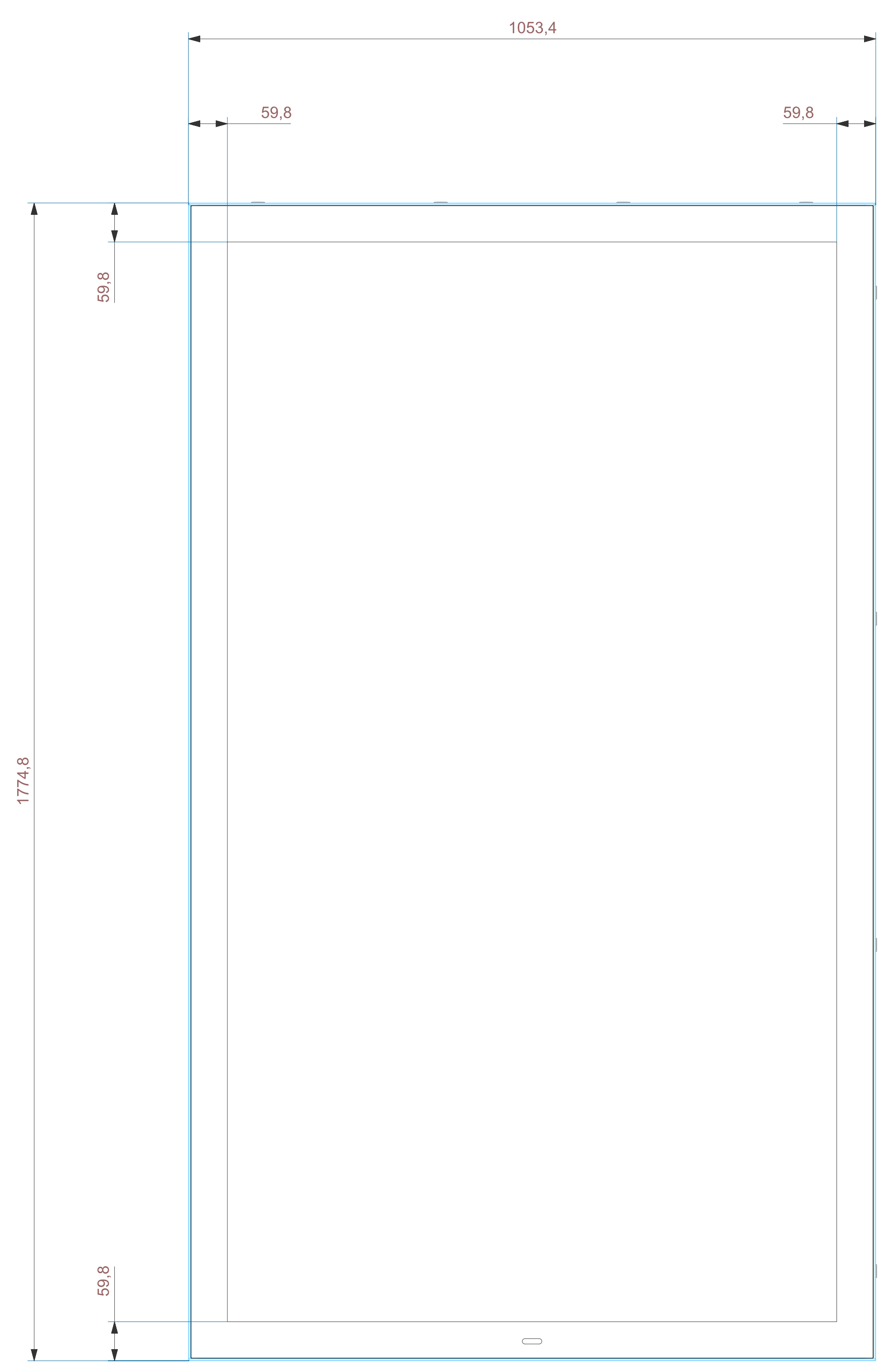
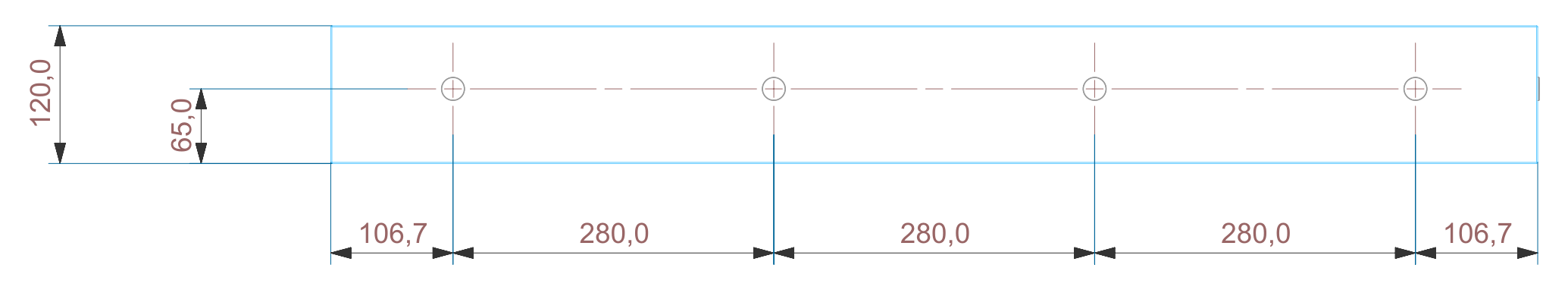


Rev. No	ED	CODE	RECORD	REMARK
32				
33				
34				

OHF 75" SET DIMENSION



PART NAME	OHF-75INCH SLIM ASSY SET	SPECIFICATION
UNIT	MM	DRAWING BY
TOLERANCE		REVIEWED BY
SCALE		APPROVED BY
		PROJECTION
		SHEET NO
		DWG. Rev