

SERIES ISOLATING TRANSFORMER

KR500 series



Caution!

Only personnel qualified to work with high voltage equipment and circuits are allowed to do the installation.

Make sure that the circuits are disconnected from the voltage supply and correctly grounded. Never connect or disconnect live circuits. Voltage on the primary circuit is lethal.

Check that any damage has not occurred for the connectors. In case of any damage do not proceed with the installation. Follow the local instructions for safety precautions or refer to the FAA advisory circular AC150/5340-26A (maintenance of Airport Visual Aid Facilities) Follow a Iso Advisory circular AC150/5370-10 part XI Lighting installations

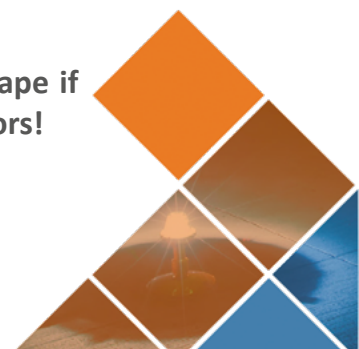
Always test the installation according to above mentioned documents and local instructions.

General:

Series transformers are used for simple and more accurate intensity adjusting. Transformers in the series circuit assure the continuity in case of lamp failure and isolate the primary high voltage from secondary side. In normal conditions the transformers and their connectors are waterproof and can be installed above ground and in all types of pull pits. They can also be directly buried to ground.

Special attention should be paid to the following matters!

- **Never make connections on a live circuit!**
- **Never bend connectors during connecting or disconnecting!**
- **Always secure the primary joints with the enclosed locking device (and tape if desired). Refer to installation instruction of primary and secondary connectors!**
- **Whenever the secondary connector is connected, make sure that the connectors are connected correctly (Large pin to large socket, small pin to small socket)!**



Installation:

1. Read the label on the transformer and make sure that it is of the type that has been planned for the installation.

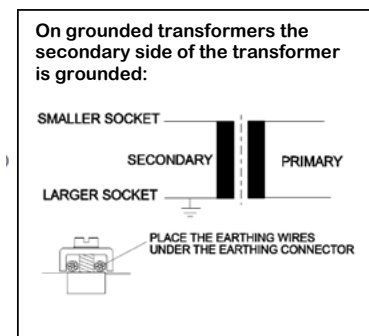
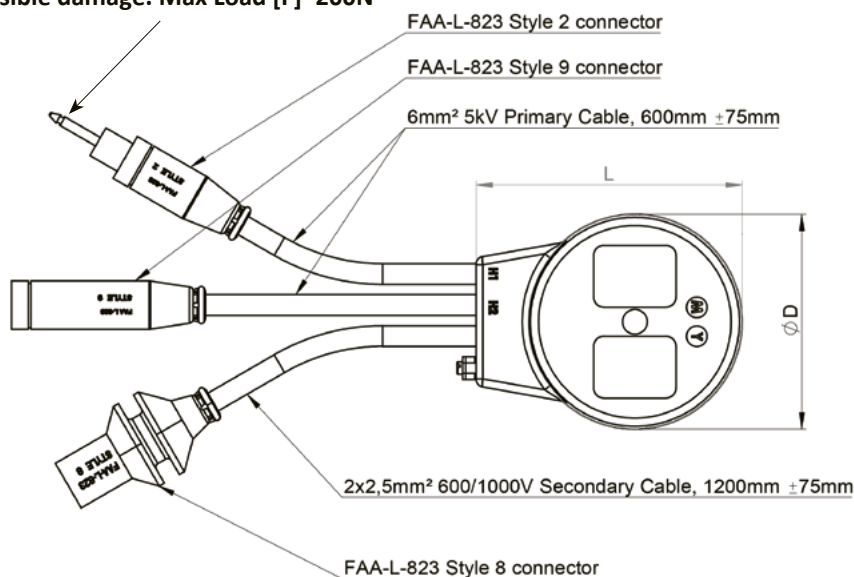
2. Clean the connectors before connection.

- Primary plug (L-823 Style 2) fits to connector (FAA) Type I , Class A and B , Style 10 (e.g. Efla KD500 / KD510, KDR600 / 610, KDL1/ 10 series)
- Primary receptacle (L-823 Style 9) fits to connector (FAA) Type I, Class A and B, Style 3 (e.g. Efla KD500 / KD510, KDR600 / 610, KDL1/ 10 series)
- Secondary receptacle (L-823 style 8 / style 7) fits to connector (FAA) Type II, Class A and B, Style 4 and 5 (e.g. Efla KD 501 and KD 503 series)

* In case of earthed (grounded) transformer the earthing connector is connected to the secondary winding, to the side of larger socket in the secondary connector.

* It is recommendable to keep transformers and connectors above the standing water level (fluids).
Do not remove the yellow protective cap from the secondary connector before installation.

* **Caution: Do not bend metal connector pin in order to avoid possible damage. Max Load [F]~200N**



Notice: If transformer is equipped with earthing connector it has to be always grounded by connecting it using continuity wire/conductor etc. into ground potential

