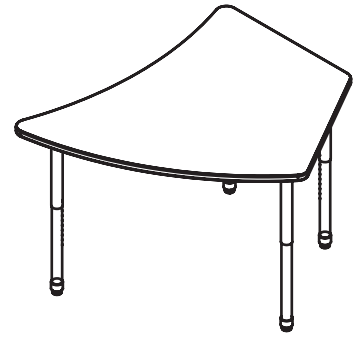


# Shape Tables

Available in a range of shapes and sizes with adjustable leg kit options.

## 1 1/8" Particleboard Core with Banded Edge (E)

Top is constructed of a 1 1/8" thick 45# particleboard core with high-pressure laminate (HPL) top surface and phenolic backer sheet for balanced construction. 1 1/8" flat vinyl or t-mold edge is secured to the perimeter of the top. All tops have a 2.0" corner radius. Stretcher bars are standard on all tops 60" wide or greater. Stretcher is 1" x 1" 16-gauge tube attached to the top with five (5) #12 x 1 3/4" Phillips head wood screws.



## Legs

Available in three height range options. Juvenile height adjusts from 15"-20" in 1" increments. Table height adjusts from 19"-29" in 1" increments. Standing height adjusts from 27"-42" in 1" increments. A single 3/16" allen set screw is used to lock the leg at the desired height. Adjustable height legs are comprised of a 2" diameter 16-gauge powder coat upper leg receiver and 1 3/4" 16-gauge chrome plated lower leg insert with decorative polypropylene cover and 3/8"-16 threaded nut. Upper leg is welded to a 1/8" steel triangular top plate with three 14-gauge gussets for additional strength. Legs are standard with nylon glides 3/4" height adjustment range, 3/8"-16 threaded stem. Optional 50mm dual-hard wheel locking casters with a 3/8"-16 threaded stem are available for easy field installation. Casters packs are available in grey and black.

## Fixed Legs

One-piece, non-adjustable leg kits at standard table heights of 25", 27" and 29". Legs are comprised of a 2" diameter 16-gauge powder coat tube with decorative polypropylene cover and 3/8"-16 threaded nut; legs is welded to a 1/8" steel triangular top plate with three 14-gauge gussets for additional strength. Legs are standard with nylon glides 3/4" height adjustment range, 3/8"-16 threaded stem. Optional 50mm dual-hard wheel locking casters with a 3/8"-16 threaded stem are available for easy field installation. Casters packs are available in grey and black.

## T-Legs

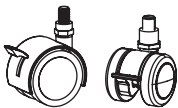
Available in four base spread widths: 18", 24", 30" and 36". Three height-adjustable options: Juvenile (16"-20"), Seated (20"-29") and Standing (28"-42"), adjustable in 1" increments. T-Legs are comprised of a 2" diameter 16-gauge powder coat upper leg receiver and 1 3/4" 16-gauge powder coat lower leg insert with decorative polypropylene cover and 3/8"-16 threaded nut. Upper leg is welded to a 13 ga formed full width steel top plate with one 13-gauge formed wrap around gusset for additional strength. Legs are standard with nylon glides 3/4" height adjustment range, 3/8"-16 threaded stem. Optional 50mm dual-hard wheel locking casters with a 3/8"-16 threaded stem are available for easy field installation. Casters packs are available in grey and black.

## Accessories



### Grommets

3" round grommets are available as a field installed option. Grommets have 2 cord access holes and are constructed of high impact resistant ABS with a light textured black finish. Grommets have 1" thick sleeve and a top surface flange diameter of 3.5"



### Casters

50mm dual-soft wheel casters, 3/8" - 16 x 1" threaded stem. Standard locking 360 degree swivel. Available in grey (NXT MOV) and black.



### Felt Glide Pack

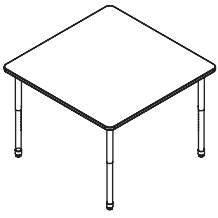
3/8" - 16 x 1" threaded stem

## Compliance

- > Tested to applicable ANSI/BIFMA Furniture Standards
- > Indoor Advantage™ Gold. Indoor air quality certified to SCS-EC10.3-2014

Artcobell's practice of continuous improvement in design & engineering requires that materials & methods be subject to change without prior notice.

T.S.T (7/7/2022) Artcobell Specifications



# Shape Tables

## Square



\* DTT-SQ48 SHOWN

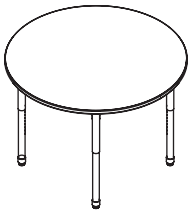
MODEL	TOP WIDTH"	TOP DEPTH"	TOP HEIGHT"			D.B.L.*		ADA SEATING ZONE *	
			JUVENILE	TABLE	STANDING	MIN."	MAX"	YES	NO
DTT-SQ36E	36.0"	36.0"	13-18"	19-29"	27-42"	26.5"	X		X
DTT-SQ42E	42.0"	42.0"	13-18"	19-29"	27-42"	32.5"	X	X	
DTT-SQ48E	48.0"	48.0"	13-18"	19-29"	27-42"	36.5"	X	X	

**Notes**

D.B.L. — distance between legs.

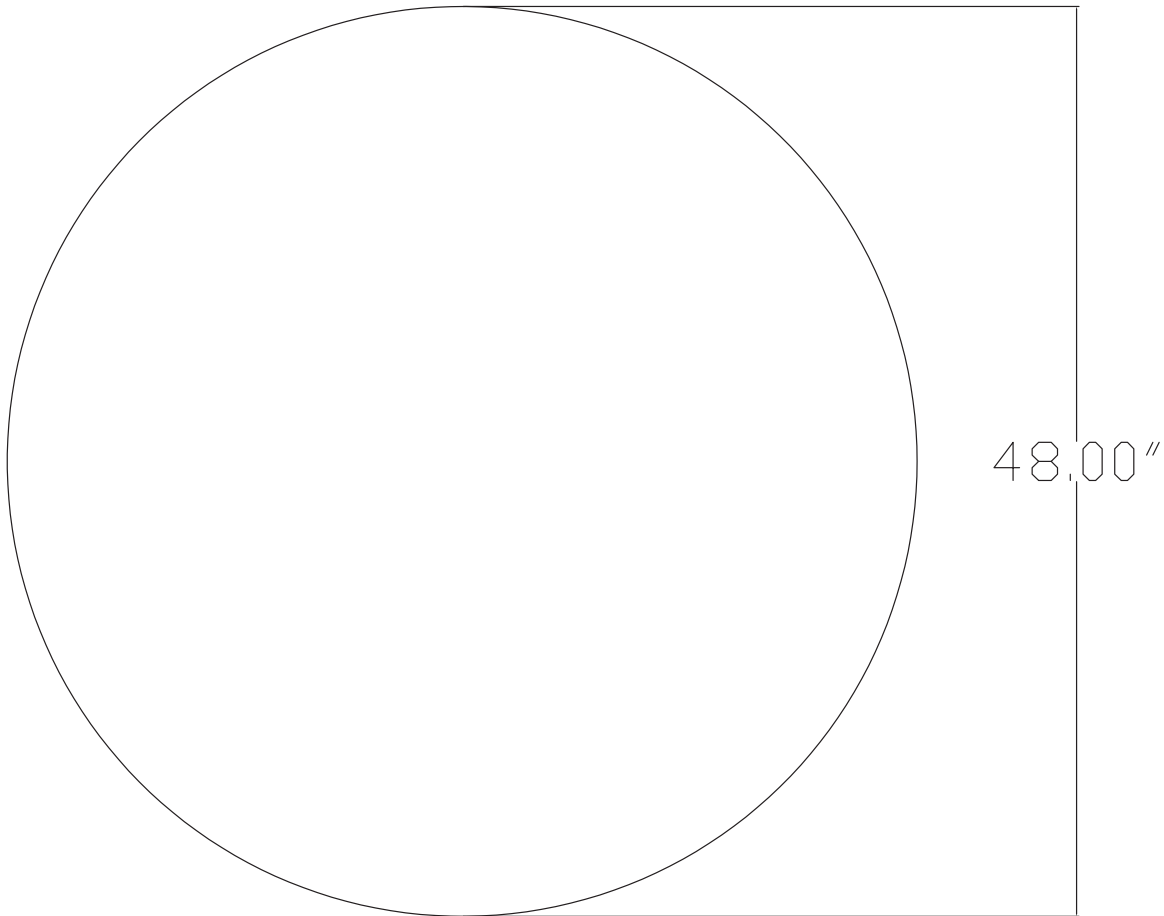
ADA Seating Zone - 30.0" Wide x 19.0" Deep

artcobell



# Shape Tables

## Round



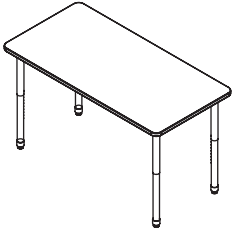
\* DTT-RD48 SHOWN

MODEL	TOP WIDTH"	TOP HEIGHT"			D.B.L.*	ADA SEATING ZONE *	
		JUVENILE	TABLE	STANDING		YES	NO
DTT-RD36E	36.0"	13-18"	19-29"	27-42"	16.9"		X
DTT-RD42E	42.0"	13-18"	19-29"	27-42"	21.3"		X
DTT-RD48E	48.0"	13-18"	19-29"	27-42"	25.5"		X
DTT-RD60E	60.0"	13-18"	19-29"	27-42"	35.3"	X	

**Notes**

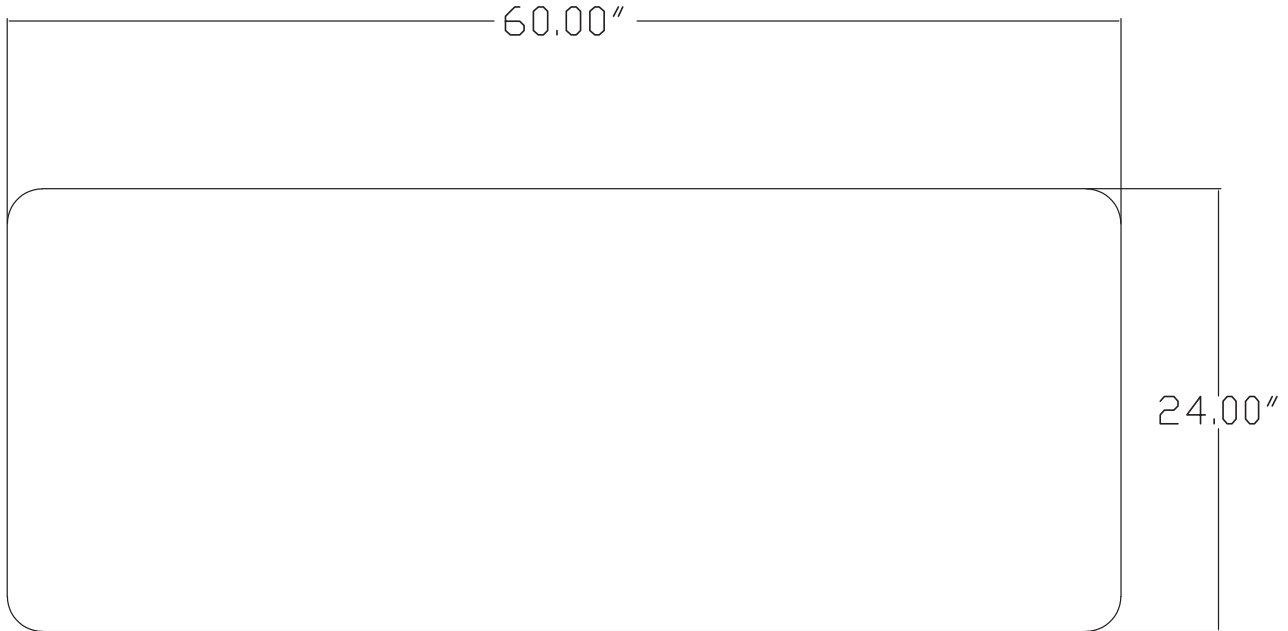
D.B.L. — distance between legs.

ADA Seating Zone - 30.0" Wide x 19.0" Deep



# Shape Tables

## Rectangle



\* DTT-RC2460 SHOWN

MODEL	TOP DEPTH"	TOP WIDTH"	TOP HEIGHT"			D.B.L.*		ADA SEATING ZONE *	
			JUVENILE	TABLE	STANDING	MIN."	MAX"	YES	NO
DTT-RC1848E	18.0"	48.0"	13-18"	19-29"	27-42"	9.9"	39.9"		X
DTT-RC1860E	18.0"	60.0"	13-18"	19-29"	27-42"	9.9"	51.9"		X
DTT-RC1872E	18.0"	72.0"	13-18"	19-29"	27-42"	9.9"	63.9"		X
DTT-RC2436E	24.0"	36.0"	13-18"	19-29"	27-42"	9.9"			X
DTT-RC2448E	24.0"	48.0"	13-18"	19-29"	27-42"	14.5"	38.5"	X	
DTT-RC2460E	24.0"	60.0"	13-18"	19-29"	27-42"	14.5"	50.5"	X	
DTT-RC2472E	24.0"	72.0"	13-18"	19-29"	27-42"	14.5"	62.5"	X	
DTT-RC3048E	30.0"	48.0"	13-18"	19-29"	27-42"	20.5"	38.5"	X	
DTT-RC3060E	30.0"	60.0"	13-18"	19-29"	27-42"	20.5"	50.5"	X	
DTT-RC3072E	30.0"	72.0"	13-18"	19-29"	27-42"	20.5"	62.5"	X	
DTT-RC3660E	36.0"	60.0"	13-18"	19-29"	27-42"	26.5"	50.5"	X	
DTT-RC3672E	36.0"	72.0"	13-18"	19-29"	27-42"	26.5"	62.5"	X	

**Notes**

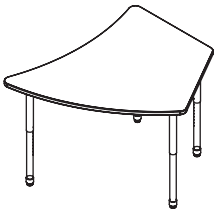
D.B.L. — distance between legs.

ADA Seating Zone - 30.0" Wide x 19.0" Deep

Artcobell's practice of continuous improvement in design & engineering requires that materials & methods be subject to change without prior notice.

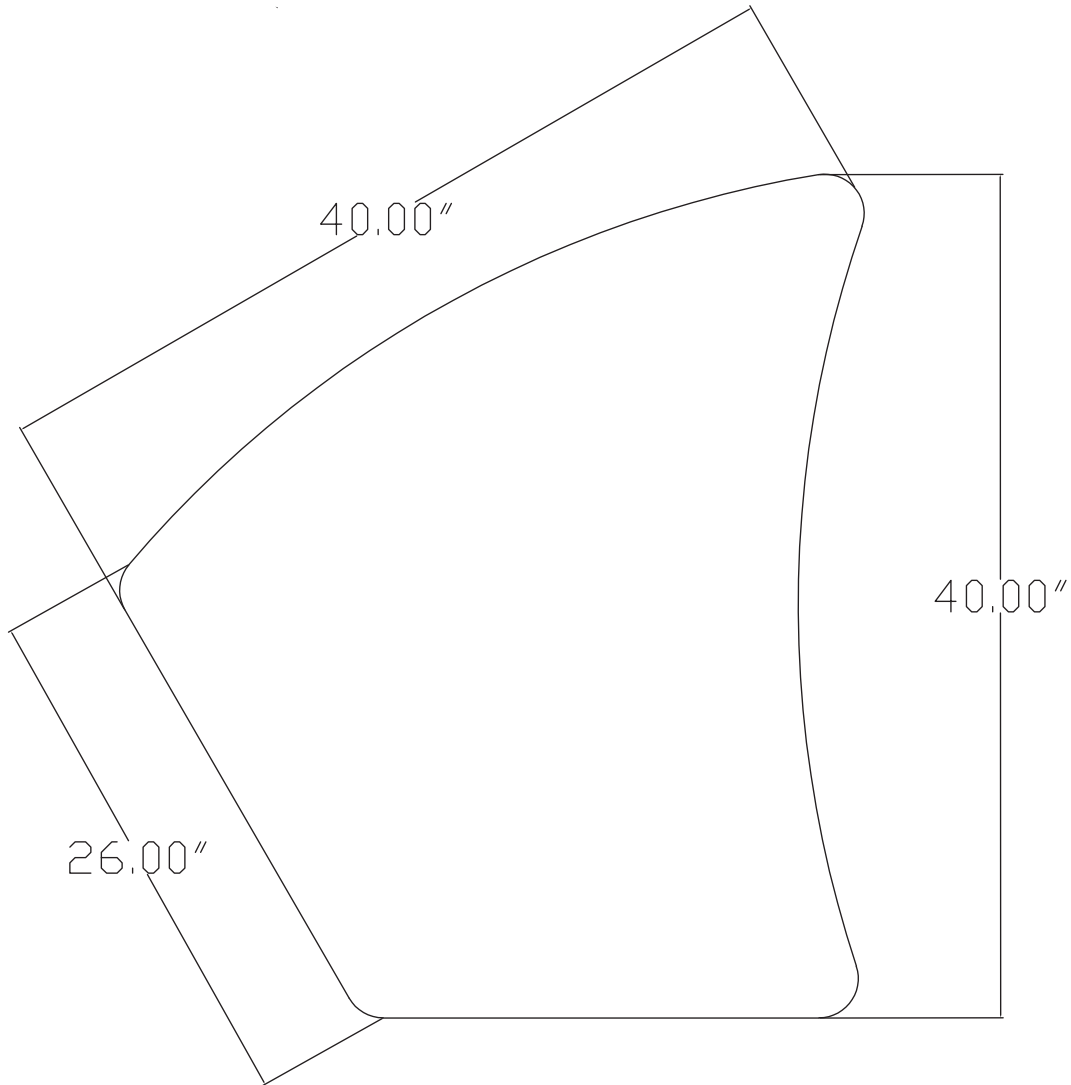
T.S.T (7/7/2022) Artcobell Specifications

artcobell



# Shape Tables

## Aperture

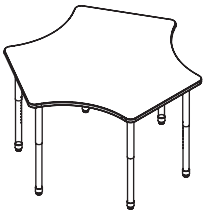


MODEL	TOP DEPTH"	TOP WIDTH"	TOP HEIGHT"			D.B.L.*		ADA SEATING ZONE *	
			JUVENILE	TABLE	STANDING	MIN.@"	MAX.@"	YES	NO
DTT-AP2440E	35.5"	40.6"	13-18"	19-29"	27-42"	14.8"	29.1"		X

**Notes**

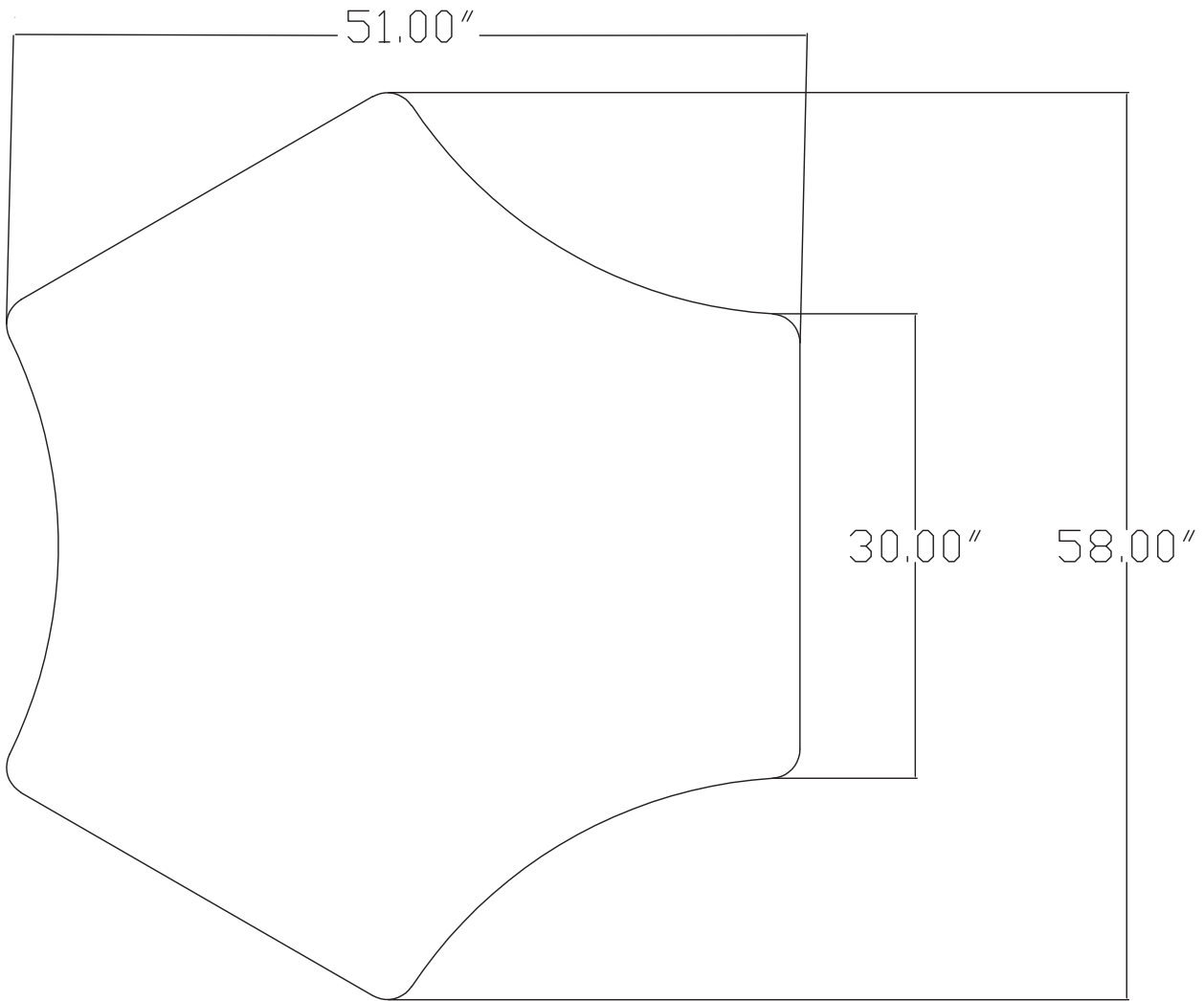
D.B.L. — distance between legs.  
 ADA Seating Zone - 30.0" Wide x 19.0" Deep

artcobell



# Shape Tables

## 3-Position

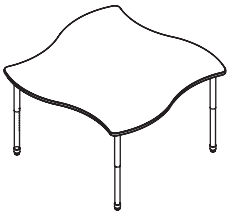


MODEL	TOP	TOP HEIGHT"			D.B.L.*		ADA SEATING ZONE *	
		JUVENILE	TABLE	STANDING	MIN."	MAX"	YES	NO
DTT-3P3060E	60.0"	13-18"	19-29"	27-42"	20.5"	25.3"		X

**Notes**

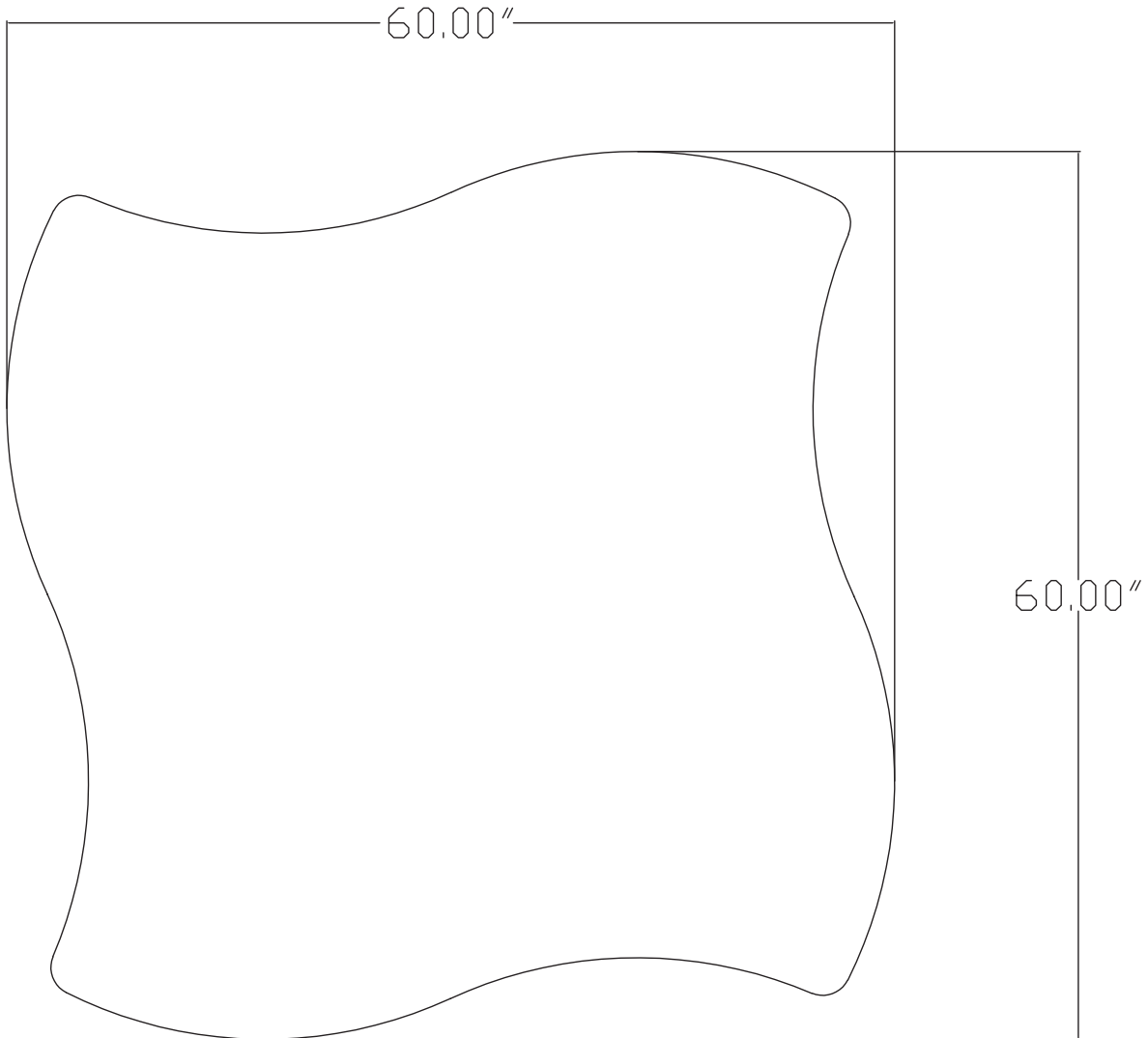
D.B.L. — distance between legs.  
 ADA Seating Zone - 30.0" Wide x 19.0" Deep

artcobell



# Shape Tables

## Nova



MODEL	TOP DEPTH"	TOP WIDTH"	TOP HEIGHT"			D.B.L.*		ADA SEATING ZONE *	
			JUVENILE	TABLE	STANDING	MIN."	MAX"	YES	NO
DTT-NV60E	60.0"	60.0"	13-18"	19-29"	27-42"	44.8"	X		

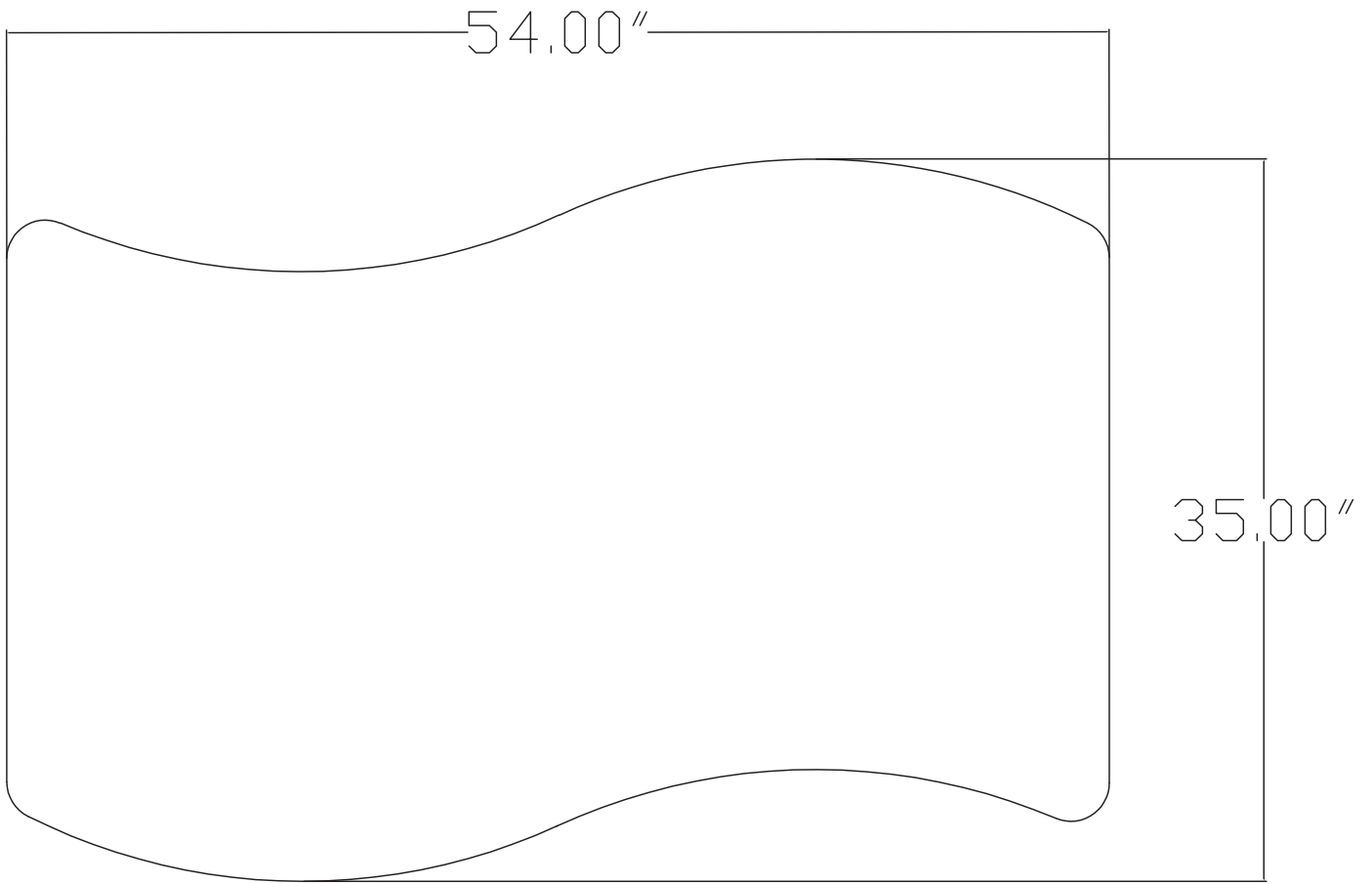
**Notes**

D.B.L. — distance between legs.

ADA Seating Zone - 30.0" Wide x 19.0" Deep



# Shape Tables Expanse



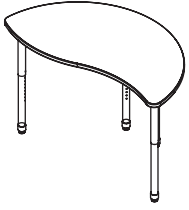
MODEL	TOP DEPTH"	TOP WIDTH"	TOP HEIGHT"			D.B.L.*		ADA SEATING ZONE *	
			JUVENILE	TABLE	STANDING	MIN."	MAX"	YES	NO
DTT-EX3054E	30.0"	54.0"	13-18"	19-29"	27-42"	22.9"	47"	X	

**Notes**

D.B.L. — distance between legs.  
 ADA Seating Zone - 30.0" Wide x 19.0" Deep

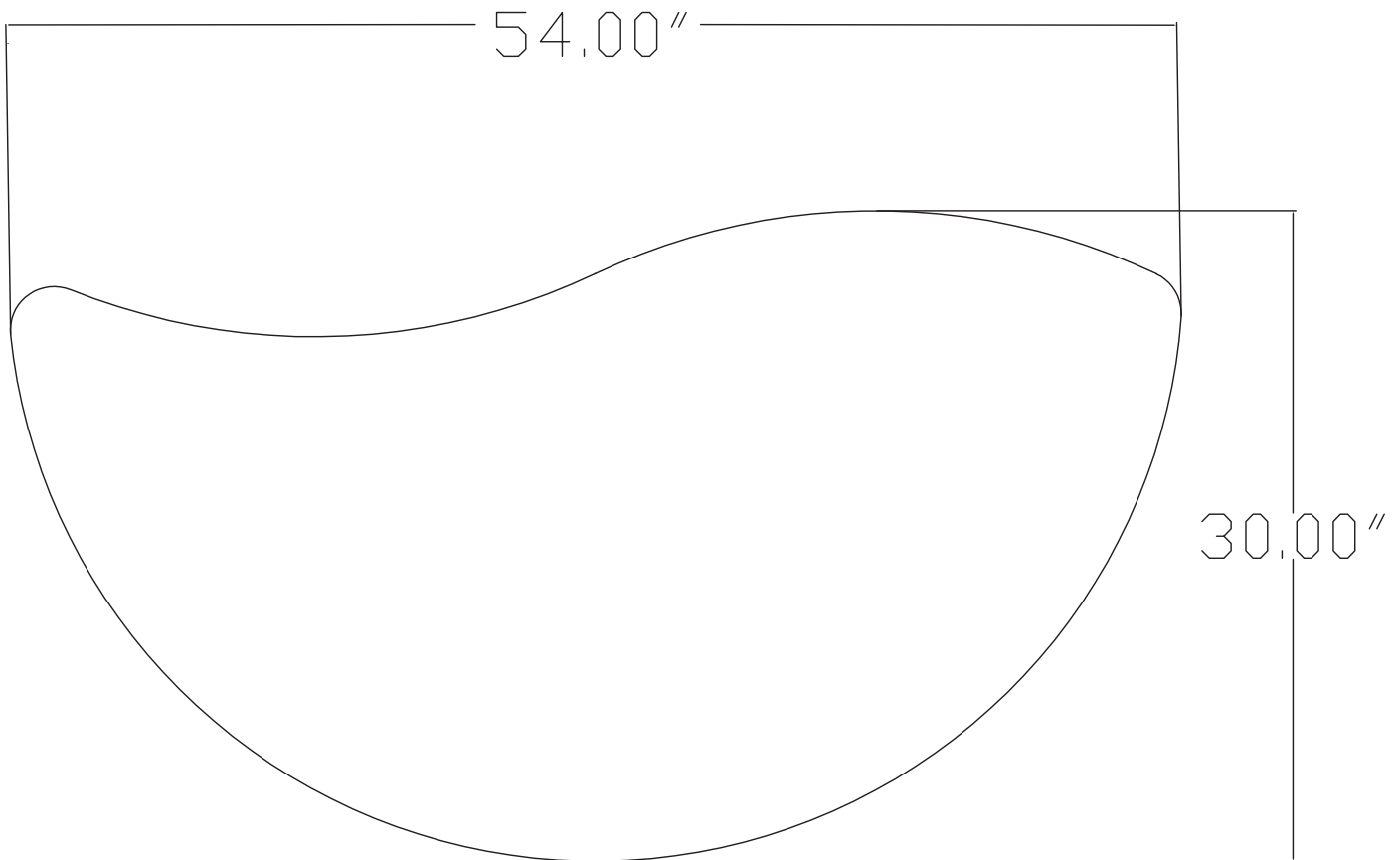
artcobell





# Shape Tables

## Nebula

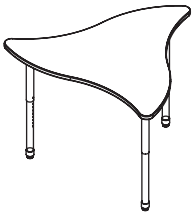


MODEL	TOP DEPTH"	TOP WIDTH"	TOP HEIGHT"			D.B.L.*		ADA SEATING ZONE *	
			JUVENILE	TABLE	STANDING	MIN."	MAX"	YES	NO
DTT-NB3054E	30.0"	54.0"	13-18"	19-29"	27-42"	21.8"	42.8"	X	

**Notes**

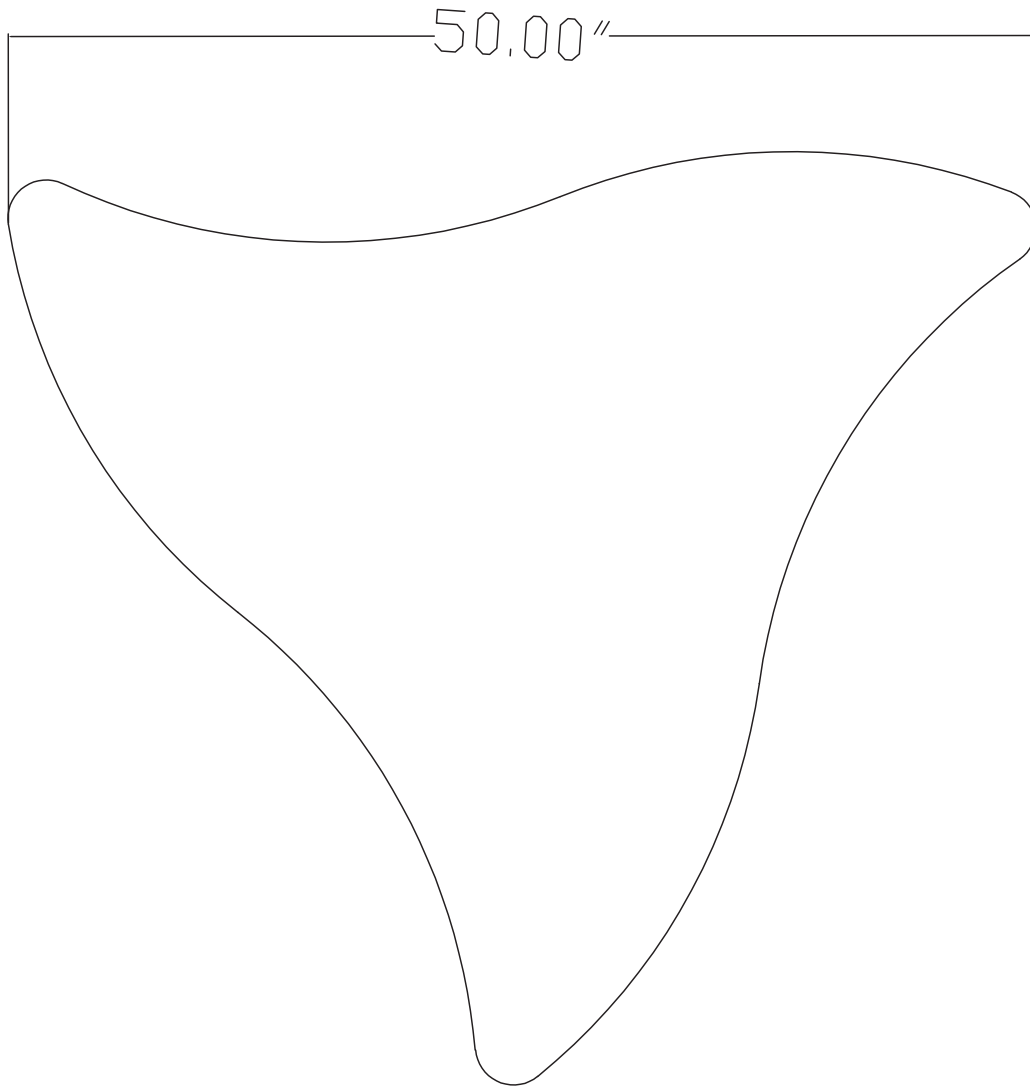
D.B.L. — distance between legs.  
 ADA Seating Zone - 30.0" Wide x 19.0" Deep

artcobell



# Shape Tables

## Gravity



MODEL	TOP DEPTH"	TOP WIDTH"	TOP HEIGHT"			D.B.L.*		ADA SEATING ZONE *	
			JUVENILE	TABLE	STANDING	MIN."	MAX"	YES	NO
DTT-GV50E	50.0"	50.0"	13-18"	19-29"	27-42"	35.5"	X	X	

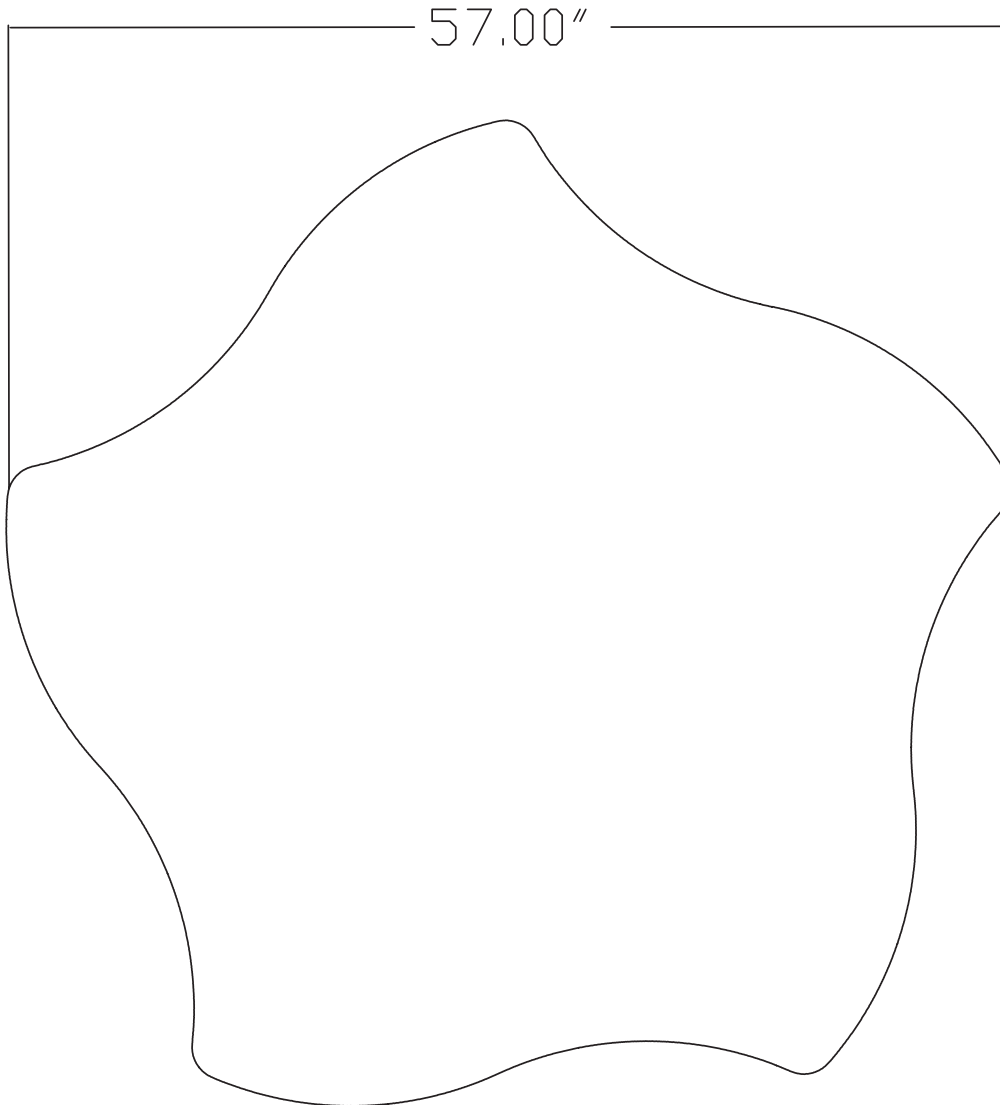
**Notes**

D.B.L. — distance between legs.  
 ADA Seating Zone - 30.0" Wide x 19.0" Deep



# Shape Tables

## Star

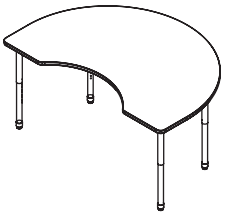


MODEL	TOP DEPTH"	TOP WIDTH"	TOP HEIGHT"			D.B.L.*		ADA SEATING ZONE *	
			JUVENILE	TABLE	STANDING	MIN."	MAX"	YES	NO
DTT-ST60E	60.0"	60.0"	13-18"	19-29"	27-42"	26.6"	X		X

**Notes**

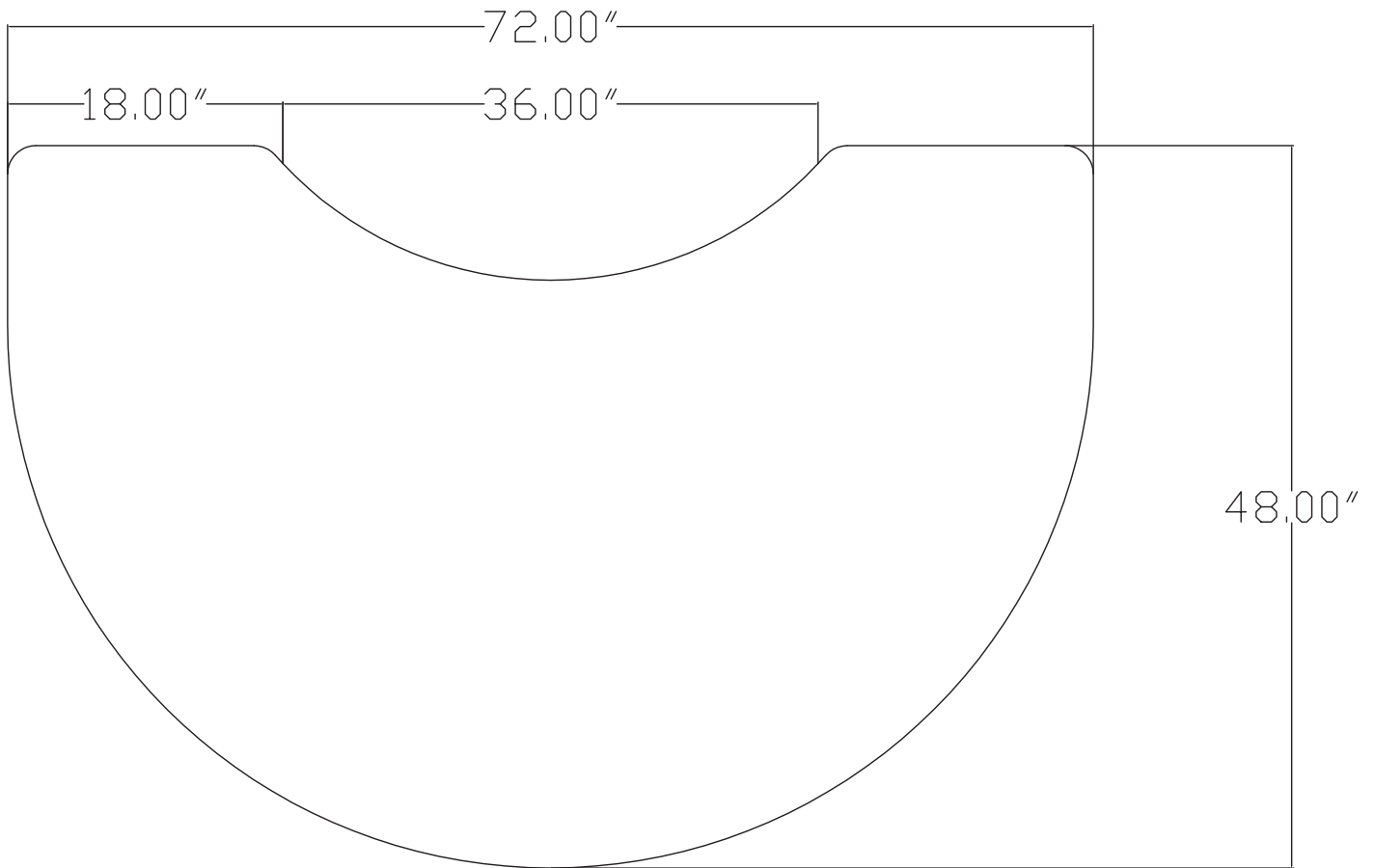
D.B.L. — distance between legs.  
 ADA Seating Zone - 30.0" Wide x 19.0" Deep

artcobell



# Shape Tables

## Kidney

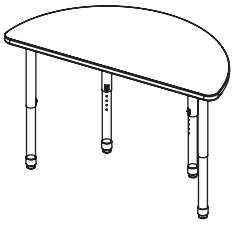


MODEL	TOP DEPTH"	TOP WIDTH"	TOP HEIGHT"			D.B.L.*		ADA SEATING ZONE *	
			JUVENILE	TABLE	STANDING	MIN."	MAX"	YES	NO
DTT-KD4872E	48.0"	72.0"	13-18"	19-29"	27-42"	28.7"	60.0"	X	

**Notes**

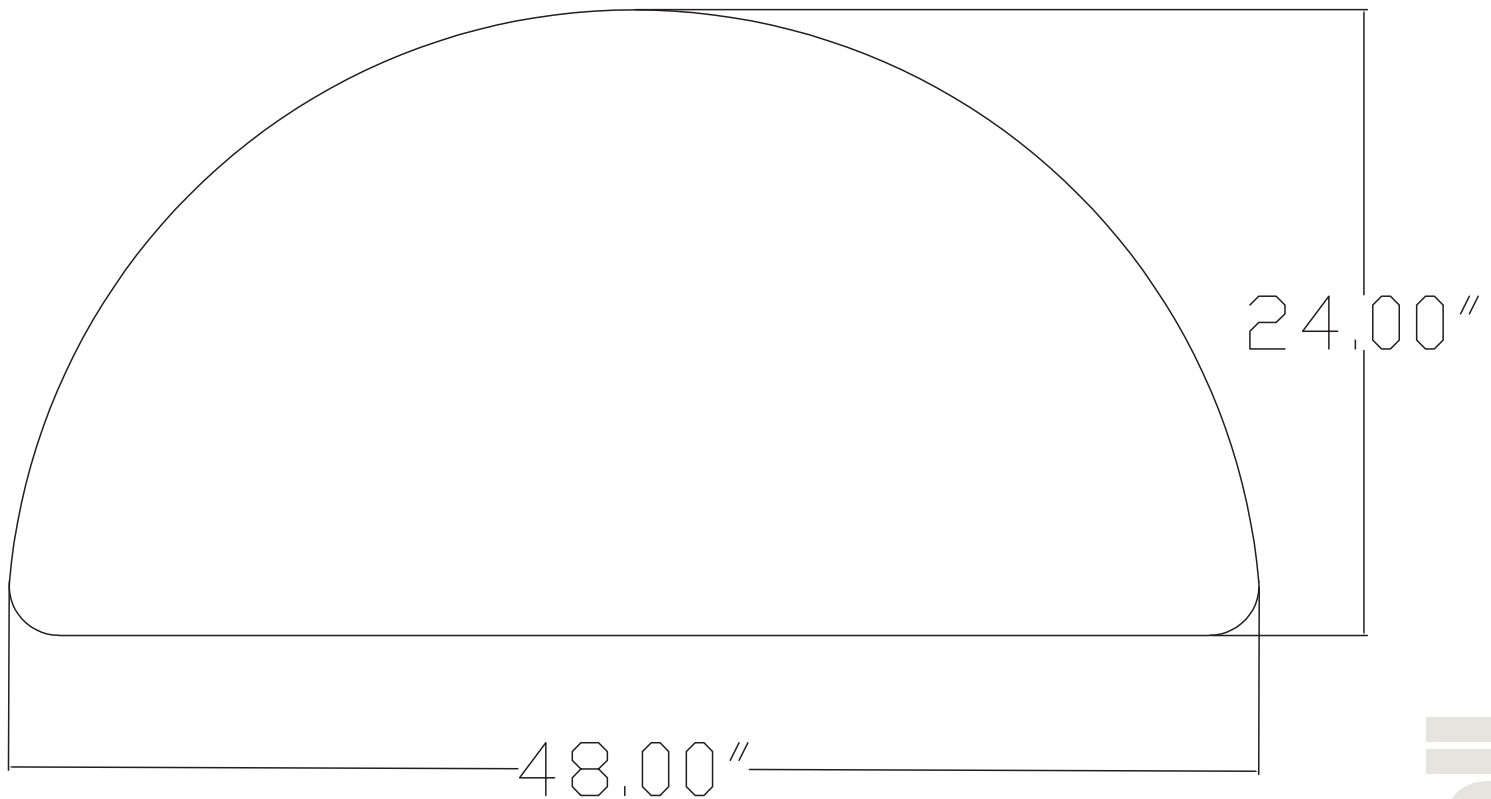
D.B.L. — distance between legs.  
 ADA Seating Zone - 30.0" Wide x 19.0" Deep

artcobell



# Shape Tables

## Half-Round

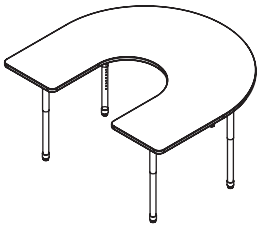


MODEL	TOP DEPTH"	TOP WIDTH"	TOP HEIGHT"			D.B.L.*		ADA SEATING ZONE *	
			JUVENILE	TABLE	STANDING	MIN."	MAX"	YES	NO
DTT-HR48E	24.0"	48.0"	13-18"	19-29"	27-42"	15.7"	38.0"		X

**Notes**

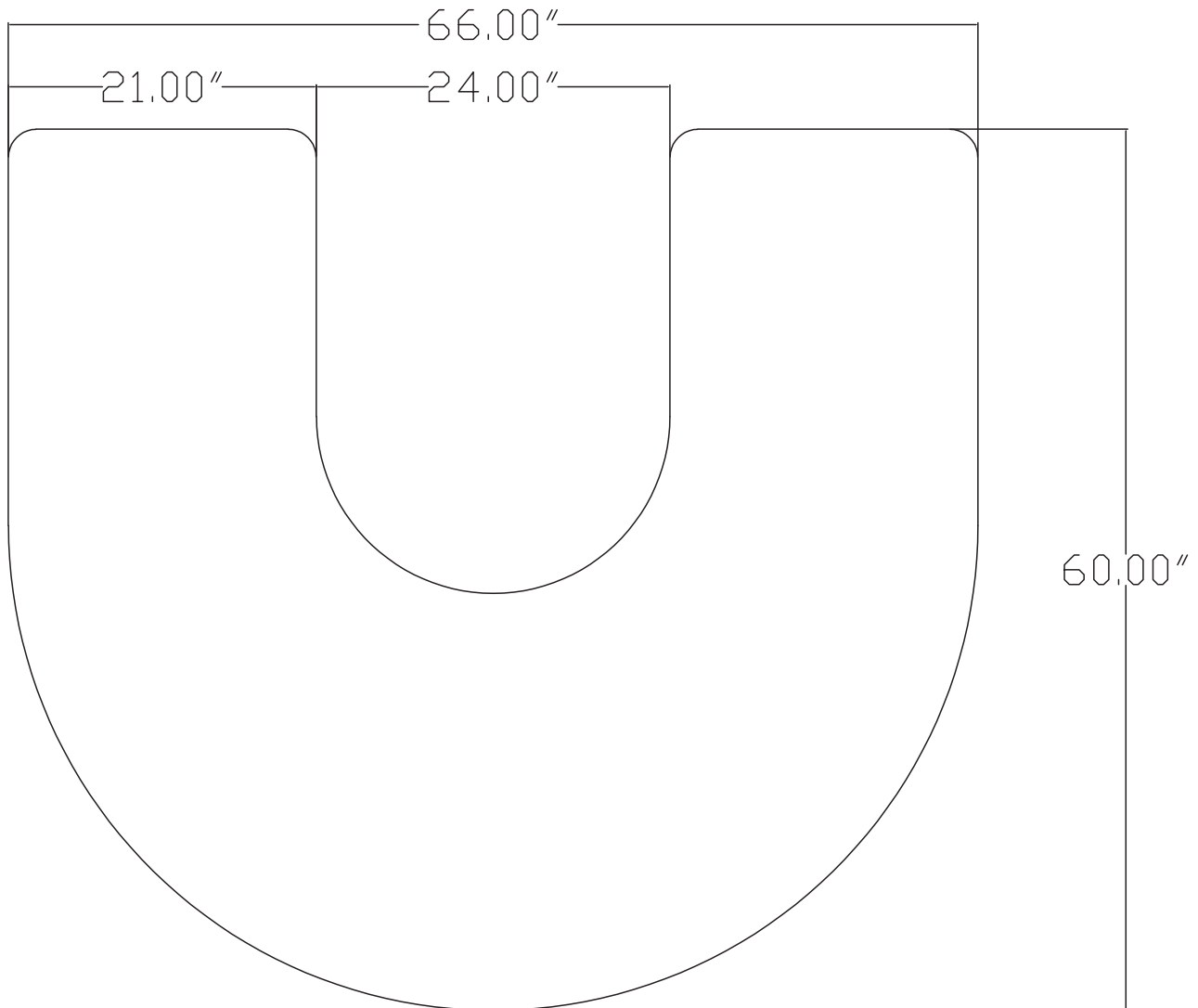
D.B.L. — distance between legs.  
 ADA Seating Zone - 30.0" Wide x 19.0" Deep

artcobell



# Shape Tables

## Horseshoe

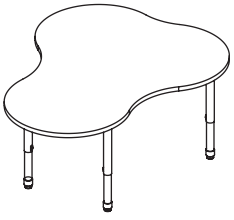


MODEL	TOP DEPTH"	TOP WIDTH"	TOP HEIGHT"			D.B.L.*		ADA SEATING ZONE *	
			JUVENILE	TABLE	STANDING	MIN."	MAX"	YES	NO
DTT-HS6066E	60.0"	66.0"	13-18"	19-29"	27-42"	30.9"	41.0"	X	

**Notes**

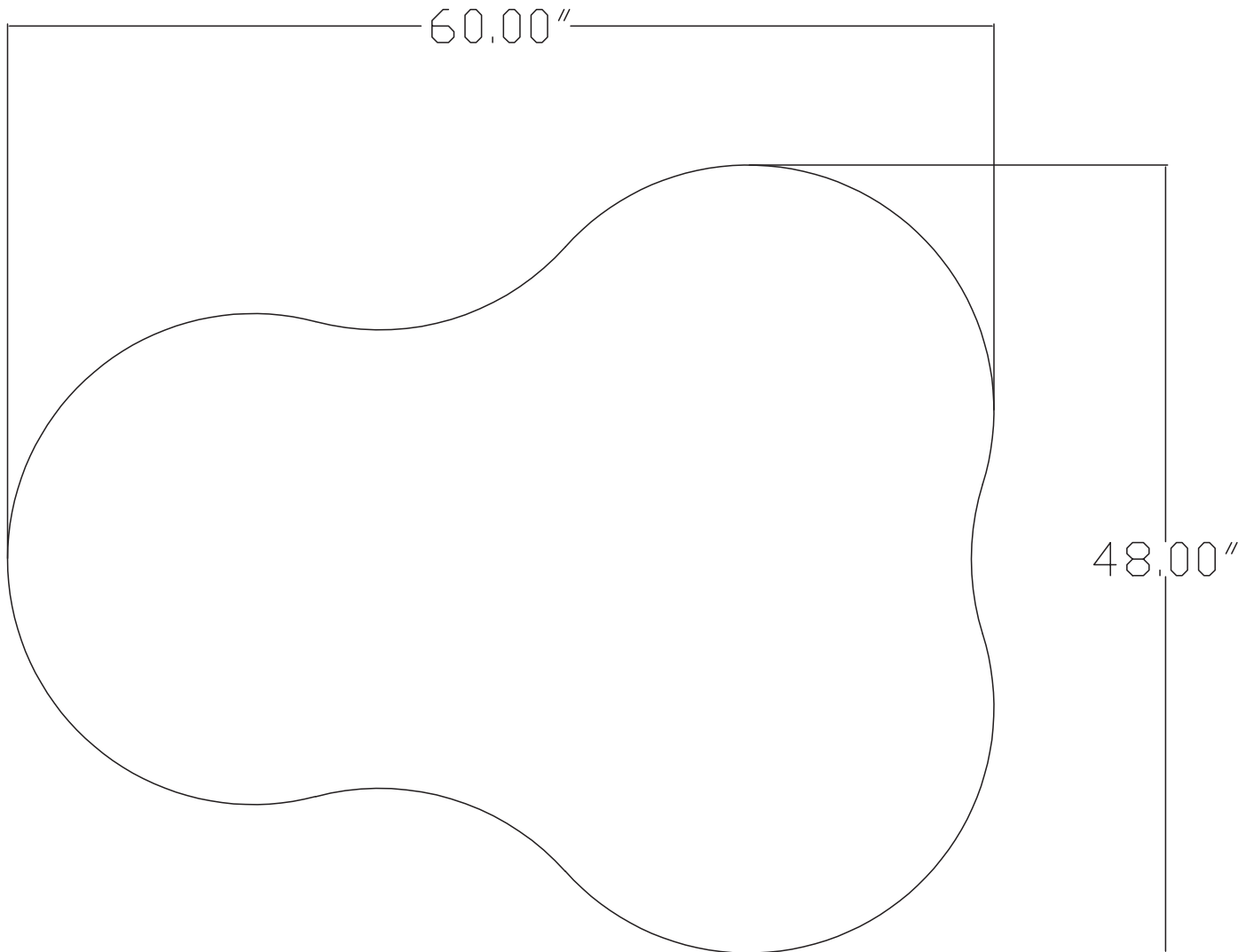
D.B.L. — distance between legs.  
 ADA Seating Zone - 30.0" Wide x 19.0" Deep

artcobell



# Shape Tables

## 4P

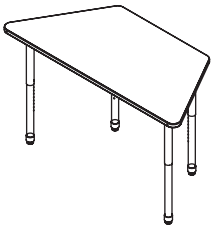


MODEL	TOP DEPTH"	TOP WIDTH"	TOP HEIGHT"			D.B.L.*		ADA SEATING ZONE *	
			JUVENILE	TABLE	STANDING	MIN."	MAX"	YES	NO
DTT-4P4860E	48.0"	60.0"	13-18"	19-29"	27-42"	23.7"	39.6"	X	

**Notes**

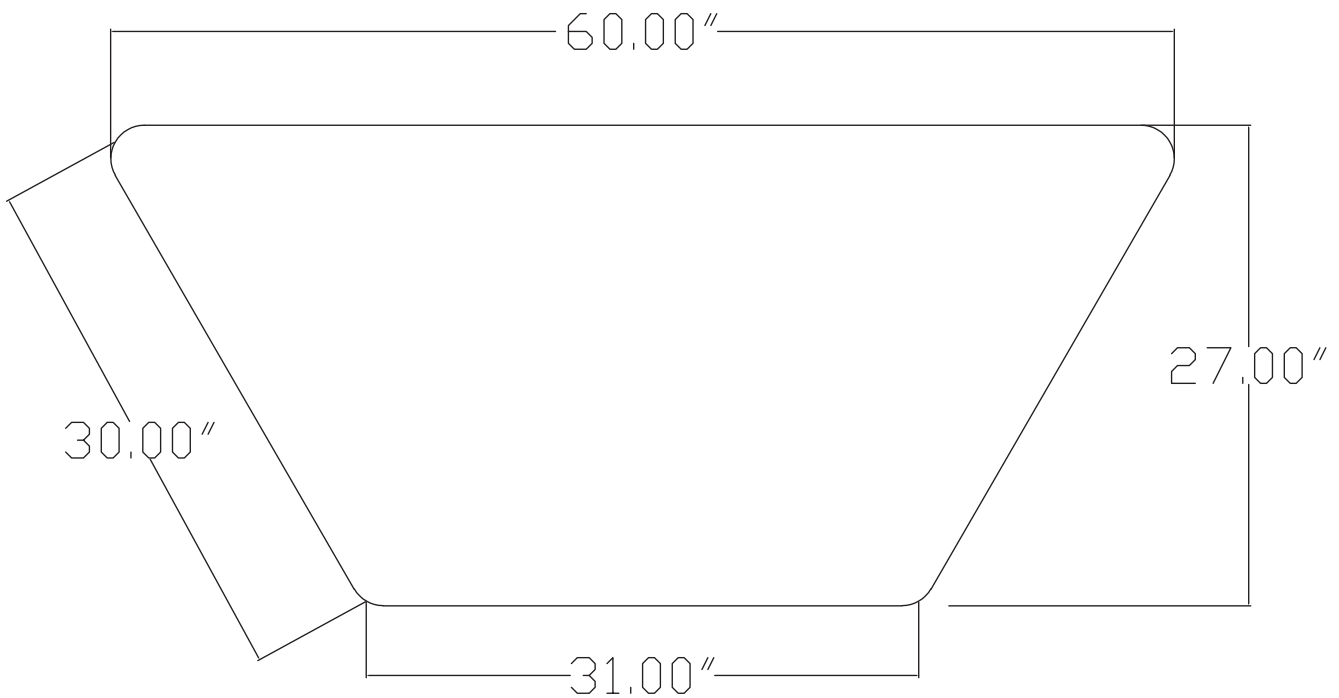
D.B.L. — distance between legs.  
 ADA Seating Zone - 30.0" Wide x 19.0" Deep

artcobell



# Shape Tables

## Trapezoid



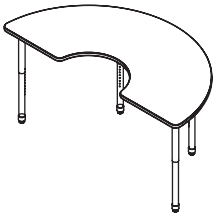
MODEL	TOP DEPTH"	TOP WIDTH"	TOP HEIGHT"			D.B.L.*		ADA SEATING ZONE *	
			JUVENILE	TABLE	STANDING	MIN."	MAX"	YES	NO
DTT-TZ3060E	30.0"	60.0"	13-18"	19-29"	27-42"	21.0"	50.3"	X	

**Notes**

D.B.L. — distance between legs.  
 ADA Seating Zone - 30.0" Wide x 19.0" Deep

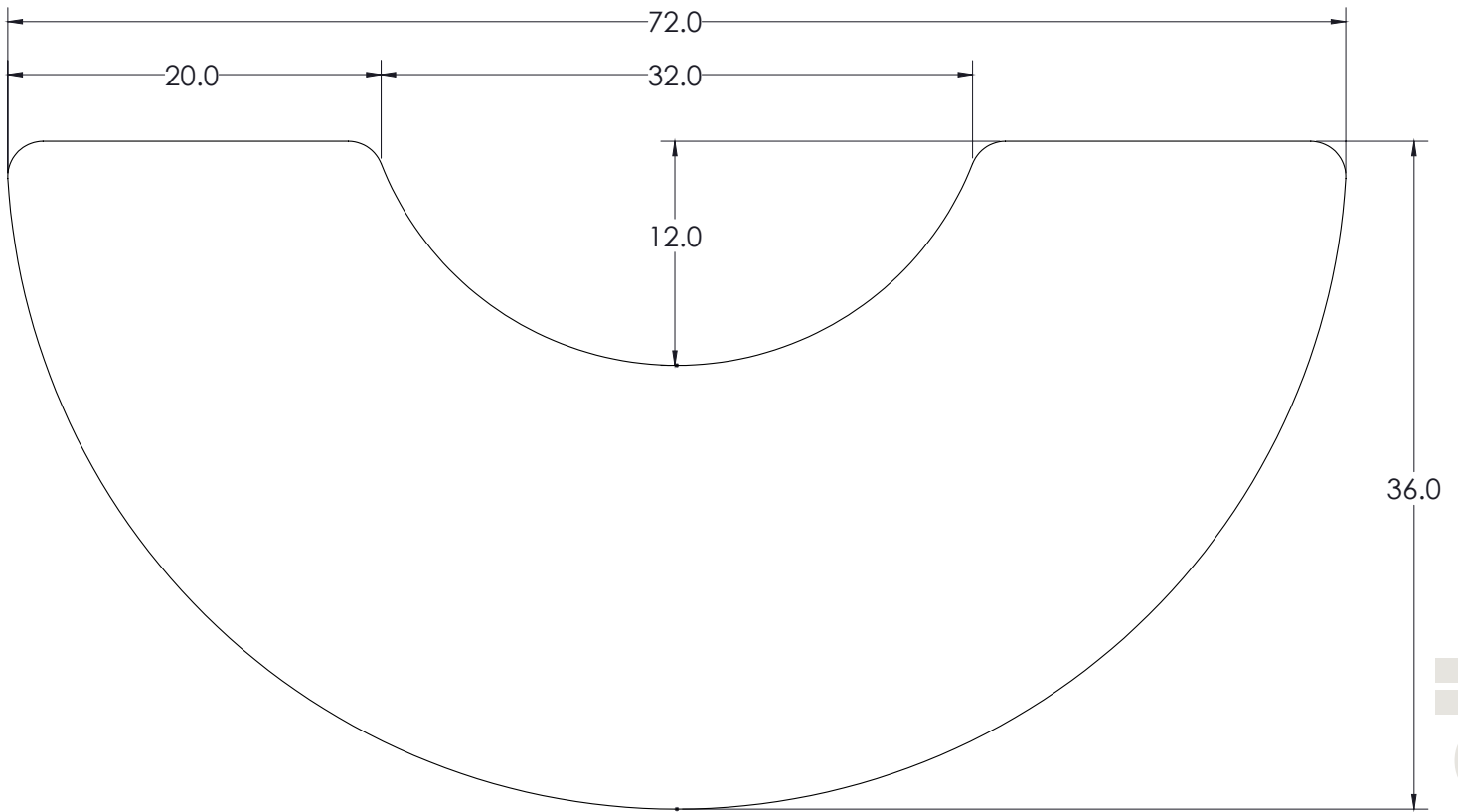
artcobell





# Shape Tables

## Half-Moon

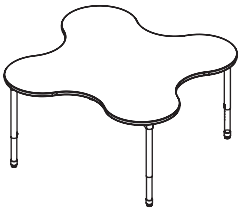


MODEL	TOP DEPTH"	TOP WIDTH"	TOP HEIGHT"			D.B.L.*		ADA SEATING ZONE *	
			JUVENILE	TABLE	STANDING	MIN."	MAX"	YES	NO
DTT-HM3672E	36.0"	72.0"	13-18"	19-29"	27-42"	24.1"	60.0"		X

**Notes**

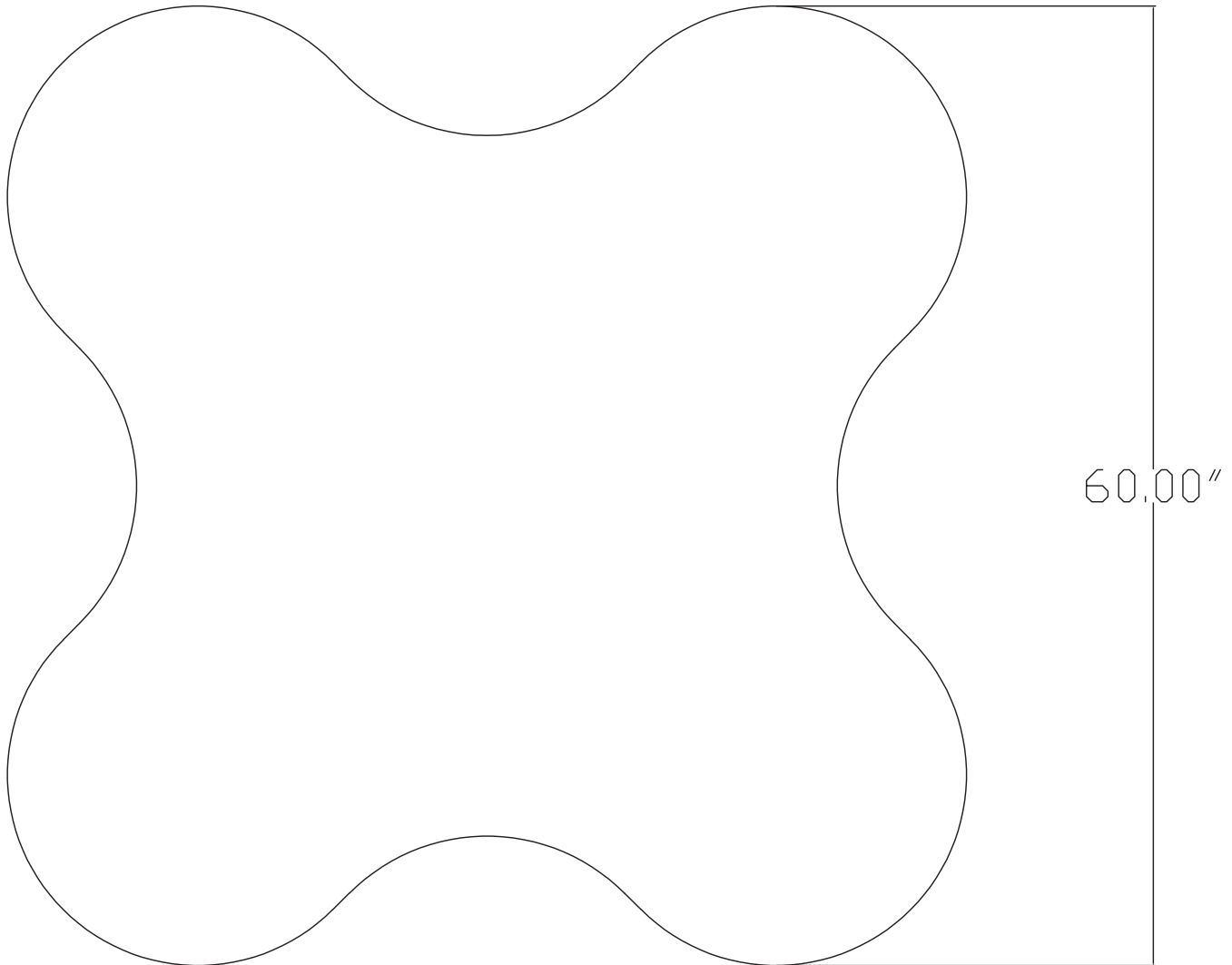
D.B.L. — distance between legs.  
 ADA Seating Zone - 30.0" Wide x 19.0" Deep

artcobell



# Shape Tables

## Puddle

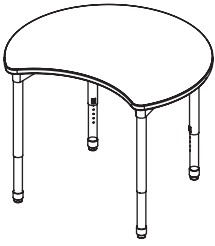


MODEL	TOP DEPTH"	TOP WIDTH"	TOP HEIGHT"			D.B.L.*		ADA SEATING ZONE *	
			JUVENILE	TABLE	STANDING	MIN."	MAX"	YES	NO
DTT-PD60E	60.0"	60.0"	13-18"	19-29"	27-42"	44.9"	44.9"	X	

**Notes**

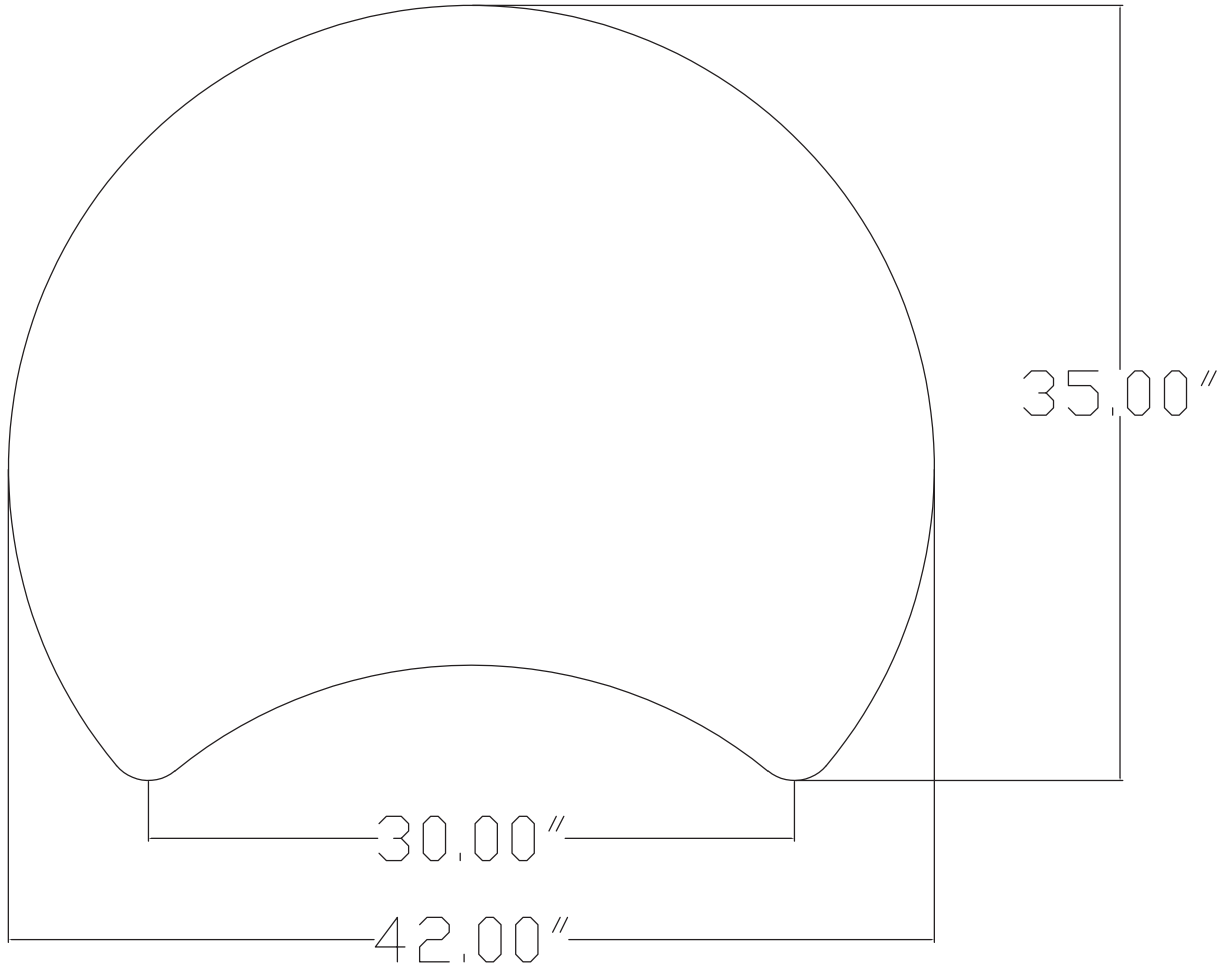
D.B.L. — distance between legs.  
 ADA Seating Zone - 30.0" Wide x 19.0" Deep

artcobell



# Shape Tables

## Crescent

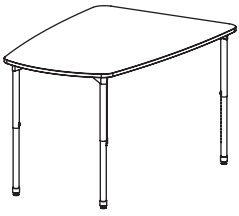


MODEL	TOP DEPTH"	TOP WIDTH"	TOP HEIGHT"			D.B.L.*		ADA SEATING ZONE *	
			JUVENILE	TABLE	STANDING	MIN."	MAX"	YES	NO
DTT-CR3042E	30.0"	42.0"	13-18"	19-29"	27-42"	19.8"	24.7"		X

**Notes**

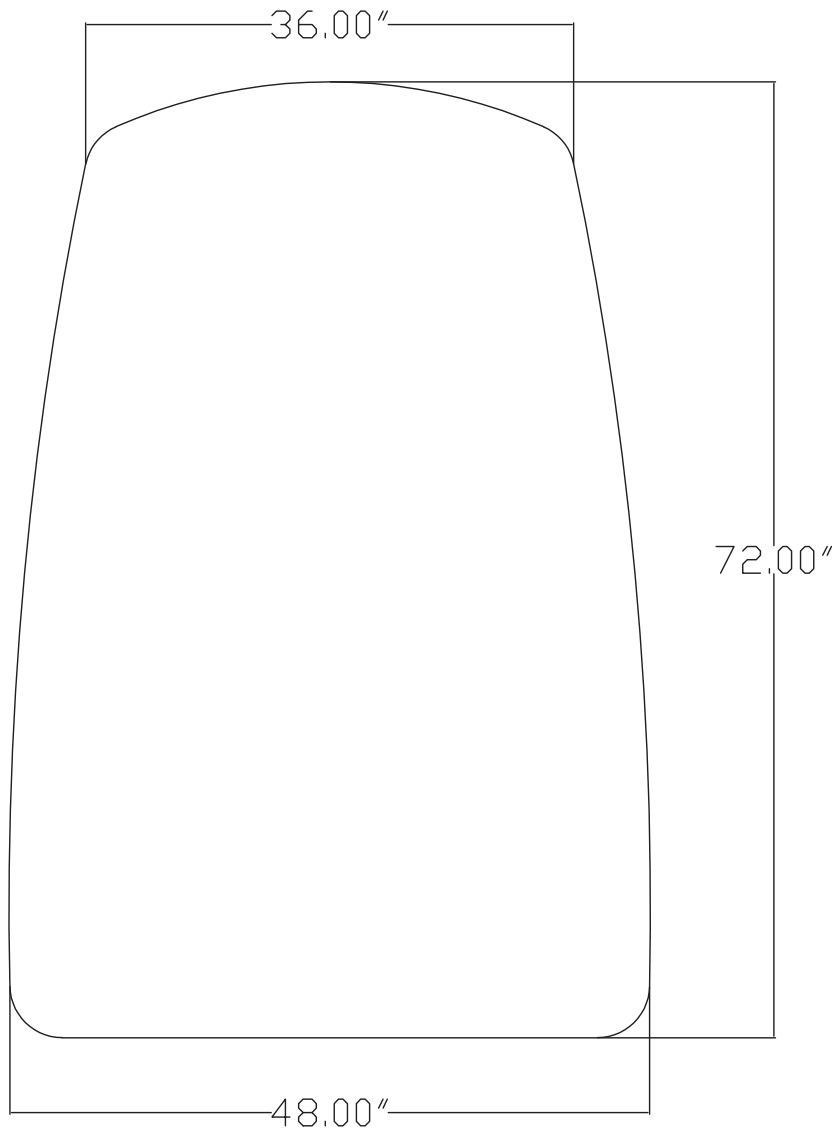
D.B.L. — distance between legs.  
 ADA Seating Zone - 30.0" Wide x 19.0" Deep

artcobell



# Shape Tables

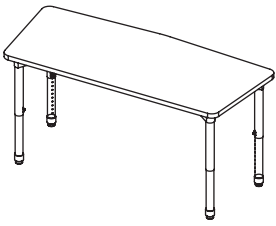
## Multi-Media



MODEL	TOP DEPTH"	TOP WIDTH"	TOP HEIGHT"			D.B.L.*		ADA SEATING ZONE *	
			JUVENILE	TABLE	STANDING	MIN."	MAX"	YES	NO
DTT-MM4872E	48.0"	72.0"	13-18"	19-29"	27-42"	26.4"	58.3"	X	

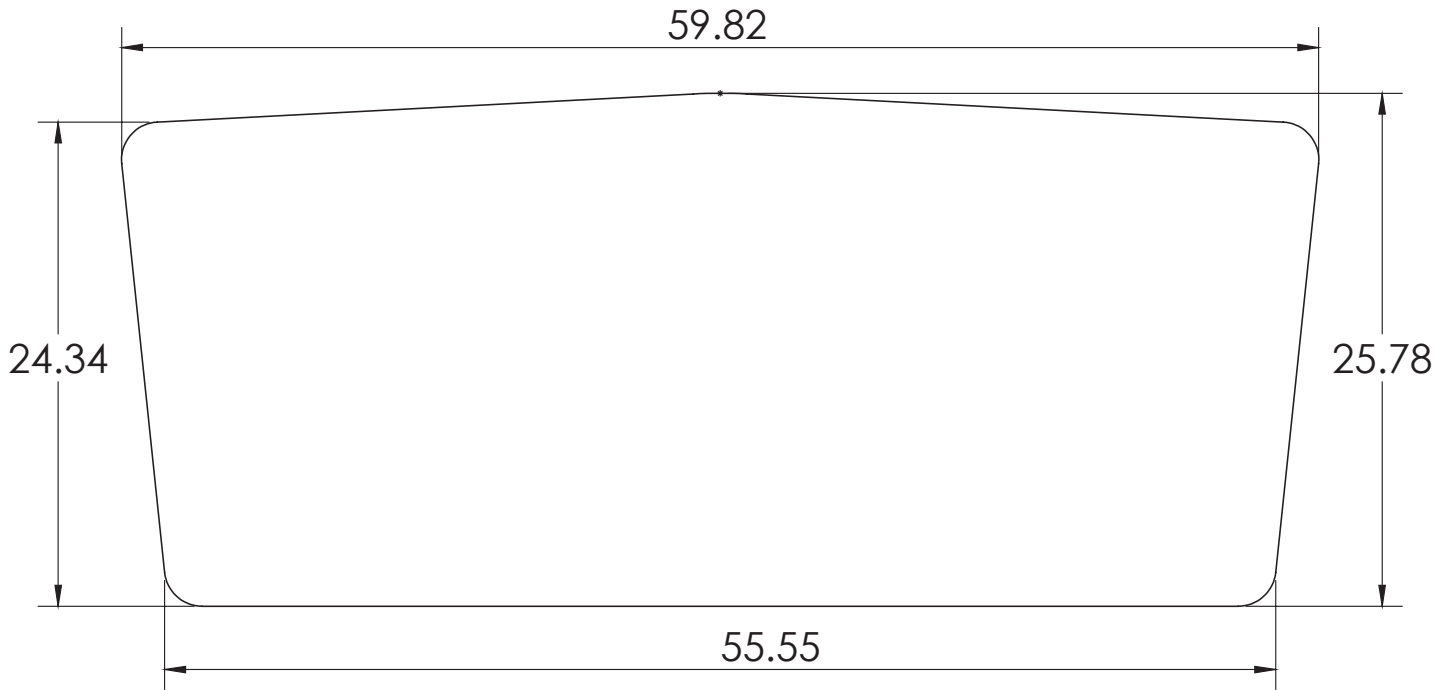
**Notes**

D.B.L. — distance between legs.  
 ADA Seating Zone - 30.0" Wide x 19.0" Deep



# Shape Tables

## Chevron



MODEL	TOP DEPTH"	TOP WIDTH"	TOP HEIGHT"			D.B.L.*		ADA SEATING ZONE *	
			JUVENILE	TABLE	STANDING	MIN."	MAX"	YES	NO
DTT-CV2460E	24.0"	60.0"	13-18"	19-29"	27-42"	14.5"	38.5"	X	

**Notes**

D.B.L. — distance between legs.

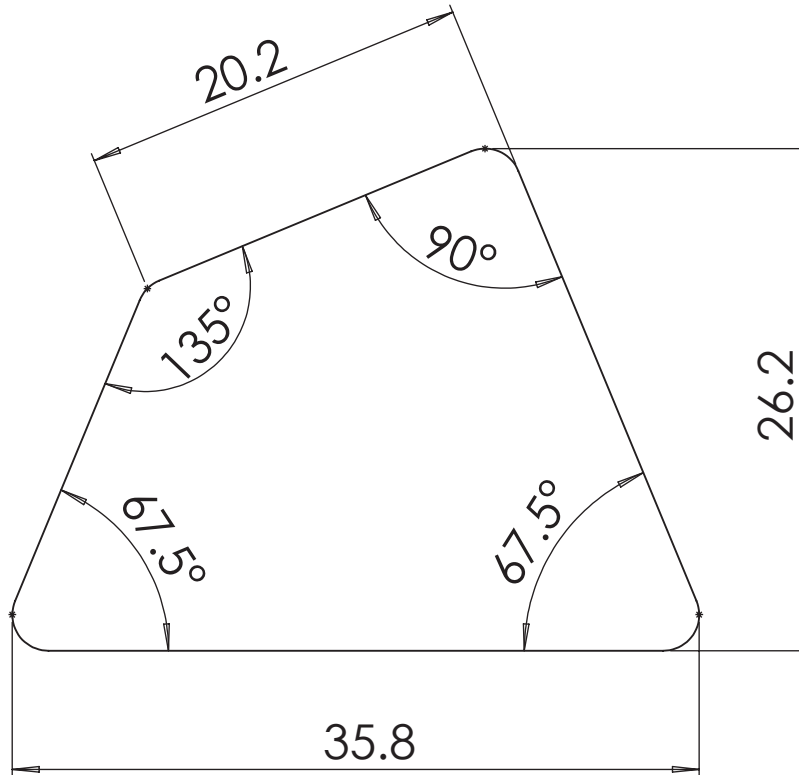
ADA Seating Zone - 30.0" Wide x 19.0" Deep

artcobell



# Shape Tables

## Chain



MODEL	TOP DEPTH"	TOP WIDTH"	TOP HEIGHT"			D.B.L.*		ADA SEATING ZONE *	
			JUVENILE	TABLE	STANDING	MIN."	MAX"	YES	NO
DTT-CH2636E	26.0"	36.0"	13-18"	19-29"	27-42"	14.4"	29.1"		X

**Notes**

D.B.L. — distance between legs.

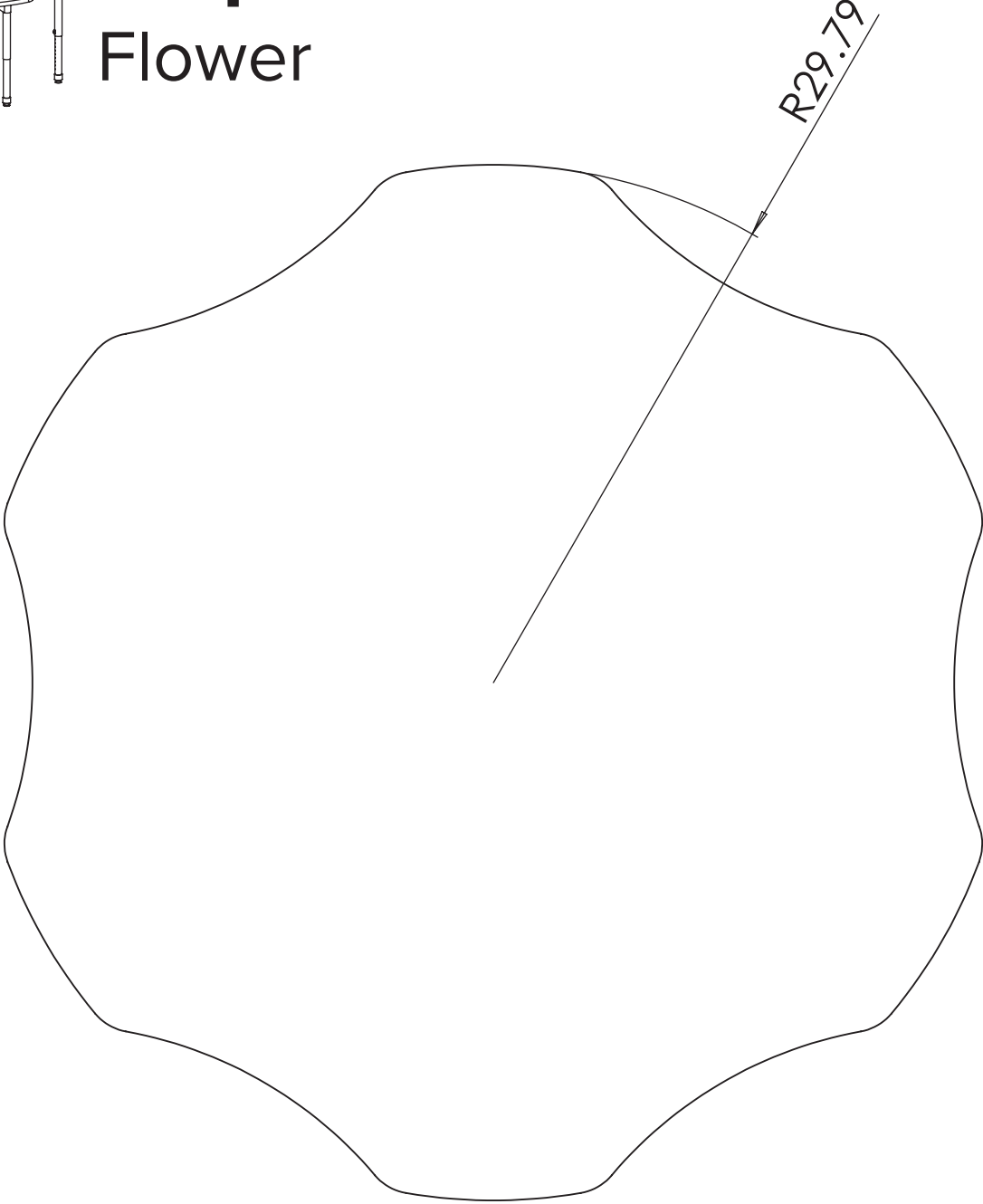
ADA Seating Zone - 30.0" Wide x 19.0" Deep

artcobell



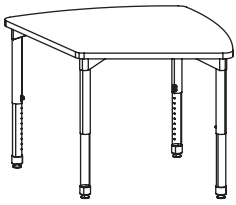
# Shape Tables

## Flower



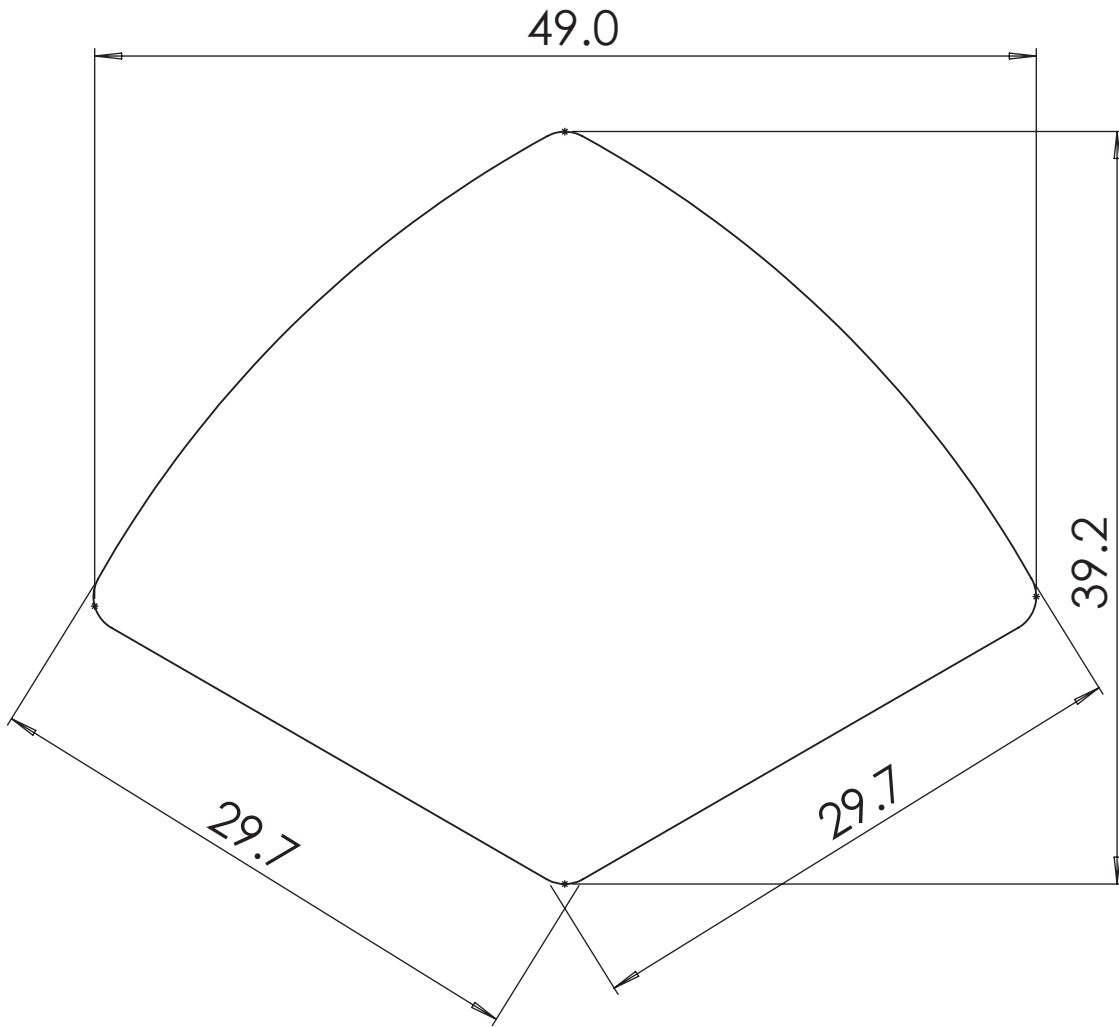
MODEL	TOP WIDTH"	TOP HEIGHT"			D.B.L.*		ADA SEATING ZONE *	
		JUVENILE	TABLE	STANDING	MIN."	MAX"	YES	NO
DTT-FL60E	60.0"	13-18"	19-29"	27-42"	24.9"	44.5"	X	

**Notes**  
 D.B.L. — distance between legs.  
 ADA Seating Zone - 30.0" Wide x 19.0" Deep



# Shape Tables

## Gem



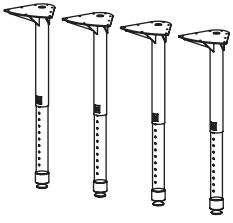
MODEL	TOP DEPTH"	TOP WIDTH"	TOP HEIGHT"			D.B.L.*		ADA SEATING ZONE *	
			JUVENILE	TABLE	STANDING	MIN."	MAX"	YES	NO
DTT-GM3950E	39.0"	50.0"	13-18"	19-29"	27-42"	23.7"	29.2"		X

**Notes**

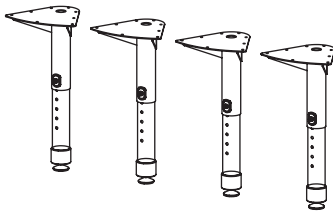
D.B.L. — distance between legs.  
 ADA Seating Zone - 30.0" Wide x 19.0" Deep

artcobell



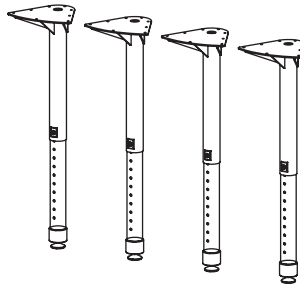


# Shape Tables Post Legs



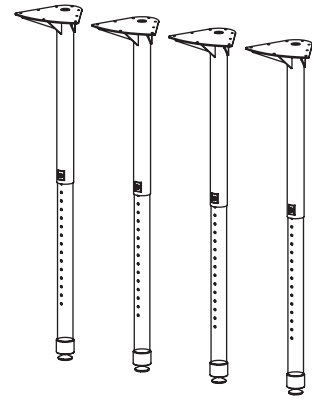
**15"-20"  
JUVENILE HEIGHT**

DTLP-4AJP



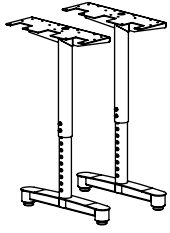
**19"-29"  
TABLE HEIGHT**

DTLP-4ATP



**27"-42"  
STANDING HEIGHT**

DTLP-4ASP



# Shape Tables

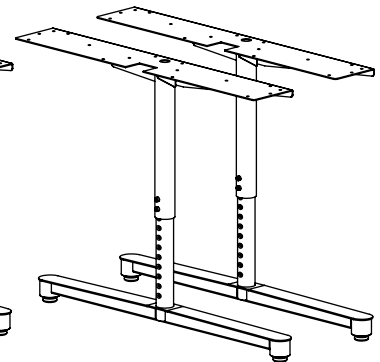
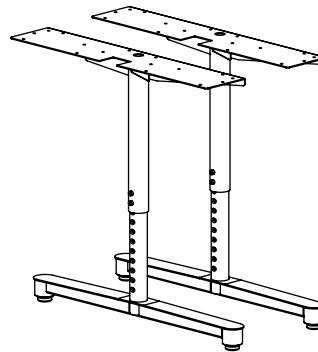
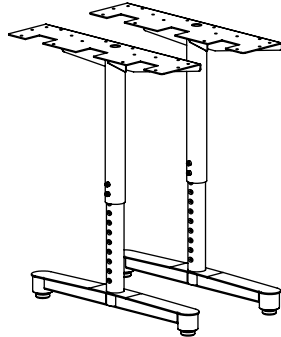
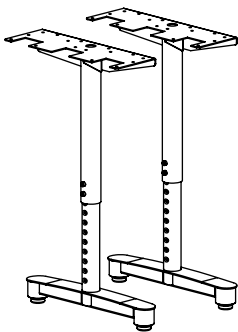
## T-Legs

### Shape Table | T-Legs

Choose the right T-Leg for your shape tables

Model	18"	24"	30"	36"
DTT-SQ36E			✓	✓
DTT-RC1848E	✓			
DTT-RC1860E	✓			
DTT-RC1872E	✓			
DTT-RC2436E		✓		
DTT-RC2448E		✓		
DTT-RC2460E		✓		

Model	18"	24"	30"	36"
DTT-RC2472E		✓		
DTT-RC3048E			✓	
DTT-RC3060E			✓	
DTT-RC3072E			✓	
DTT-RC3660E				✓
DTT-RC3672E				✓

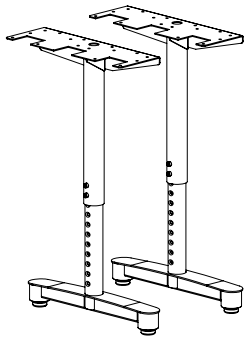


18" SPREAD

24" SPREAD

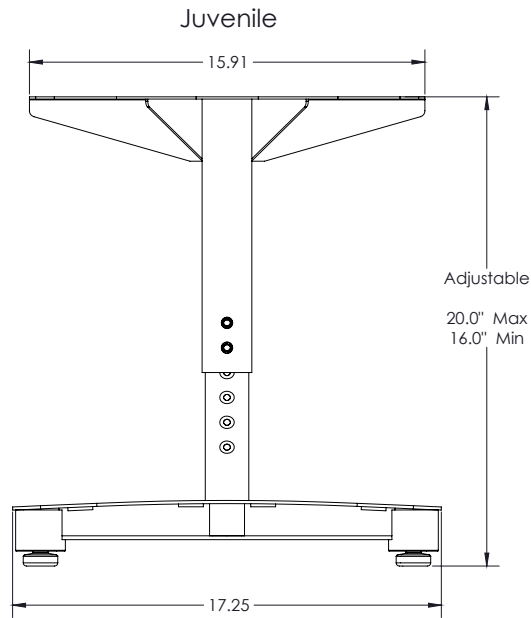
30" SPREAD

36" SPREAD



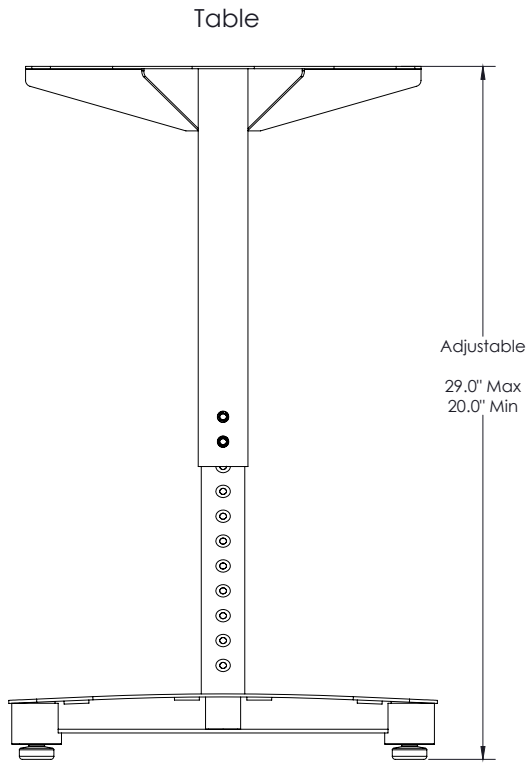
# Shape Tables

## T-Legs | 18" Spread



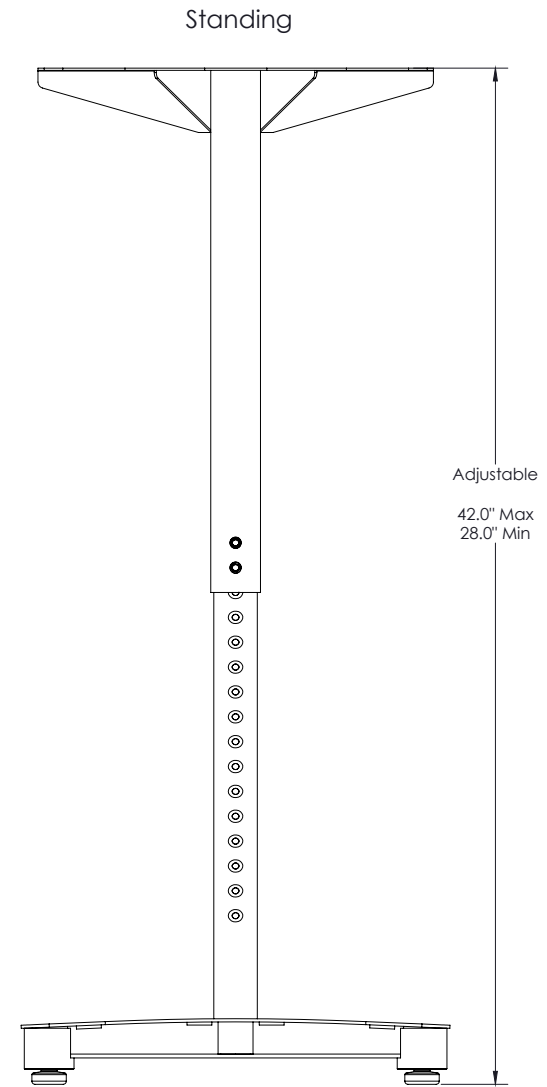
**16"-20"  
JUVENILE HEIGHT**

DTLT-2AJ18



**20"-29"  
TABLE HEIGHT**

DTLT-2AT18

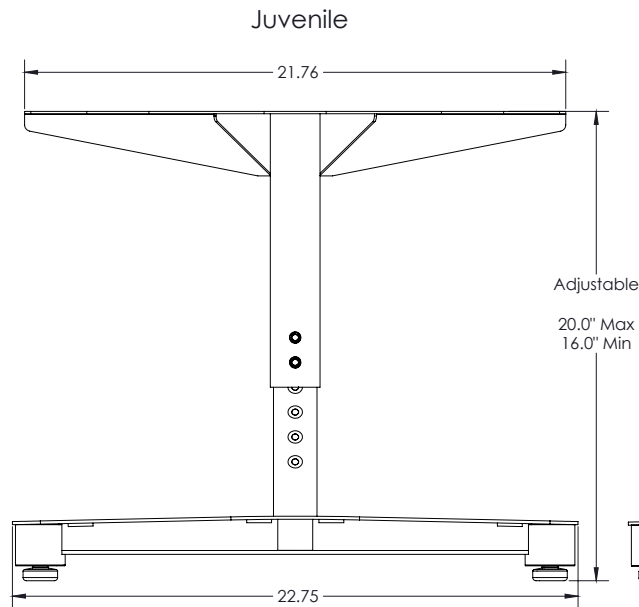
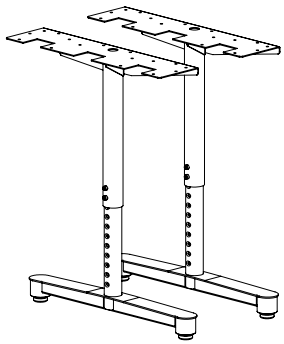


**28"-42"  
STANDING HEIGHT**

DTLT-2AS18

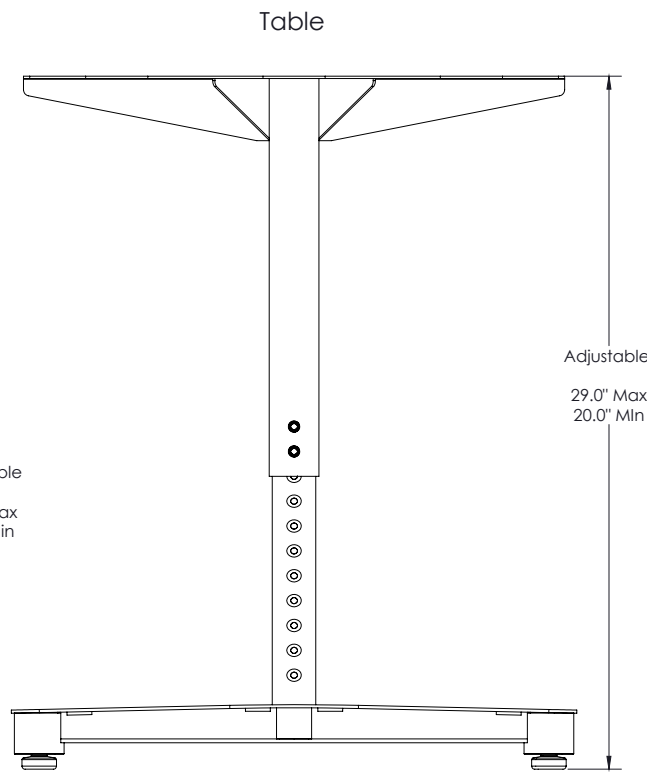
# Shape Tables

## T-Legs | 24" Spread



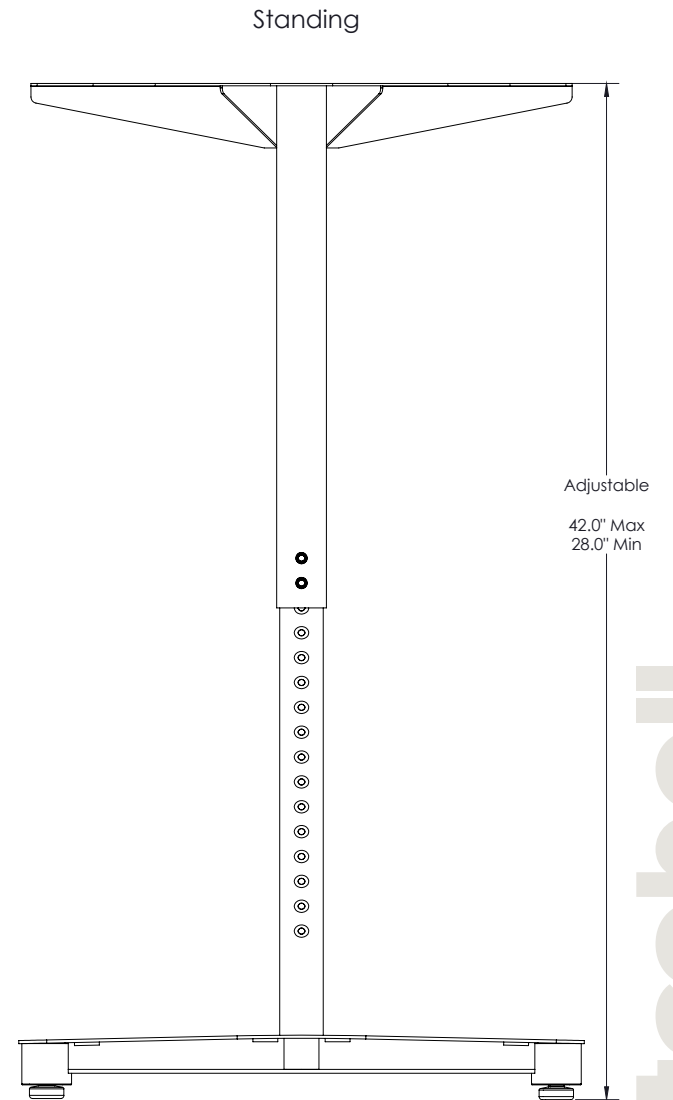
**16"-20"  
JUVENILE HEIGHT**

DTLT-2AJ24



**20"-29"  
TABLE HEIGHT**

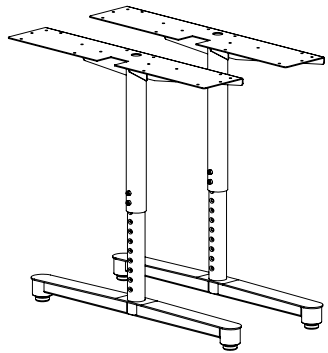
DTLT-2AT24



**28"-42"  
STANDING HEIGHT**

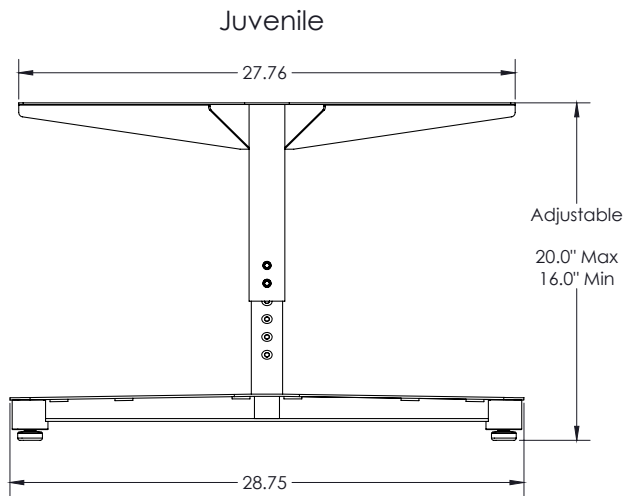
DTLT-2AS24

artcobell



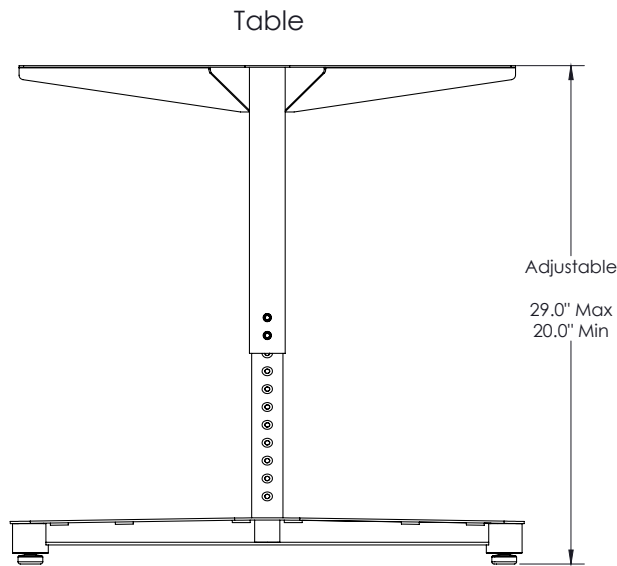
# Shape Tables

## T-Legs | 30" Spread



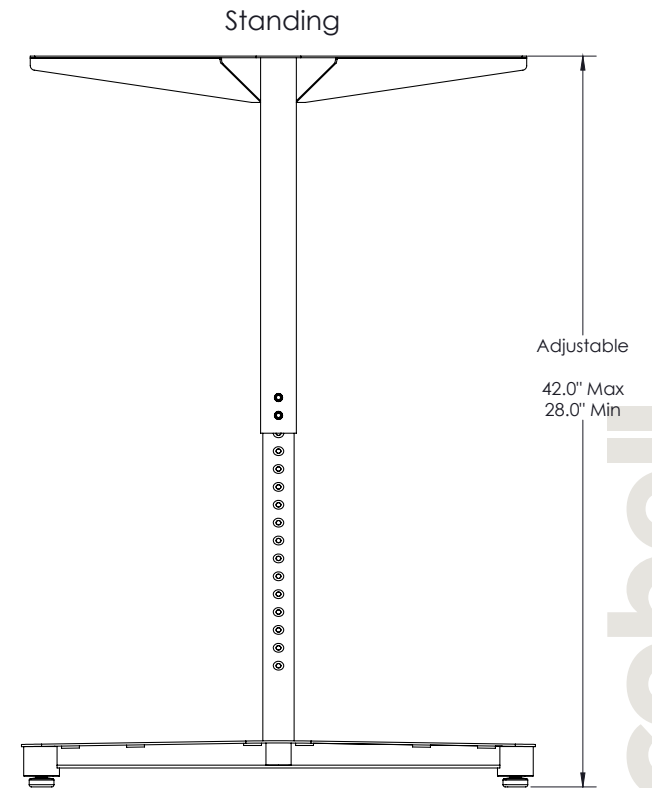
**16"-20"  
JUVENILE HEIGHT**

DTLT-2AJ30



**20"-29"  
TABLE HEIGHT**

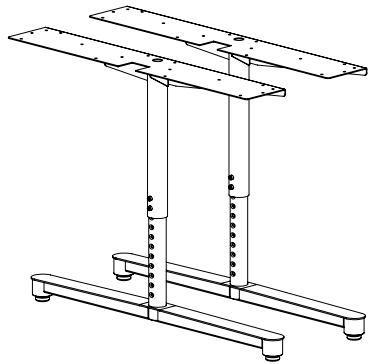
DTLT-2AT30



**28"-42"  
STANDING HEIGHT**

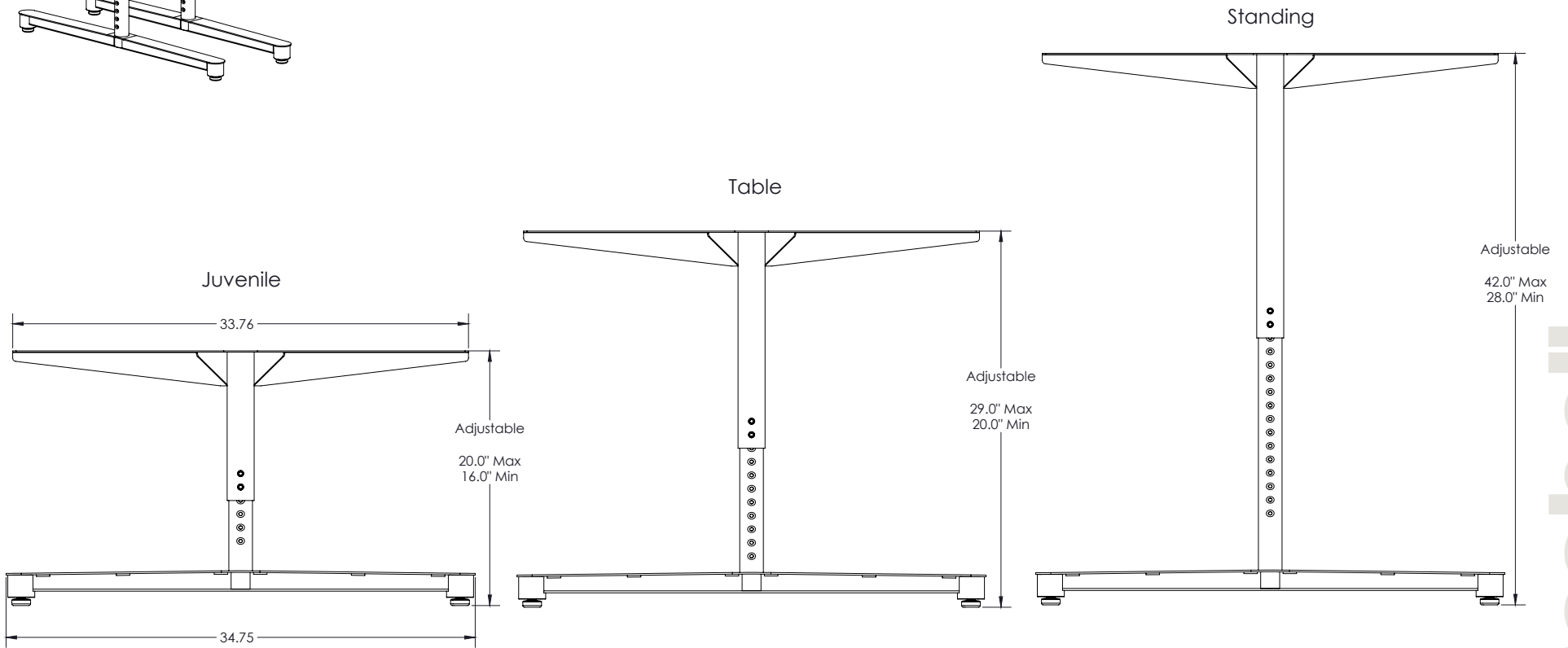
DTLT-2AS30

artcobell



# Shape Tables

## T-Legs | 36" Spread



**16"-20"  
JUVENILE HEIGHT**

DTLT-2AJ36

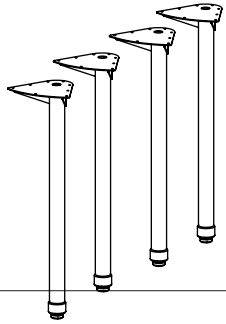
**20"-29"  
TABLE HEIGHT**

DTLT-2AT36

**28"-42"  
STANDING HEIGHT**

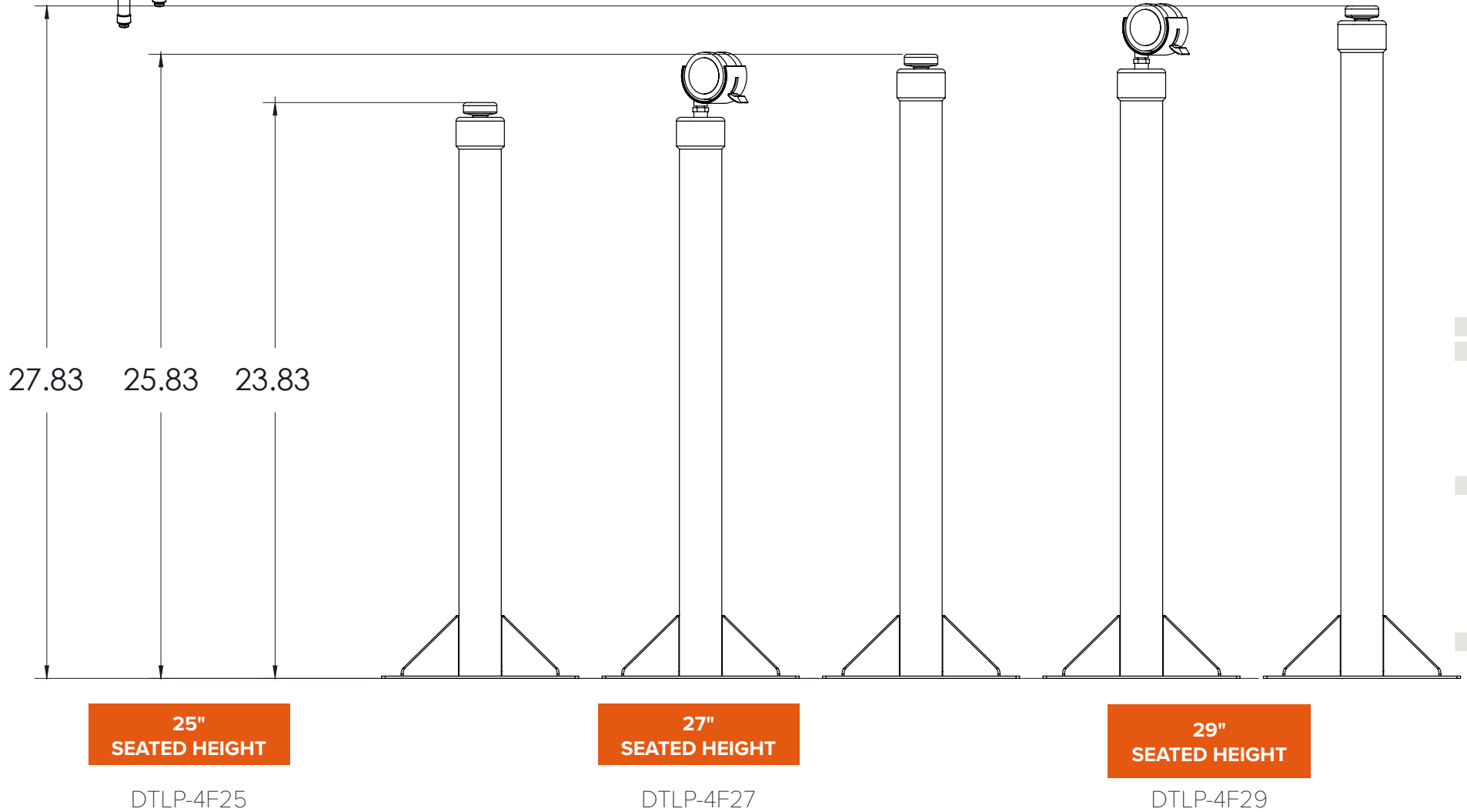
DTLT-2AS36

artcobell



# Shape Tables

## Fixed Legs



artcobell