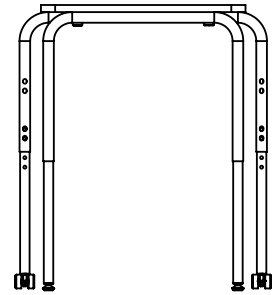


# Four Leg Stacking Desk

Four leg stacking desk with a double-curve, rectangular top (22" x 32"). All desks are standard with 22"-30" height adjustable legs. Fixed height options also available. Desk outfitted with two glides and two locking casters for easy movement.

## Particleboard Core Work Surface (E)

Work surface is constructed of 3/4" thick 45# particleboard core surfaced with high-pressure laminate (HPL) on the top surface and a resin impregnated phenolic paper backer sheet on the underside to balance construction and minimize warping. Coordinated flat vinyl edge is secured to the perimeter of the top.



## Frame Assembly | Adjustable Height Leg

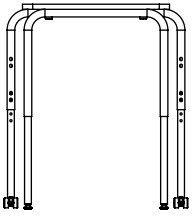
The self-standing continuous tube leg-frame is formed from two 1-1/8" 18-gauge tubular steel joined and welded to two 1-1/8" 16-gauge cross tubes that tie the legs together adding top support. Four bumpers are attached to the frame to facilitate even scratch-free stacking. Upper leg and bracket feature a powder coated paint or nickel chrome finish. Lower leg is 18-gauge tubular steel with nickel chrome finish. Lower leg adjusts in 1" increments and provides an overall height adjustment range of 22" – 30". Two (2) 5/16 – 18 X 1/2" Phillips screws secure the upper and lower legs together. Adjustable height models ship assembled with the exception of the lower legs which ship unattached within the carton for field installation.

## Glides

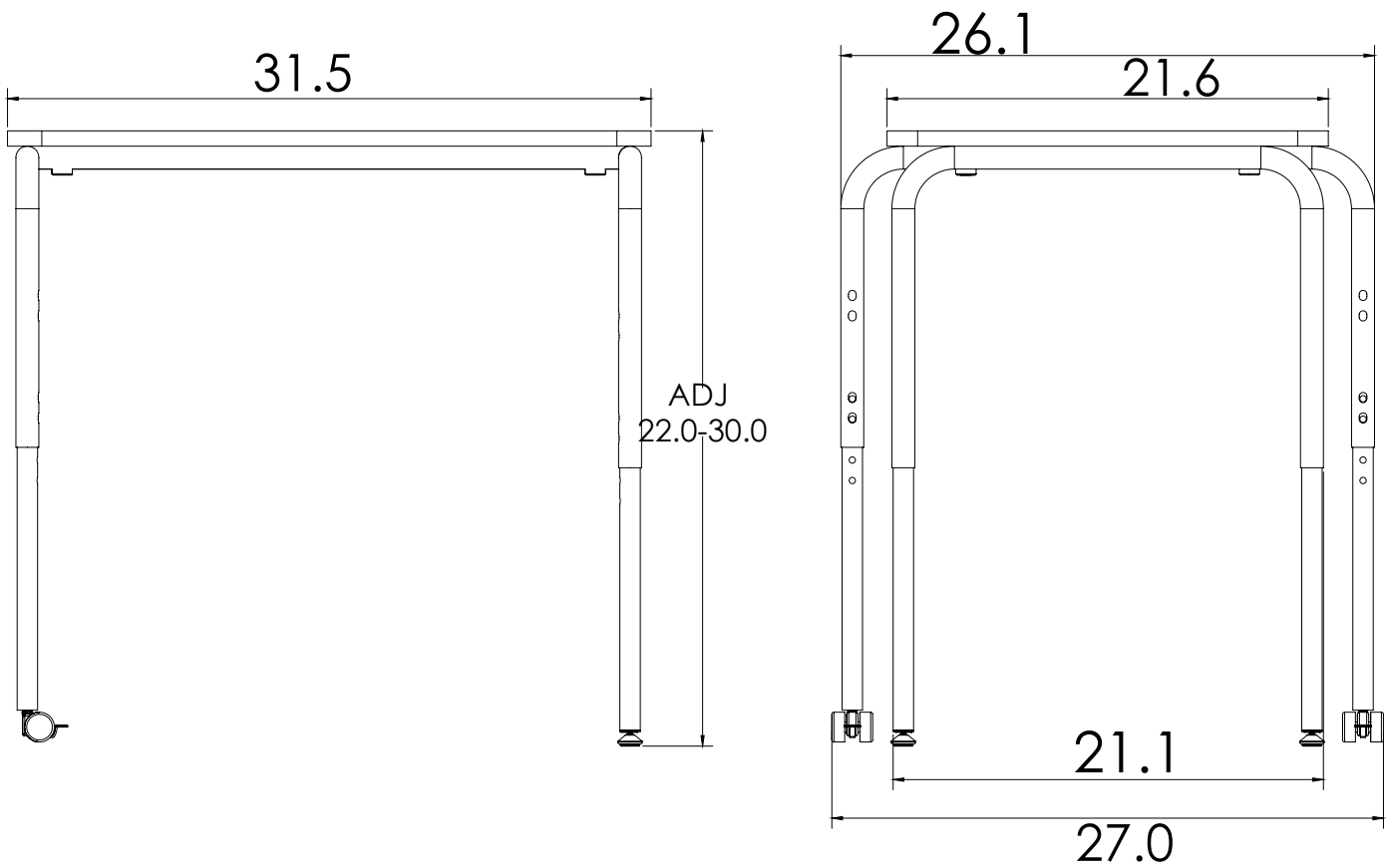
Two legs outfitted with standard swivel self-leveling glides utilize a six-star internal gripping mechanism which positively secures the glide to the inside of the leg. The "no cuff" design prevents dirt build up. Glides are available in nylon, steel or non-skid (soft rubbery base material made of elastomer/rubber/TPR). Other options include boot glides or Q-ball glides. Two legs outfitted with 37mm dual wheel locking casters. On the fixed height option, there shall be two adjustable glides and two casters in ensure a level work surface.

## Compliance

- > SCS Indoor Advantage GOLD Certified
- > Meets or exceeds applicable ANSI/BIFMA X5.5-2008 Furniture Standards



# Four Leg Stacking Desk



MODEL	WIDTH "	LENGTH "	HEIGHT "	D.B.L.*
SA2232E	22.0"	32.0"	22-30"	28.4 "

**Notes**

D.B.L — distance between legs

artcobell