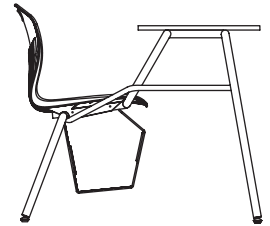


D700 Series | Four Leg Combo Desk

Discover D700 four leg combination desks are available with seat heights of 18" and shell sizes of A+ and A. Combos come standard with a bookrack.

Shell

Shell is one-piece, injection-molded polypropylene with anti-static additive. Color is dispersed across the polypropylene for an even appearance. Enhanced waterfall front edge and biometric design allows comfortable seating. Fifteen integrated wrap around ribs are provided for shell strength. Both sides of shell are textured and constructed with a handle in the upper portion of the shell with smooth edges for ease when carrying. Shell is permanently attached to the frame with six non-load bearing steel rivets.



MDF Core Work Surface

Work surface is constructed of 3/4" thick medium-density fiberboard (MDF) core surfaced with high-pressure pressure laminate (HPL) on the top surface and a resin impregnated phenolic paper backer sheet on the underside to balance construction and minimize warping. MDF has a clear edge sealed with a clear polyurethane sealant.

Solid Plastic Work Surface (S)

Top is constructed of 5/8" thickness high-impact solid work surface comprised of wood flour and melamine resin which is molded into a homogeneous unit by heat and pressure. The solid plastic work surface shall include a molded in pencil groove.

Frame

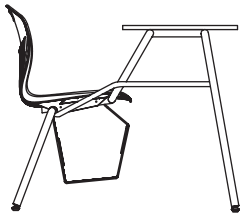
Frame is formed of 1 1/8" 16-gauge self-supporting and non-tilting tubular steel. A 1 1/8" 16-gauge tube supports the work surface. A 3/4" 16-gauge tube connects the rear legs, top brace and front legs. Seat supports are die formed of 14-gauge steel punched for concealed seat rivets. One-piece shell is supported at the intersection of the back and seat with a 14-gauge die formed saddle brace welded to the back leg assembly and riveted to the lower flanges of the shell. Frame is available in nickel chrome or powder coat finish (black or titanium); completed after welding for improved aesthetics. Wire bookrack constructed of #4 steel wire is welded to frame (D75X, D75A). D70A models are available and do not have a book rack.

Glides

Standard nylon swivel glides utilize an internal star clip. Standard swivel self-leveling glides utilize a six-star internal gripping mechanism which positively secures the glide to the inside of the leg. The "no cuff" design prevents dirt build up. Glides are available in nylon, steel or non-skid (soft rubbery base material made of elastomer/rubber/TPR). Other options include boot glides or Q-ball glides.

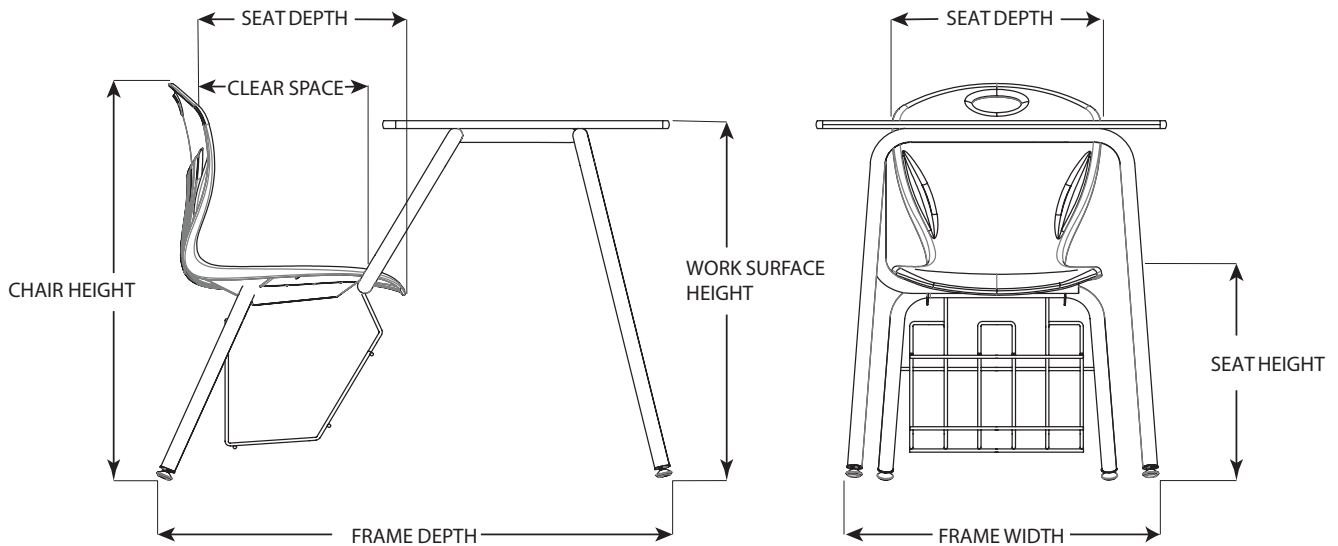
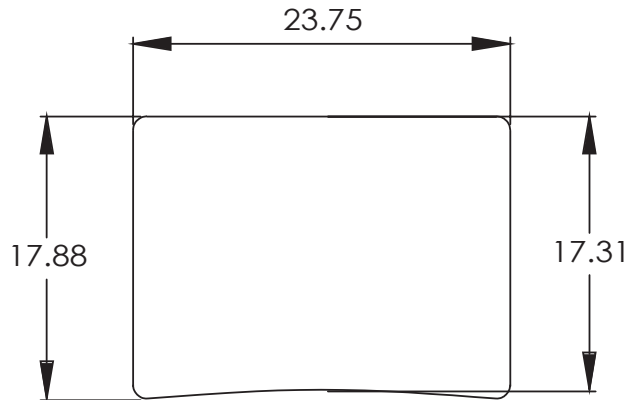
Compliance

- > Indoor Advantage™ Gold. Indoor air quality certified to SCS-EC10.3-2014
- > Tested to applicable ANSI/BIFMA Furniture Standards



D700 Series

Four Leg Combo Desk



MODEL	SHELL SIZE	SEAT HEIGHT"	SEAT WIDTH"	SEAT DEPTH"	CHAIR HEIGHT"	FRAME WIDTH"	FRAME DEPTH"	WORK SURFACE HEIGHT"	TOP WIDTH"	TOP DEPTH"	CLEAR SPACE"
D70A3	A	18.0"	16.0"	16.0"	31.0"	23.5"	33.5"	28.5"	24.0"	18.0"	16.0"
D70AS	A	18.0"	16.0"	16.0"	31.0"	23.5"	33.5"	28.5"	24.0"	18.0"	16.0"
D75A3	A	18.0"	16.0"	16.0"	31.0"	23.5"	33.5"	28.5"	24.0"	18.0"	16.0"
D75AS	A	18.0"	16.0"	16.0"	31.0"	23.5"	33.5"	28.5"	24.0"	18.0"	16.0"
D75X3	A+	18.0"	17.0"	17.5"	32.0"	23.5"	36.5"	28.5"	24.0"	18.0"	16.5"
D75XS	A+	18.0"	17.0"	17.5"	32.0"	23.5"	36.5"	28.5"	24.0"	18.0"	16.5"

artcobell