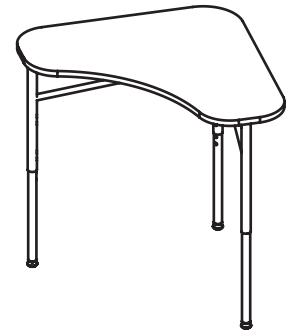


7SD Tri-Top

7SD-Series Tri-Top three leg desks feature a 28" x 28" x 36" triangular top with either 22"-30" adjustable legs (7SD3A) or fixed height of 30" (7SD3F30). Desk model also available in a high adjust option with an adjustable range from 34"-42". All desks are standard with a fixed position fully welded cross-brace that allows desks to be used with or without optional book boxes.



MDF Core Work Surface (3)

Work surface is constructed of 3/4" thick medium-density fiberboard (MDF) core surfaced with high-pressure laminate (HPL) on the top surface and a resin impregnated phenolic paper backer sheet on the underside to balance construction and minimize warping. MDF has a clear edge sealed with a clear polyurethane sealant.

Particleboard Core Work Surface (E)

Work surface is constructed of 3/4" thick 45# particleboard core surfaced with high-pressure laminate (HPL) on the top surface and a resin impregnated phenolic paper backer sheet on the underside to balance construction and minimize warping. Coordinated flat vinyl edge is secured to the perimeter of the top.

Solid Plastic Work Surface (S)

Top is constructed of 5/8" thick high-impact solid work surface comprised of wood flour and melamine resin which is molded into a homogeneous unit by heat and pressure. The solid plastic work surface shall include a molded in pencil groove.

Frame Assembly | Adjustable Height Leg

Upper leg is 15-3/4" long and constructed with 1-1/8" diameter 18-gauge tubular steel welded to a 12-gauge top mounting plate. Mounting plates are secured to the top using nine (9) #12 x 3/4" screws. Upper leg and bracket feature a powder coated paint or nickel chrome finish. Lower leg is 18-gauge tubular steel with nickel chrome finish. Lower leg adjusts in 1" increments and provides an overall height adjustment range of 22" – 30". Two (2) 5/16 – 18 X 1/2" Phillips screws secure the upper and lower legs together. A fully welded fixed position cross-brace secures all legs and provides 5.5" of clearance to allow mounting of book box accessories. The cross-brace is a 3/4" diameter 18-gauge steel tube that is fully welded to each leg. Adjustable height models ship assembled with the exception of the lower legs which ship unattached within the carton for field installation.

Frame Assembly | Fixed Legs

Leg assembly is comprised of three single piece legs with mounting brackets and cross-brace. Legs are 1-1/8" diameter, 18-gauge steel tube and finished with powder coat paint. Legs are designed for an overall fixed top height of 30". Legs are welded to a 12-gauge top mounting plate. Mounting plate is secured to the top using nine (9) #12 x 3/4" screws. A fully welded fixed position cross-brace secures all legs. The cross-brace is a 3/4" diameter 18-gauge steel tube that is fully welded to each leg. Fixed height models ship fully assembled.

Glides

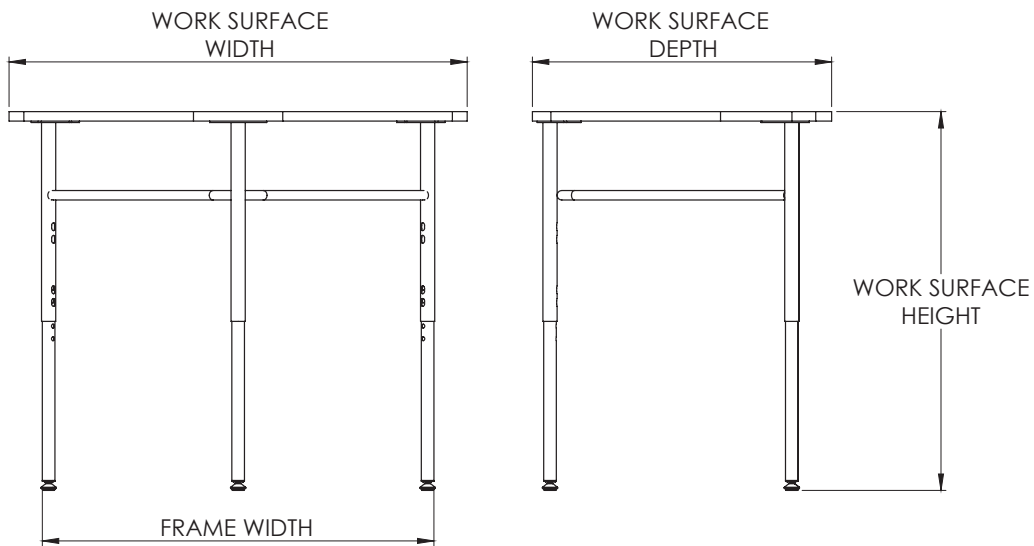
Standard swivel self-leveling glides utilize a six-star internal gripping mechanism which positively secures the glide to the inside of the leg. The "no cuff" design prevents dirt build up. Glides are available in nylon, steel or non-skid (soft rubbery base material made of elastomer/rubber/TPR). Other options include boot glides or Q-ball glides.

Compliance

- > Indoor Advantage™ Gold. Indoor air quality certified to SCS-EC10.3-2014
- > Tested to applicable ANSI/BIFMA Furniture Standards



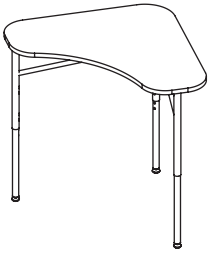
7SD Tri-Top Adjustable Leg



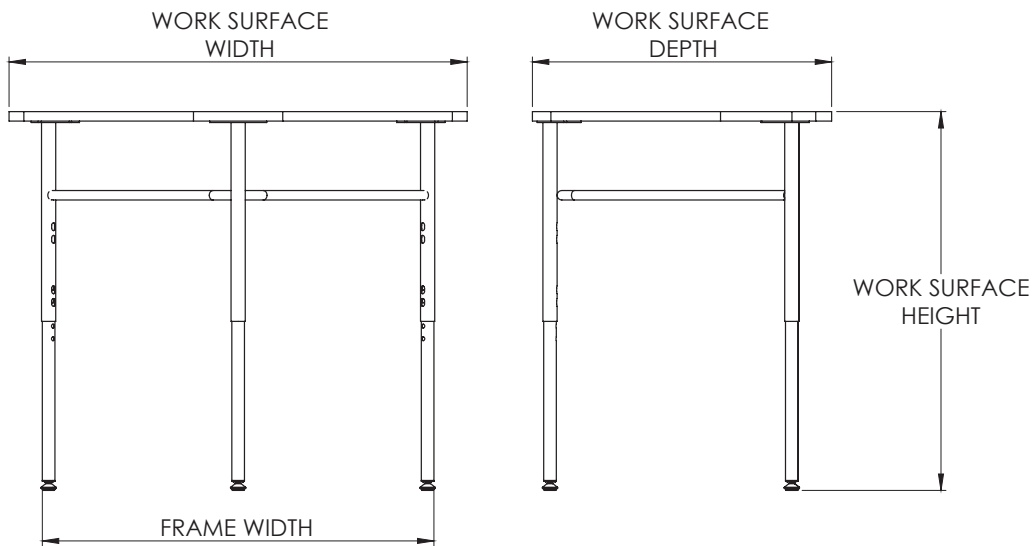
MODEL	FRAME WIDTH"	FRAME DEPTH"	HEIGHT"	D.B.L.*	TOP WIDTH"	TOP DEPTH"
7SD3A3	31.85"	20.7"	22" - 30"	29.5"	36.0"	24.0"
7SD3AE	31.85"	20.7"	22" - 30"	29.5"	36.0"	24.0"
7SD3AS	31.85"	20.7"	22" - 30"	29.5"	36.0"	24.0"
7SD3H3	31.85"	20.7"	34" - 42"	29.5"	36.0"	24.0"
7SD3HE	31.85"	20.7"	34" - 42"	29.5"	36.0"	24.0"
7SD3HS	31.85"	20.7"	34" - 42"	29.5"	36.0"	24.0"

Notes

D.B.L. — distance between legs



7SD Tri-Top Fixed Leg



MODEL	FRAME WIDTH"	FRAME DEPTH"	HEIGHT"	D.B.L.*	TOP WIDTH"	TOP DEPTH"
7SD3F303	31.85"	20.7"	Fixed 30"	29.50"	28.0"	28.0"
7SD3F30E	31.85"	20.7"	Fixed 30"	29.50"	28.0"	28.0"
7SD3F30S	31.85"	20.7"	Fixed 30"	29.50"	28.0"	28.0"

Notes

D.B.L. — distance between legs



7SD Tri-Top

Accessories



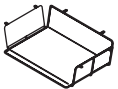
Translucent Polypropylene Book Box (TA-BBP17)

Injection-molded clear kostrate edge ME plastic. Attaches to the underside of laminate work surfaces with #10 x 5/8" pan head wood screws or #10-16 x 5/8" type 25 self-tapping screws for use with solid plastic tops. Exterior dimensions of 17.13" W x 13.25" D x 5.50" H. Refer to price list for compatibility by model.



Wire Frame Book Box (TA-BBW15)

Constructed of #4 steel wire with a nickel chrome finish. Attaches to the underside of laminate work surfaces with #10 x 5/8" pan head wood screws or #10-16 x 1/2" type 25 self-tapping screws for use with solid plastic tops. Exterior dimensions of 15.00" W x 13.25" D x 5.25" H. Refer to price list for compatibility by model.



Perforated Metal Book Box (TA-BBM16, TA-BBM22)

Constructed of #4 steel wire and 20-gauge perforated steel with a powder coat paint finish. Attaches to the underside of laminate work surfaces with #10 x 5/8" pan head wood screws or #10-16 x 1/2" type 25 self-tapping screws for use with solid plastic tops. Exterior dimensions of 21.75" W x 14.25" D x 5.25" H (Large) or 16.00" W x 13.25" D x 5.25" H (Small). Refer to price list for compatibility by model.



Full Metal Book Box (TA-BBM16)

Deep drawn 16-gauge steel with a powder coat paint finish. Attaches to the underside of laminate work surfaces with #10 x 5/8" pan head wood screws or #10-16 x 1/2" type 25 self-tapping screws for use with solid plastic tops. Exterior dimensions of 17.50" W x 14.00" D x 5.13" H



Backpack Hook (TA-BPH)

Constructed of #4 steel wire and 14-gauge mounting plate with a nickel chrome finish. Attaches to the underside of laminate work surfaces with #10 x 5/8" pan head wood screws or #10-16 x 1/2" type 25 self-tapping screws for use with solid plastic tops. Exterior dimensions of 2.25" W x 1.25" D x 2.35" H. Refer to price list for compatibility by model.